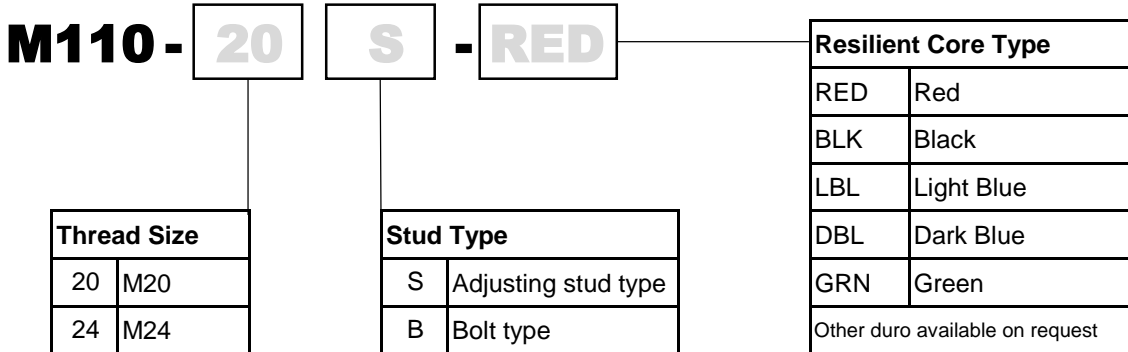


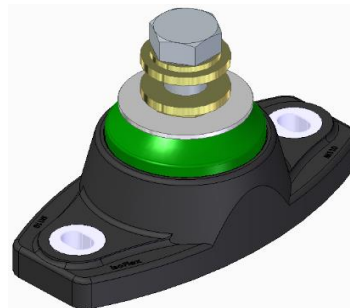
ISO FLEX MOUNT DATA SHEET - M110



Base: Black - 75 SDH-D
 Metal components a combination of marine alloy, stainless steel and components zinc plated to ASTM B633 Type II SC3



Mount model M110-20S or M110-24S



Mount model M110-20B or M110-24B

WEIGHT:

Model	Metric (kg)	Imperial (lb)
M110-20S	2.0	4.4
M110-24S	2.4	5.3
M110-20B	1.8	4.0
M110-24B	2.0	4.4

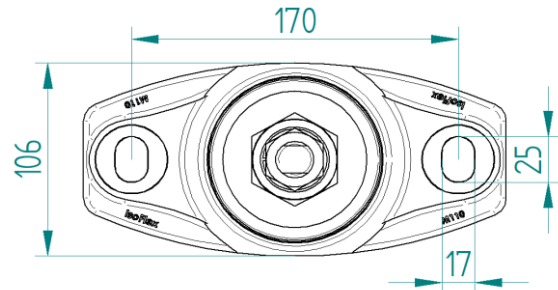
SPECIFICATION:

	Metric (kg)	Imperial (lb)
Recommended working load per mount	75-350	165-770

ISOFLEX MOUNT DATA SHEET - M110

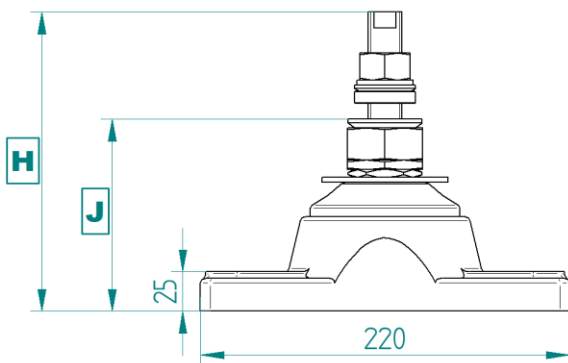
COMMON DIMENSIONS :

	Metric (mm)	Imperial (in)
Base length	220	8.66
Base width	106	4.17
Base bolt centres	170	6.69
Base thickness	25	0.98
Base bolt size	M16	5/8

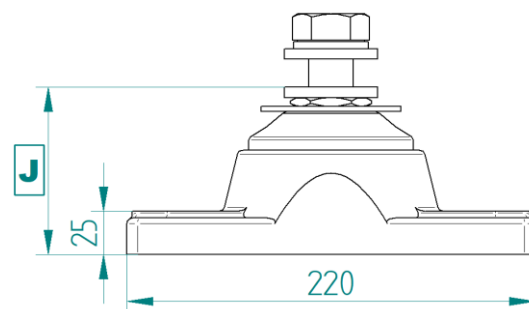


MODEL SPECIFIC DIMENSIONS :

Model	Overall Height (H)		Min Free Height (J)		Height Adjustment (J)	
	(mm)	(in)	(mm)	(in)	(mm)	(in)
M110-20S	190	7.48	122	4.80	10	0.39
M110-24S	214	8.43	122	4.80	10	0.39
M110-20B	-	-	93	3.66	-	-
M110-24B	-	-	96	3.78	-	-



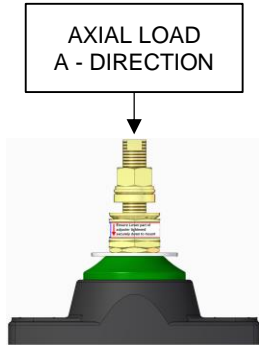
Mount model M110-20S or M110-24S



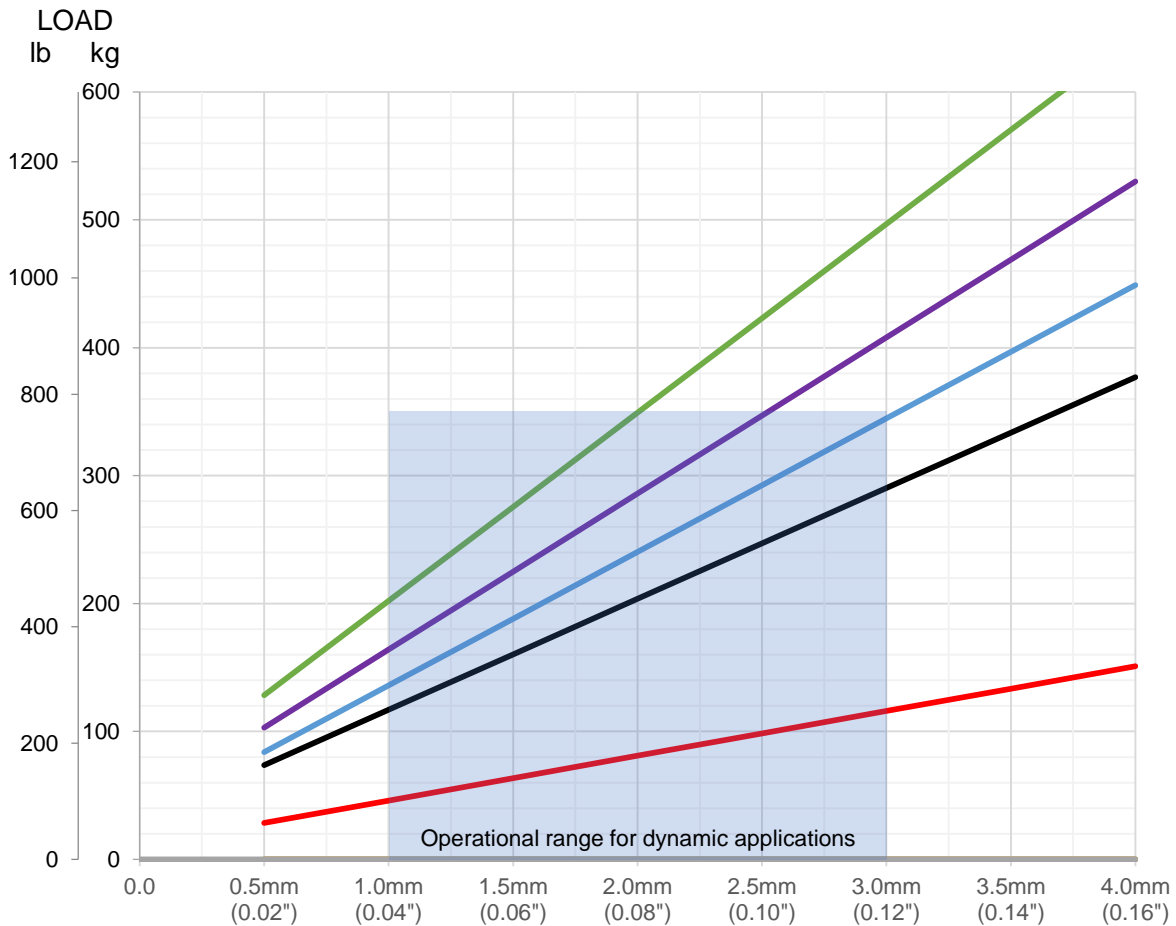
Mount model M110-20B or M110-24B

ISOFLEX MOUNT DATA SHEET - M110

Loading Type: Axial - Vertical Down (A-direction)



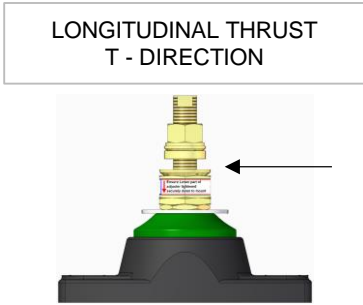
Resilient Core Colour	Spring Rate at 2mm	
	(kg/cm)	(lb/in)
Red	350	1960
Black	865	4845
Light Blue	1045	5850
Dark Blue	1220	6830
Green	1475	8260



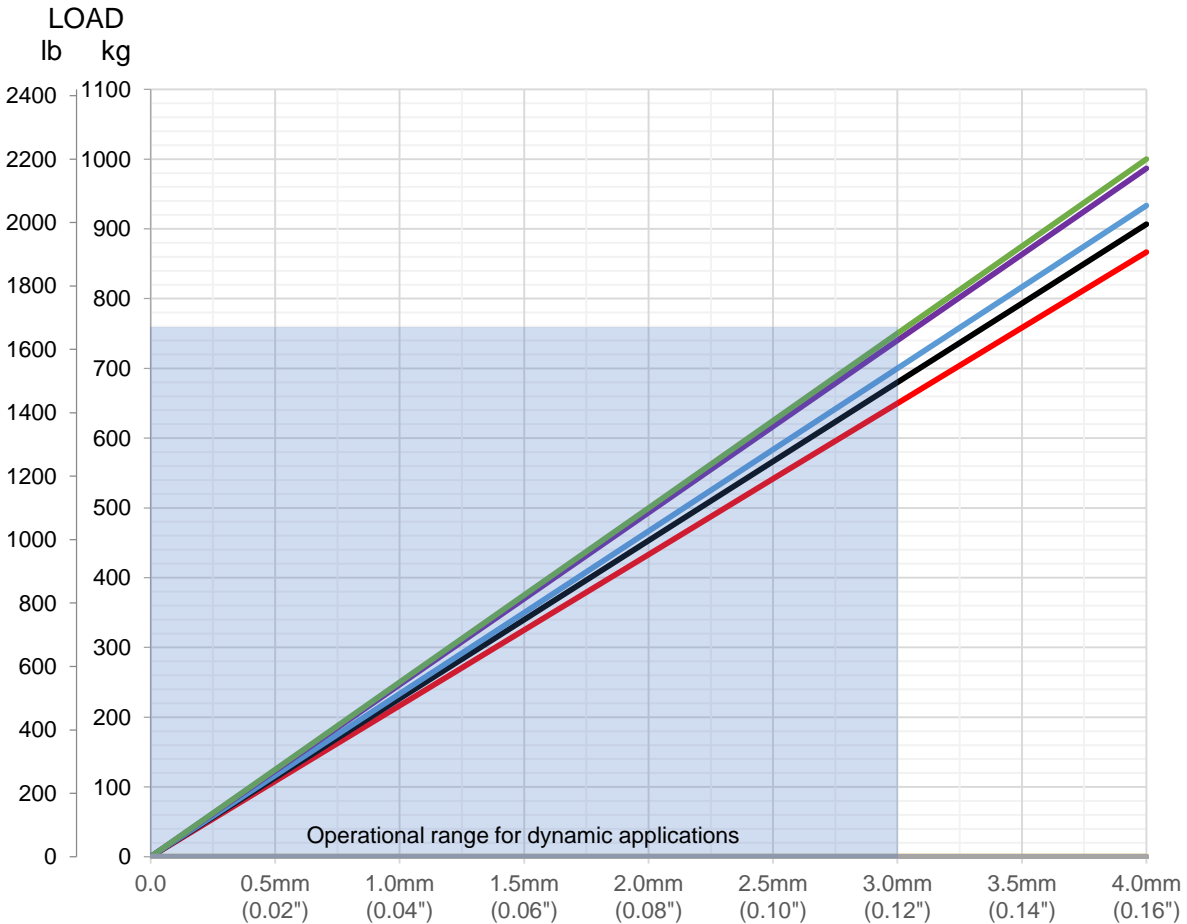
Graph: Static Axial Vertical Load [kg] (lb) versus Deflection [mm] (in)

ISOFLEX MOUNT DATA SHEET - M110

Loading Type: Longitudinal Thrust (T-direction)



Resilient Core Colour	Spring Rate at 2mm	
	(kg/cm)	(lb/in)
Red	2165	12125
Black	2265	12685
Light Blue	2335	13075
Dark Blue	2465	13805
Green	2500	14000

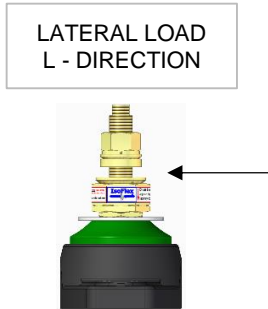


Graph: Static Longitudinal Load [kg] (lb) versus Deflection [mm] (in)

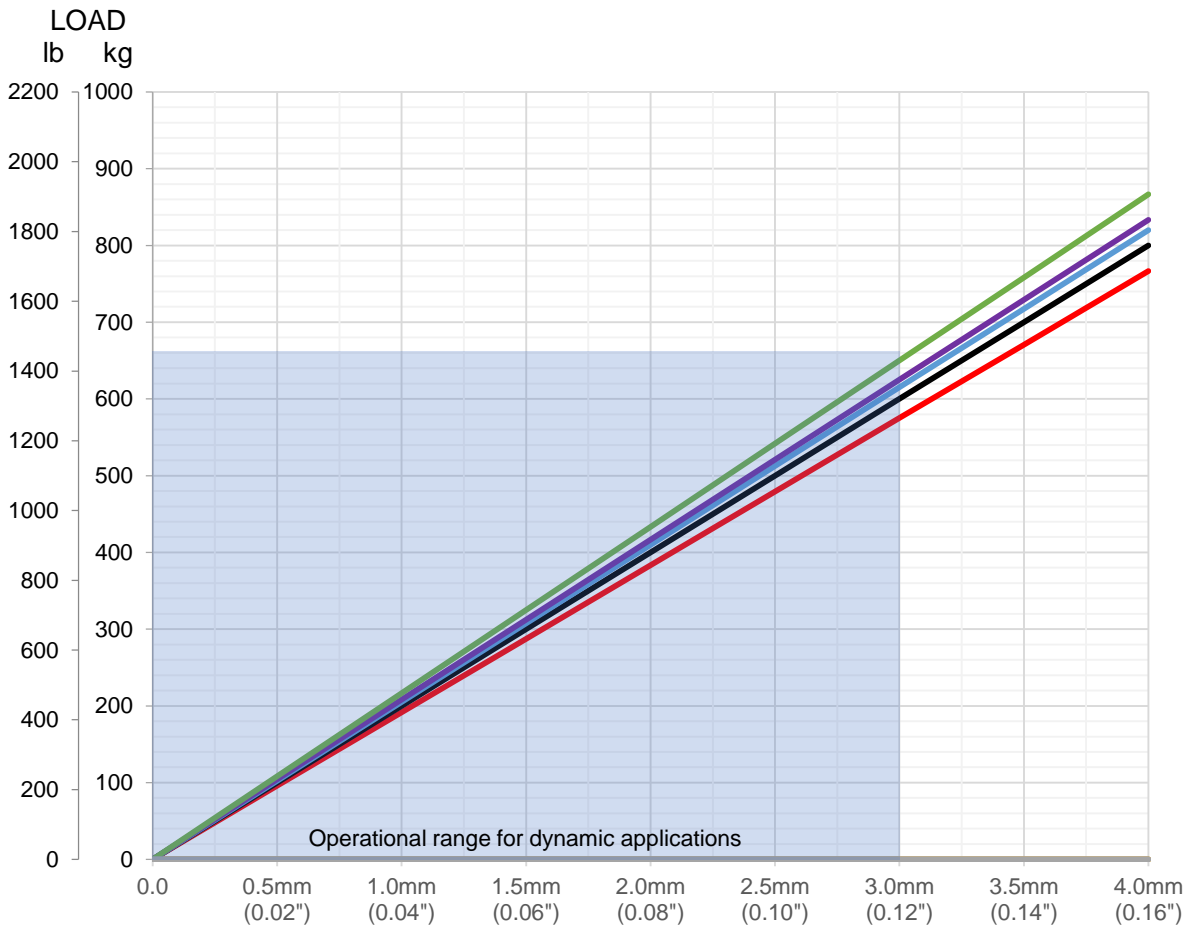
Note: Stated spring rate with 2.5mm axial compression simulation load

ISOFLEX MOUNT DATA SHEET - M110

Loading Type: Lateral (L-direction)



Resilient Core Colour	Spring Rate at 2mm	
	(kg/cm)	(lb/in)
Red	1915	10725
Black	2000	11200
Light Blue	2050	11480
Dark Blue	2085	11675
Green	2165	12125



Graph: Static Lateral Load [kg] (lb) versus Deflection [mm] (in)

Note: Stated spring rate with 2.5mm axial compression simulation load