



# IsoFlex Technologies Pty Ltd.

Unit 33, 75 Waterway Drive, Gold Coast Marine Precinct, Coomera, Queensland, Australia. 4209  
 Ph: 1300 366 393 Ph: 07 555 60 924 F: 07 555 60 984 Int prefix: 617  
 Email: info@isoflex.com.au  
 Home Page: www.isoflex.com.au

## IsoFlex Mount Data Sheet

### Loading Type:

**Axial - Vertical Down (A-direction)**

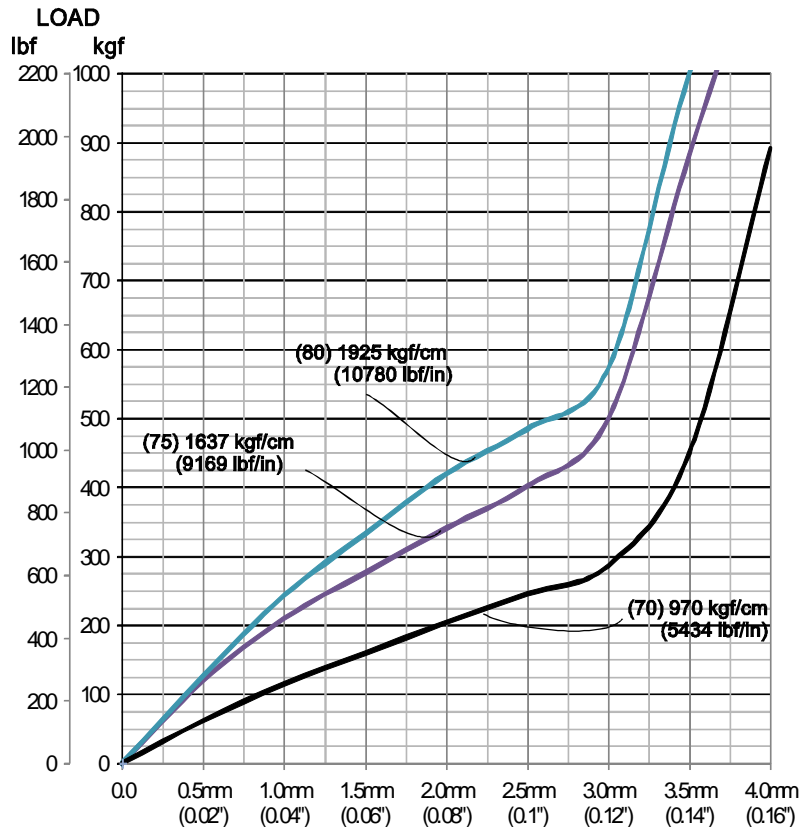
### Mount Model: M125HD-24B

'M125' = model number  
 'HD' = Heavy Duty  
 '24' = thread size  
 'B' = bolt type

Resilient Element Colour	Shore Durometer Hardness A-scale SDH-A
Yellow	50
Red	60
Black	70
Royal Blue	75
Green	80
Grey	90

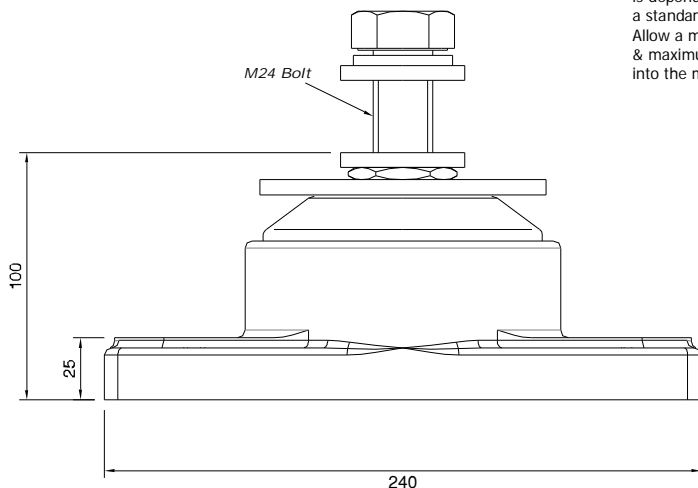
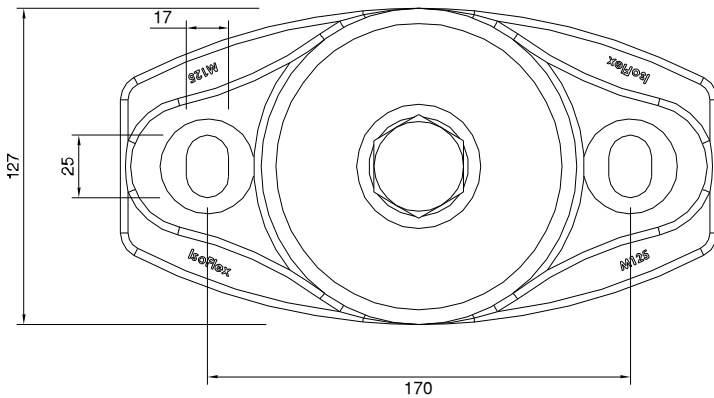
**Base:** Black - 75 SDH-D

All metal components zinc plated to ASTM B633 SC3



Graph 1: Static Axial Vertical Load [kg] (A-direction) versus Deflection [mm] (ins)  
 Data shown: (x) = SDH-A Hardness  
 kg/cm = Spring Rate

Note: Stated Spring Rate average @ 3mm



Note: As the bolt length required is dependent on the application, a standard length bolt is supplied. Allow a minimum of 1x bolt dia & maximum of 1.5x bolt dia into the mount.



Drawing Number: DSA-M125HD-24B Rev2  
 Drawn: WF Date: 20 April 2012

Copyright © 2012 IsoFlex Technologies Pty Ltd.

Specifications are subject to change without notice.



# IsoFlex Technologies Pty Ltd.

Unit 33, 75 Waterway Drive, Gold Coast Marine Precinct, Coomera, Queensland, Australia. 4209  
 Ph: 1300 366 393 Ph: 07 555 60 924 F: 07 555 60 984 Int prefix: 617  
 Email: info@isoflex.com.au  
 Home Page: www.isoflex.com.au

## IsoFlex Mount Data Sheet

### Loading Type:

**Longitudinal Thrust (T-direction)**

### Mount Model: M125HD-24B

'M125' = model number  
 'HD' = Heavy Duty  
 '24' = thread size  
 'B' = bolt type

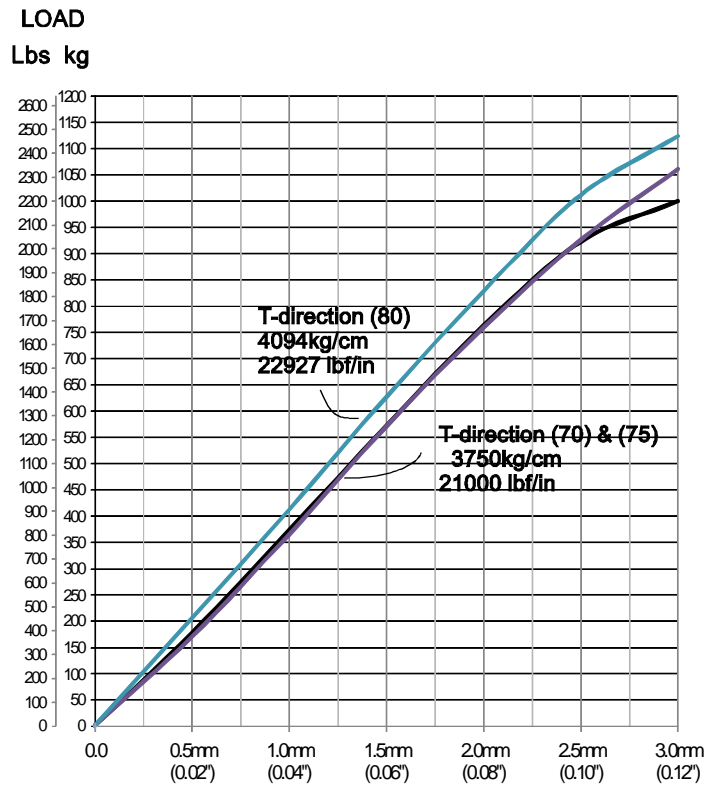
Resilient Element Colour	Shore Durometer Hardness A-scale SDH-A
Yellow	50
Red	60
Black	70
Royal Blue	75
Green	80
Grey	90

**Base:** Black - 75 SDH-D

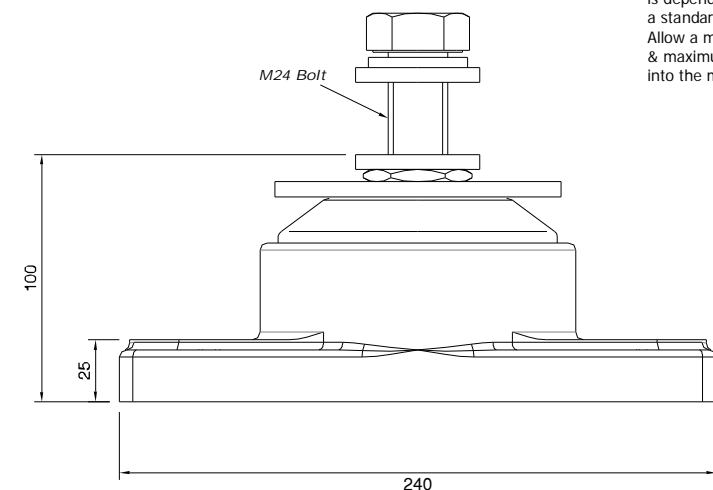
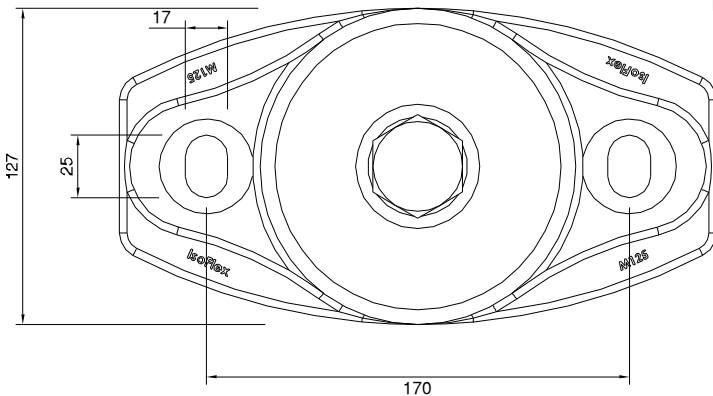
All metal components zinc plated to ASTM B633 SC3

### Graph:

**Static Longitudinal Thrust Load (T-direction) versus Deflection [mm] (ins)**



Note: Stated Spring Rate average @ 2mm



Note: As the bolt length required is dependent on the application, a standard length bolt is supplied. Allow a minimum of 1x bolt dia & maximum of 1.5x bolt dia into the mount.



Drawing Number: DST-M125HD-24B [R1]  
 Drawn: WF Date: 19 June 2012

Copyright © 2012 **IsoFlex Technologies Pty Ltd.**

Specifications are subject to change without notice.

Dimensions in millimetres (mm.) - unless stated otherwise



# IsoFlex Technologies Pty Ltd.

Unit 33, 75 Waterway Drive, Gold Coast Marine Precinct, Coomera, Queensland, Australia. 4209  
 Ph: 1300 366 393 Ph: 07 555 60 924 F: 07 555 60 984 Int prefix: 617  
 Email: info@isoflex.com.au  
 Home Page: www.isoflex.com.au

## IsoFlex Mount Data Sheet

### Loadings:

#### Lateral Thrust (L-direction)

#### Mount Model: M125HD-24B

- 'M125' = model number
- 'HD' = Heavy Duty
- '24' = thread size
- 'S' = Bolt type

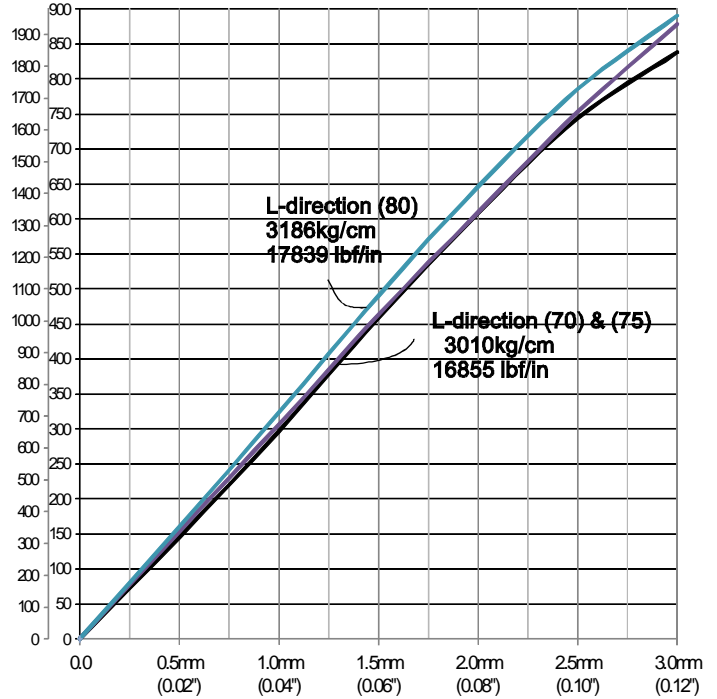
Resilient Element Colour	Shore Durometer Hardness A-scale SDH-A
Yellow	50
Red	60
Black	70
Royal Blue	75
Green	80
Grey	90

**Base:** Black - 75 SDH-D

All metal components zinc plated to ASTM B633 SC3

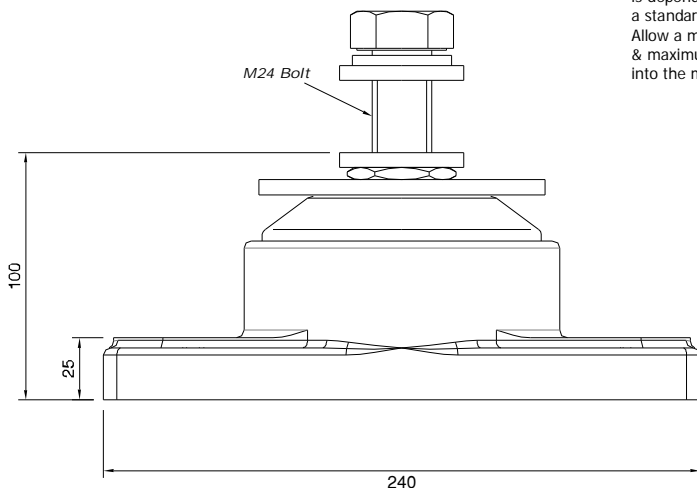
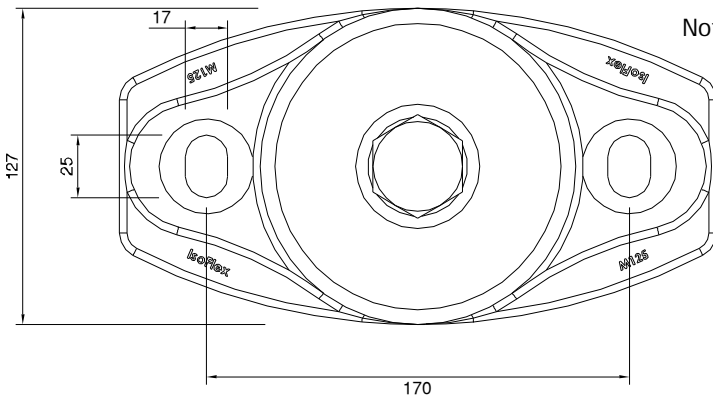
### LOAD

Lbs kg



**Graph:**  
 Static Lateral Load[kg] (L-direction) versus Deflection[mm] (ins)

Note: Stated Spring Rate average @ 2mm



Note: As the bolt length required is dependent on the application, a standard length bolt is supplied. Allow a minimum of 1x bolt dia & maximum of 1.5x bolt dia into the mount.



Lateral LOAD  
 L-direction

Drawing Number: DSL-M125HD-24B [R1]  
 Drawn: WF Date: 20 June 2012

Copyright © 2012 IsoFlex Technologies Pty Ltd.

Specifications are subject to change without notice.

Dimensions in millimetres (mm.) - unless stated otherwise