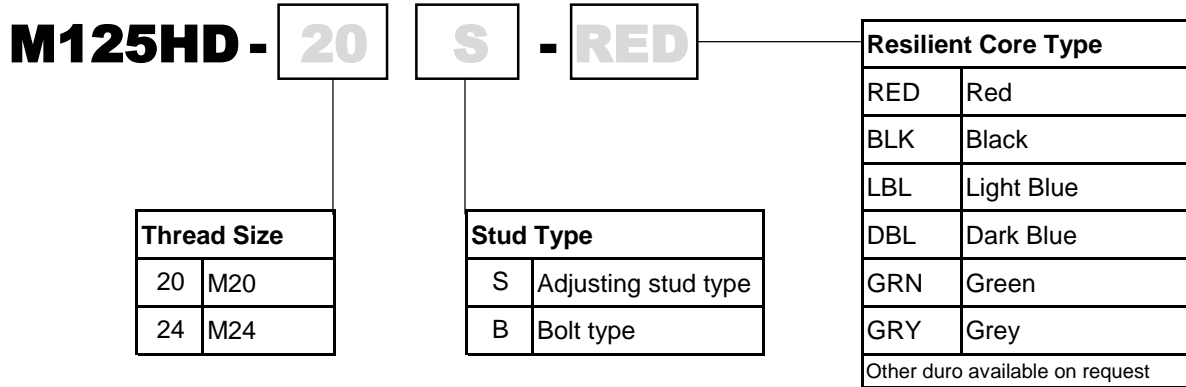
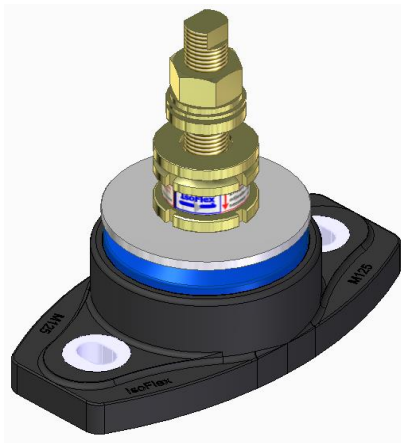


## ISOFLEX MOUNT DATA SHEET - M125HD

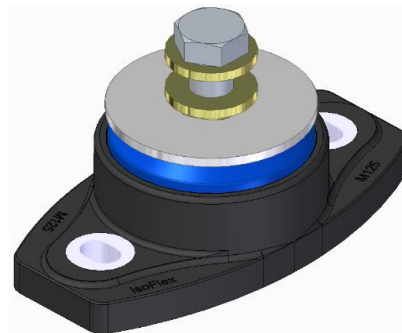


**Base:** Black - 75 SDH-D

Metal components a combination of marine alloy, stainless steel and components zinc plated to ASTM B633 Type II SC3



Mount model M125HD-20S or M125HD-24S



Mount model M125HD-20B or M125HD-24B

### WEIGHT:

Model	Metric (kg)	Imperial (lb)
M125HD-20S	2.4	5.3
M125HD-24S	3.2	7.0
M125HD-20B	2.2	4.8
M125HD-24B	2.2	4.8

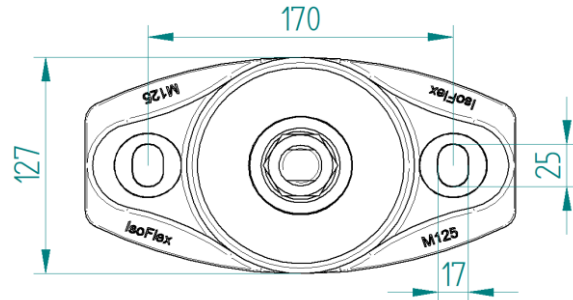
### SPECIFICATION:

	Metric (kg)	Imperial (lb)
Recommended working load per mount	250-750	550-1650

## ISOFLEX MOUNT DATA SHEET - M125HD

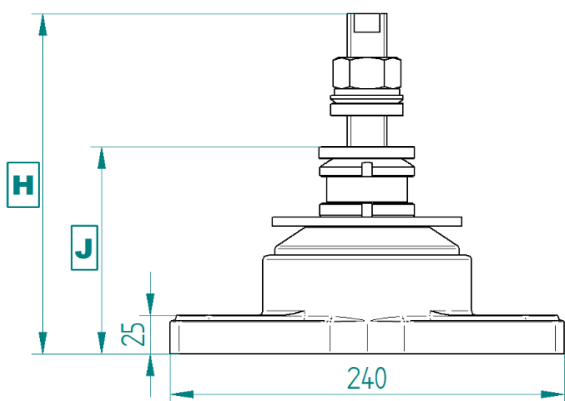
### COMMON DIMENSIONS :

	Metric (mm)	Imperial (in)
Base length	240	9.45
Base width	127	5.00
Base bolt centres	170	6.69
Base thickness	25	0.98
Base bolt size	M16	5/8

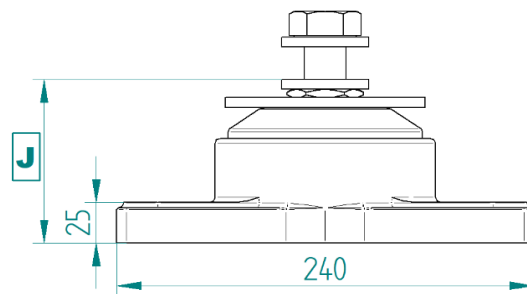


### MODEL SPECIFIC DIMENSIONS :

Model	Overall Height (H)		Min Free Height (J)		Height Adjustment (J)	
	(mm)	(in)	(mm)	(in)	(mm)	(in)
M125HD-20S	196	7.72	134	5.28	10	0.39
M125HD-24S	220	8.66	134	5.28	10	0.39
M125HD-20B	-	-	97	3.82	-	-
M125HD-24B	-	-	100	3.94	-	-



Mount model M125HD-20S or M125HD-24S



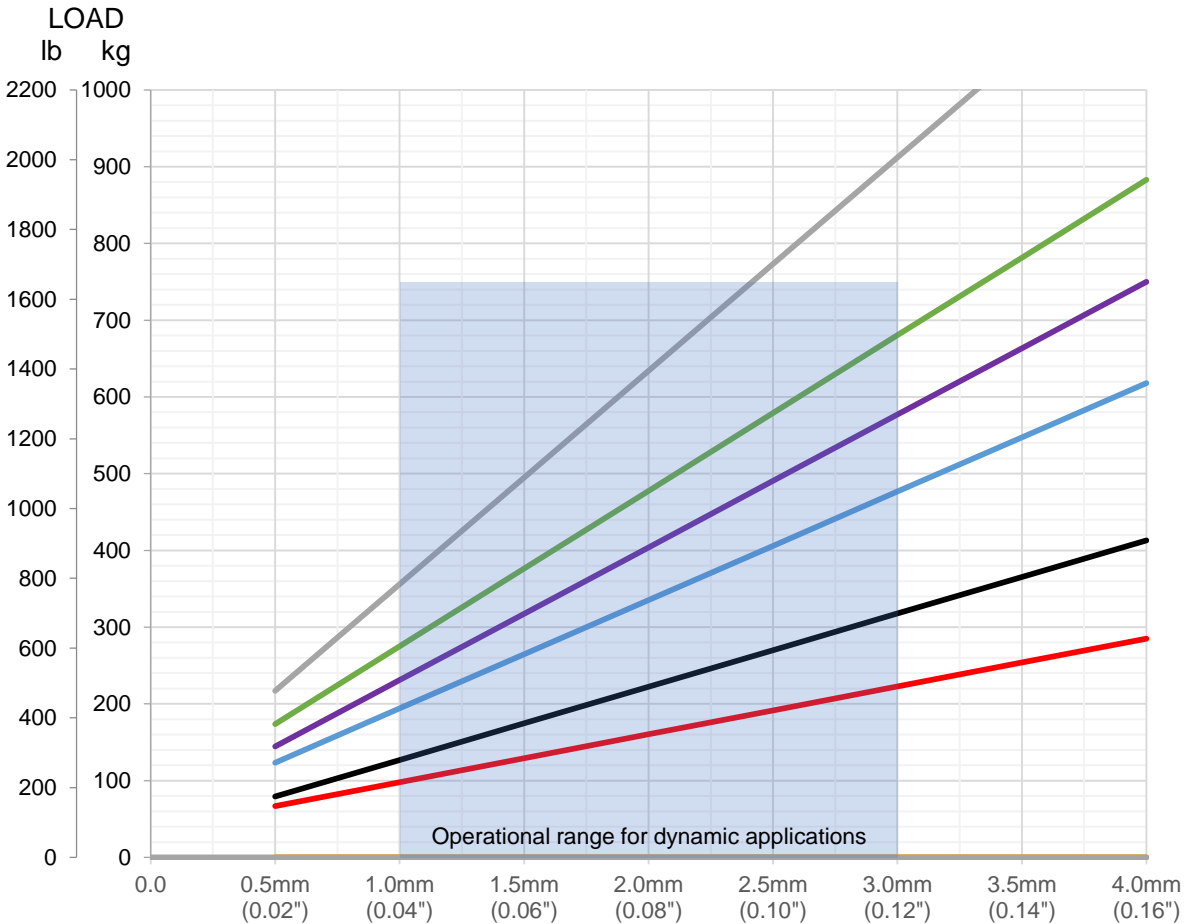
Mount model M125HD-20B or M125HD-24B

# ISOFLEX MOUNT DATA SHEET - M125HD

## Loading Type: Axial - Vertical Down (A-direction)



Resilient Core Colour	Spring Rate at 2mm	
	(kg/cm)	(lb/in)
Red	625	3500
Black	955	5350
Light Blue	1415	7925
Dark Blue	1730	9690
Green	2025	11340
Grey	2780	15570

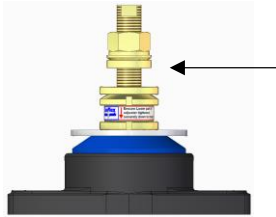


Graph: Static Axial Vertical Load [kg] (lb) versus Deflection [mm] (in)

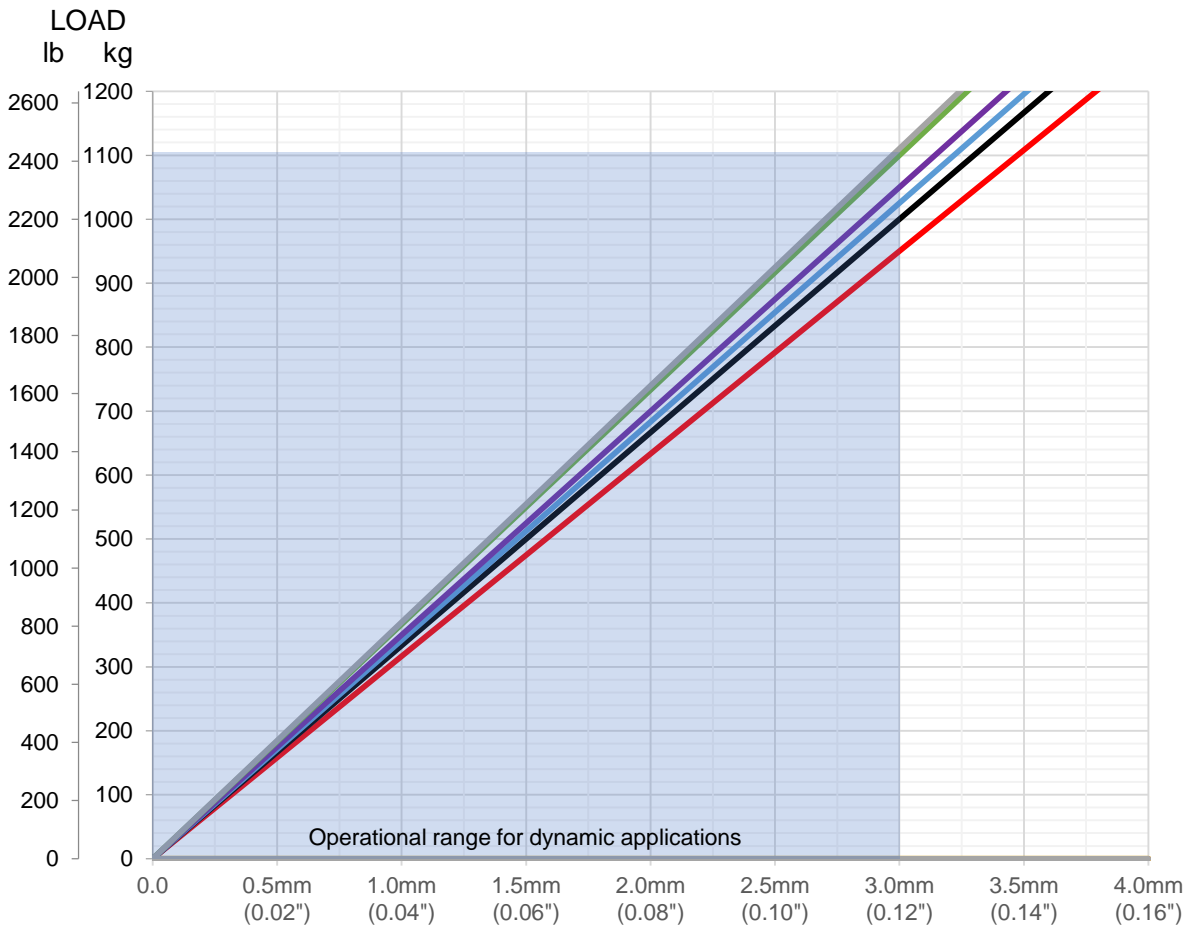
# ISOFLEX MOUNT DATA SHEET - M125HD

## Loading Type: Longitudinal Thrust (T-direction)

LONGITUDINAL THRUST  
T - DIRECTION



Resilient Core Colour	Spring Rate at 2mm	
	(kg/cm)	(lb/in)
Red	3165	17725
Black	3335	18675
Light Blue	3415	19125
Dark Blue	3500	19600
Green	3665	20525
Grey	3700	20720

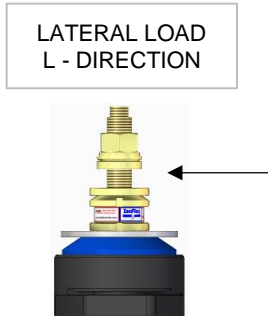


**Graph: Static Longitudinal Load [kg] (lb) versus Deflection [mm] (in)**

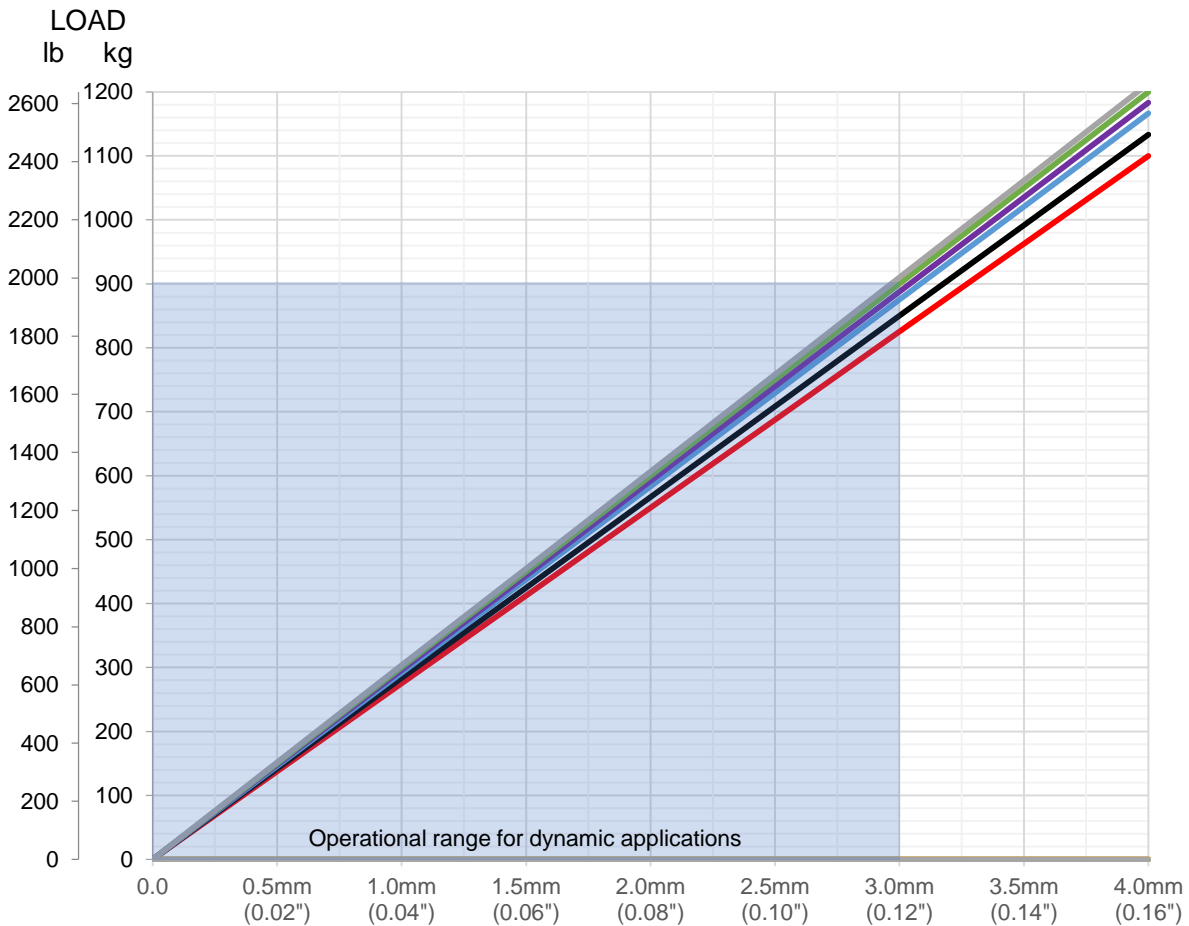
Note: Stated spring rate with 2.5mm axial compression simulation load

# ISOFLEX MOUNT DATA SHEET - M125HD

## Loading Type: Lateral (L-direction)



Resilient Core Colour	Spring Rate at 2mm	
	(kg/cm)	(lb/in)
Red	2750	15400
Black	2835	15875
Light Blue	2915	16325
Dark Blue	2960	16575
Green	3000	16800
Grey	3035	16995



**Graph: Static Lateral Load [kg] (lb) versus Deflection [mm] (in)**

Note: Stated spring rate with 2.5mm axial compression simulation load