



# IsoFlex Technologies Pty Ltd.

Unit 33, 75 Waterway Drive, Gold Coast Marine Precinct, Coomera, Queensland, Australia. 4209  
 Ph: 1300 366 393 Ph: 07 555 60 924 F: 07 555 60 984 Int prefix: 617  
 Email: info@isoflex.com.au  
 Home Page: www.isoflex.com.au

## IsoFlex Mount Data Sheet

### Loading Type:

#### Axial - Vertical Down (A-direction)

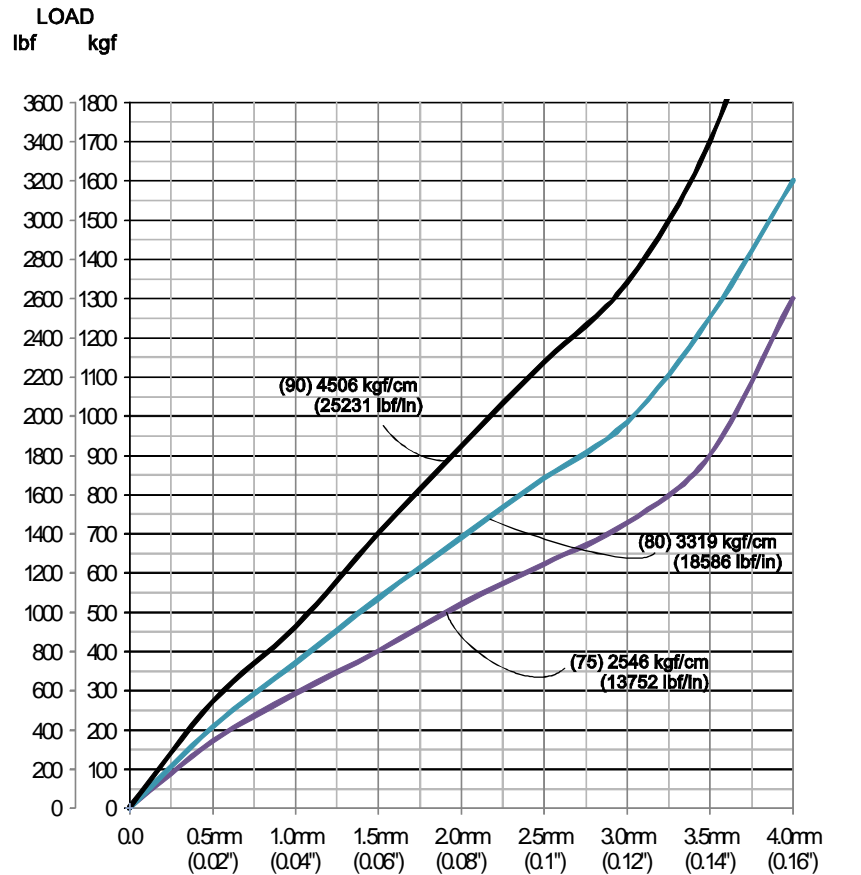
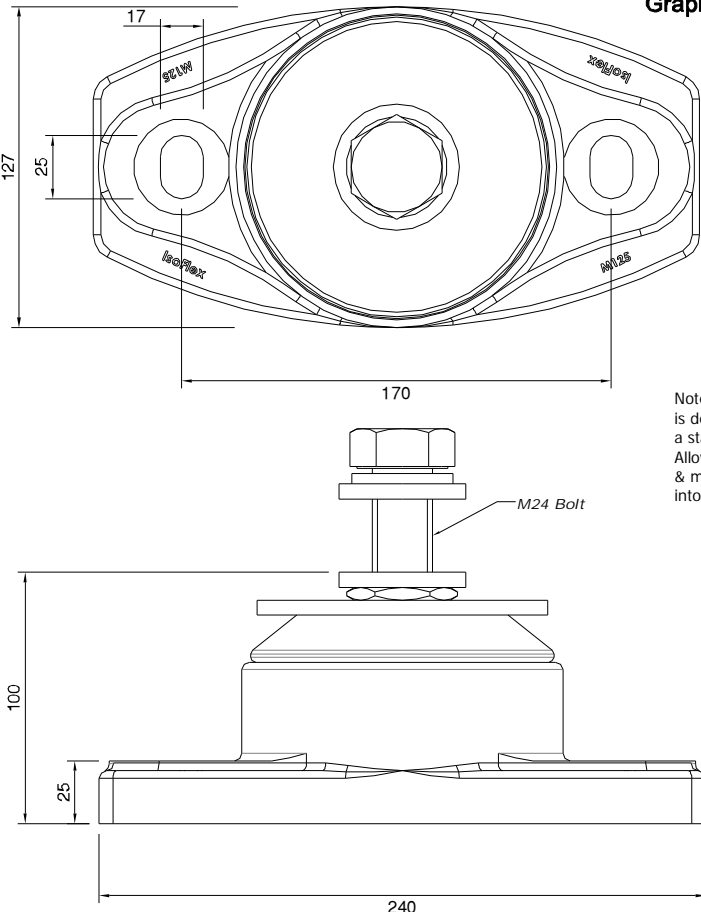
#### Mount Model: M125XHD-24 B

'M125' = model number  
 'XHD' = Extra Heavy Duty  
 '24' = thread size  
 'B' = Bolt down type

Resilient Element Colour	Shore Durometer Hardness A-scale SDH-A
Yellow	50
Red	60
Black	70
Royal Blue	75
Green	80
Grey	90

**Base:** Black - 75 SDH-D

All metal components zinc plated to ASTM B633 SC3



**Graph 1: Static Axial Vertical Load[kg] (A-direction) versus Deflection[mm] (ins)**  
 Data shown: (x) = SDH-A Hardness  
 kgf/cm (lbf/in) = Spring Rate for working load range.

Note: Stated Spring Rate average @ 3mm

Note: As the bolt length required is dependent on the application, a standard length bolt is supplied. Allow a minimum of 1x bolt dia & maximum of 1.5x bolt dia into the mount.



Drawing Number: DSA-M125XHD-24B Rev1  
 Drawn: WF Date: 23 April 2012

Copyright © 2012 **IsoFlex Technologies Pty Ltd.**

Specifications are subject to change without notice.



# IsoFlex Technologies Pty Ltd.

Unit 33, 75 Waterway Drive, Gold Coast Marine Precinct, Coomera, Queensland, Australia. 4209  
 Ph: 1300 366 393 Ph: 07 555 60 924 F: 07 555 60 984 Int prefix: 617  
 Email: info@isoflex.com.au  
 Home Page: www.isoflex.com.au

## IsoFlex Mount Data Sheet

### Loading Type:

**Longitudinal Thrust (T-direction)**

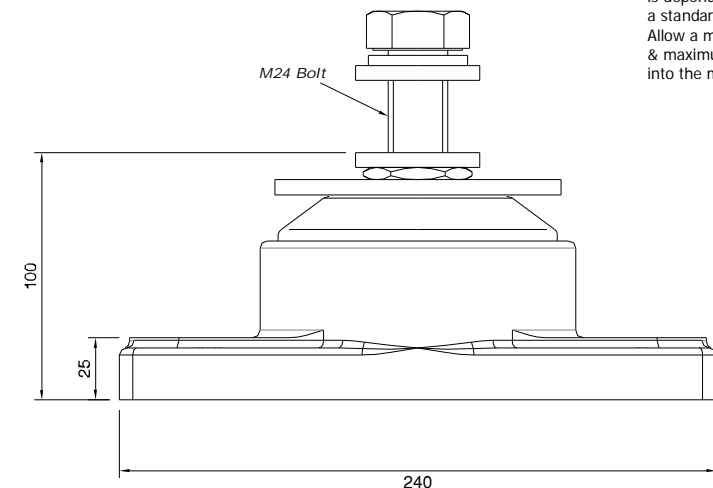
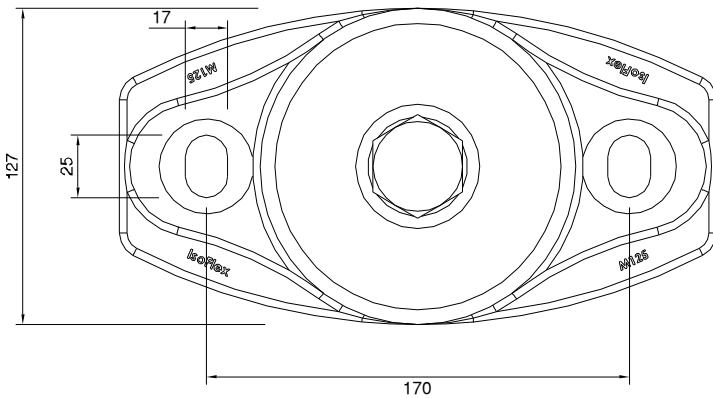
### Mount Model: M125XHD-24B

'M125' = model number  
 'XHD' = Extra Heavy Duty  
 '24' = thread size  
 'B' = bolt type

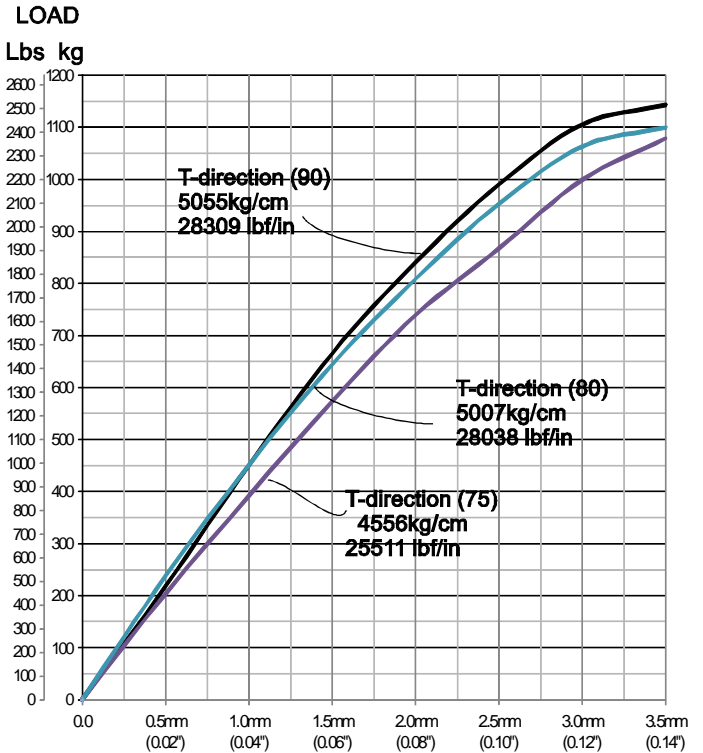
Resilient Element Colour	Shore Durometer Hardness A-scale SDH-A
Yellow	50
Red	60
Black	70
Royal Blue	75
Green	80
Grey	90

**Base:** Black - 75 SDH-D

All metal components zinc plated to ASTM B633 SC3

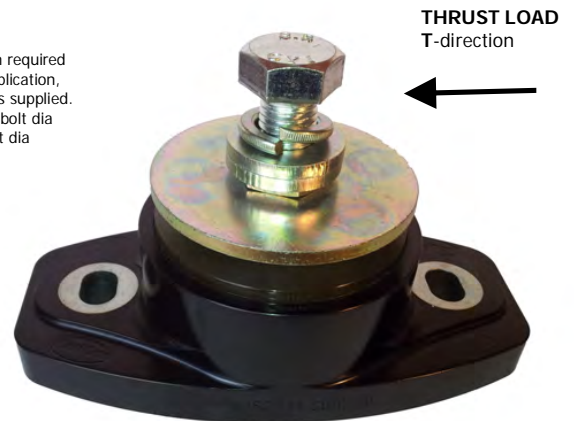


**Graph:**  
**Static Longitudinal Thrust Load (T-direction) versus Deflection[mm] (ins)**



Note: Stated Spring Rate average @ 2mm

Note: As the bolt length required is dependent on the application, a standard length bolt is supplied. Allow a minimum of 1x bolt dia & maximum of 1.5x bolt dia into the mount.



Drawing Number: DST-M125XHD-24B [R1]  
 Drawn: WF Date: 22 June 2012

Copyright © 2012 **IsoFlex Technologies Pty Ltd.**

Specifications are subject to change without notice.



# IsoFlex Technologies Pty Ltd.

Unit 33, 75 Waterway Drive, Gold Coast Marine Precinct, Coomera, Queensland, Australia. 4209  
 Ph: 1300 366 393 Ph: 07 555 60 924 F: 07 555 60 984 Int prefix: 617  
 Email: info@isoflex.com.au  
 Home Page: www.isoflex.com.au

## IsoFlex Mount Data Sheet

### Loadings:

#### Lateral Thrust (L-direction)

#### Mount Model: M125XHD-24B

'M125' = model number  
 'XHD' = Extra Heavy Duty  
 '24' = thread size  
 'B' = bolt type

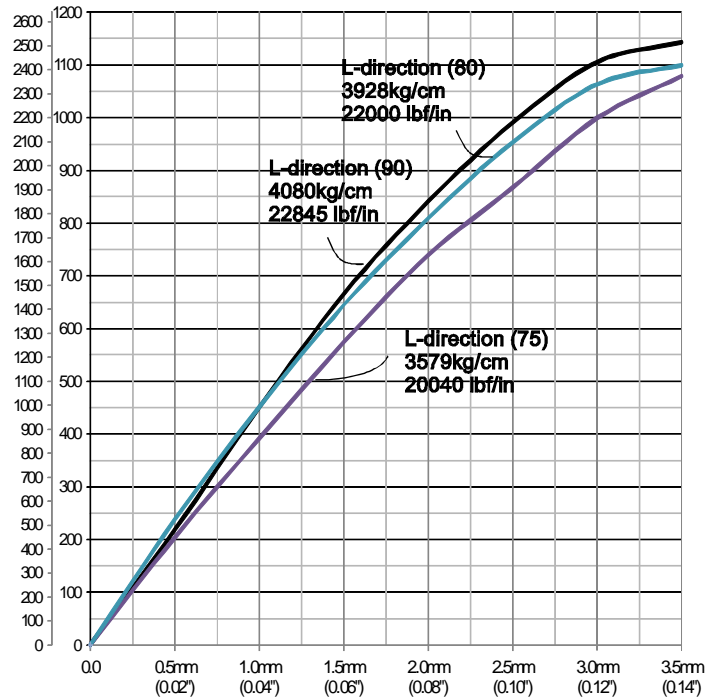
Resilient Element Colour	Shore Durometer Hardness A-scale SDH-A
Yellow	50
Red	60
Black	70
Royal Blue	75
Green	80
Grey	90

**Base:** Black - 75 SDH-D

All metal components zinc plated to ASTM B633 SC3

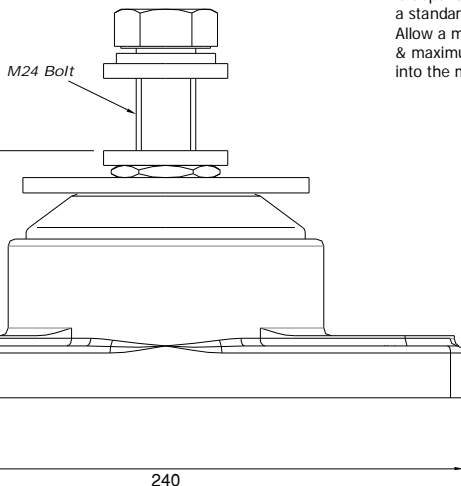
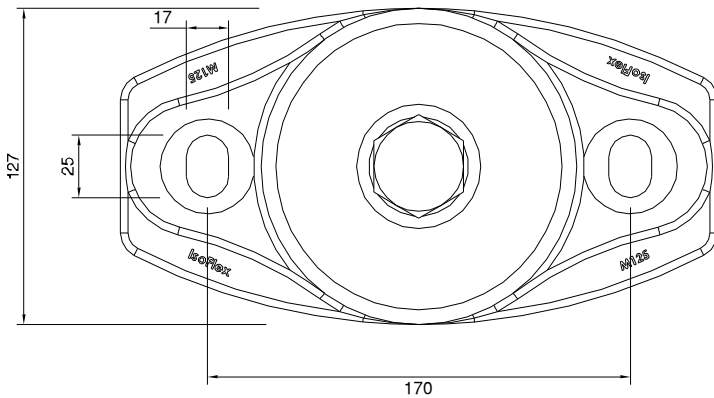
### LOAD

Lbs kg



Graph: Static Lateral Load[kg] (L-direction) versus Deflection[mm] (ins)

Note: Stated Spring Rate average @ 2mm



Note: As the bolt length required is dependent on the application, a standard length bolt is supplied. Allow a minimum of 1x bolt dia & maximum of 1.5x bolt dia into the mount.



Lateral LOAD  
L-direction

Drawing Number: DSL-M125XHD-24B [R1]  
 Drawn: WF Date: 22 June 2012

Copyright © 2012 IsoFlex Technologies Pty Ltd.

Specifications are subject to change without notice.