

ISO FLEX MOUNT DATA SHEET - M127HD

M127HD - 20 S - RED

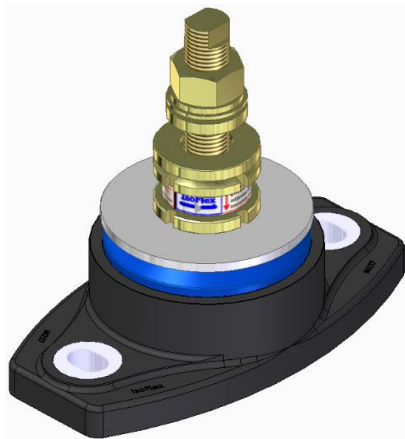
Thread Size	
20	M20
24	M24

Stud Type	
S	Adjusting stud type
B	Bolt type

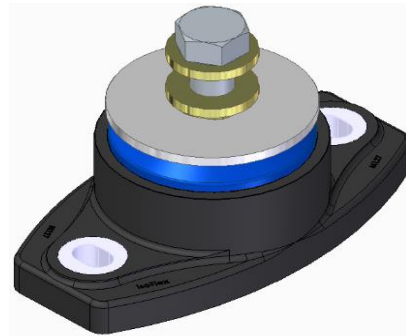
Resilient Core Type	
RED	Red
BLK	Black
LBL	Light Blue
DBL	Dark Blue
GRN	Green
GRY	Grey
Other duro available on request	

Base: Black - 75 SDH-D

Metal components a combination of marine alloy, stainless steel and components zinc plated to ASTM B633 Type II SC3



Mount model M127HD-20S or M127HD-24S



Mount model M127HD-20B or M127HD-24B

WEIGHT:

Model	Metric (kg)	Imperial (lb)
M127HD-20S	2.8	6.2
M127HD-24S	3.2	7.0
M127HD-20B	2.2	4.8
M127HD-24B	2.2	4.8

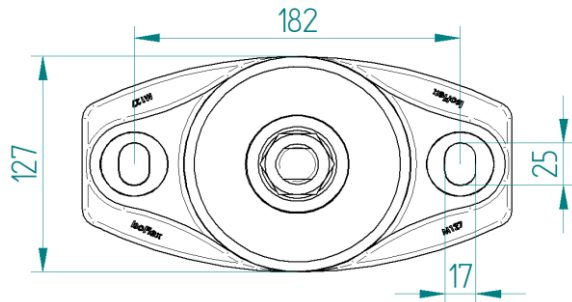
SPECIFICATION:

	Metric (kg)	Imperial (lb)
Recommended working load per mount	250-750	550-1650

ISOFLEX MOUNT DATA SHEET - M127HD

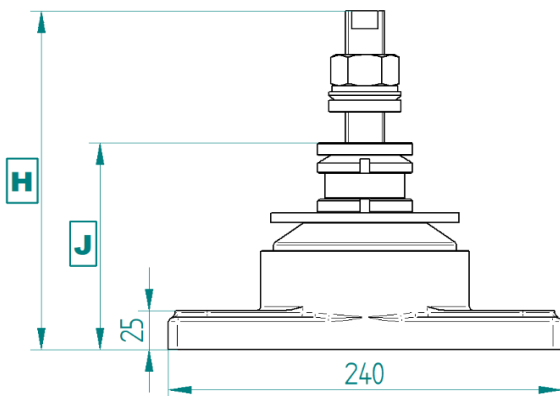
COMMON DIMENSIONS :

	Metric (mm)	Imperial (in)
Base length	240	9.45
Base width	127	5.00
Base bolt centres	182	7.17
Base thickness	25	0.98
Base bolt size	M16	5/8

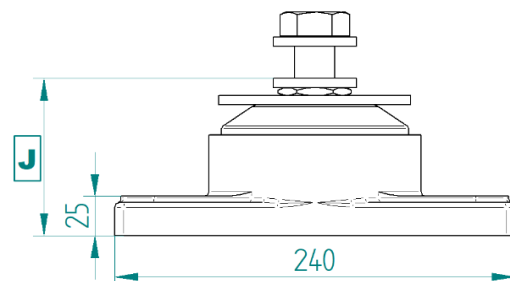


MODEL SPECIFIC DIMENSIONS :

Model	Overall Height (H)		Min Free Height (J)		Height Adjustment (J)	
	(mm)	(in)	(mm)	(in)	(mm)	(in)
M127HD-20S	196	7.72	134	5.28	10	0.39
M127HD-24S	220	8.66	134	5.28	10	0.39
M127HD-20B	-	-	97	3.82	-	-
M127HD-24B	-	-	100	3.94	-	-



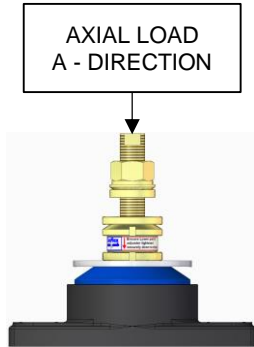
Mount model M127HD-20S or M127HD-24S



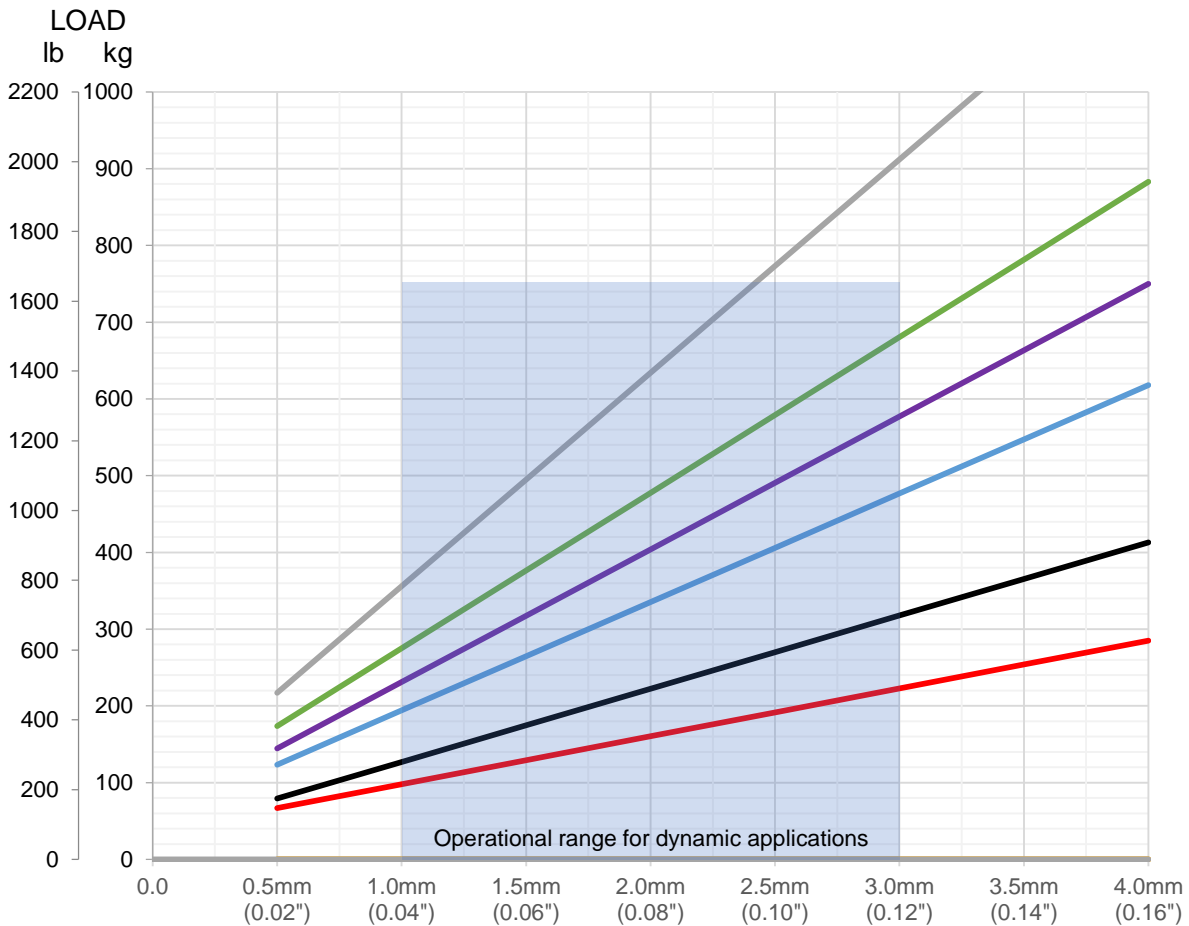
Mount model M127HD-20B or M127HD-24B

ISOFLEX MOUNT DATA SHEET - M127HD

Loading Type: Axial - Vertical Down (A-direction)



Resilient Core Colour	Spring Rate at 2mm	
	(kg/cm)	(lb/in)
Red	625	3500
Black	955	5350
Light Blue	1415	7925
Dark Blue	1730	9690
Green	2025	11340
Grey	2780	15570

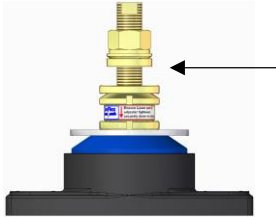


Graph: Static Axial Vertical Load [kg] (lb) versus Deflection [mm] (in)

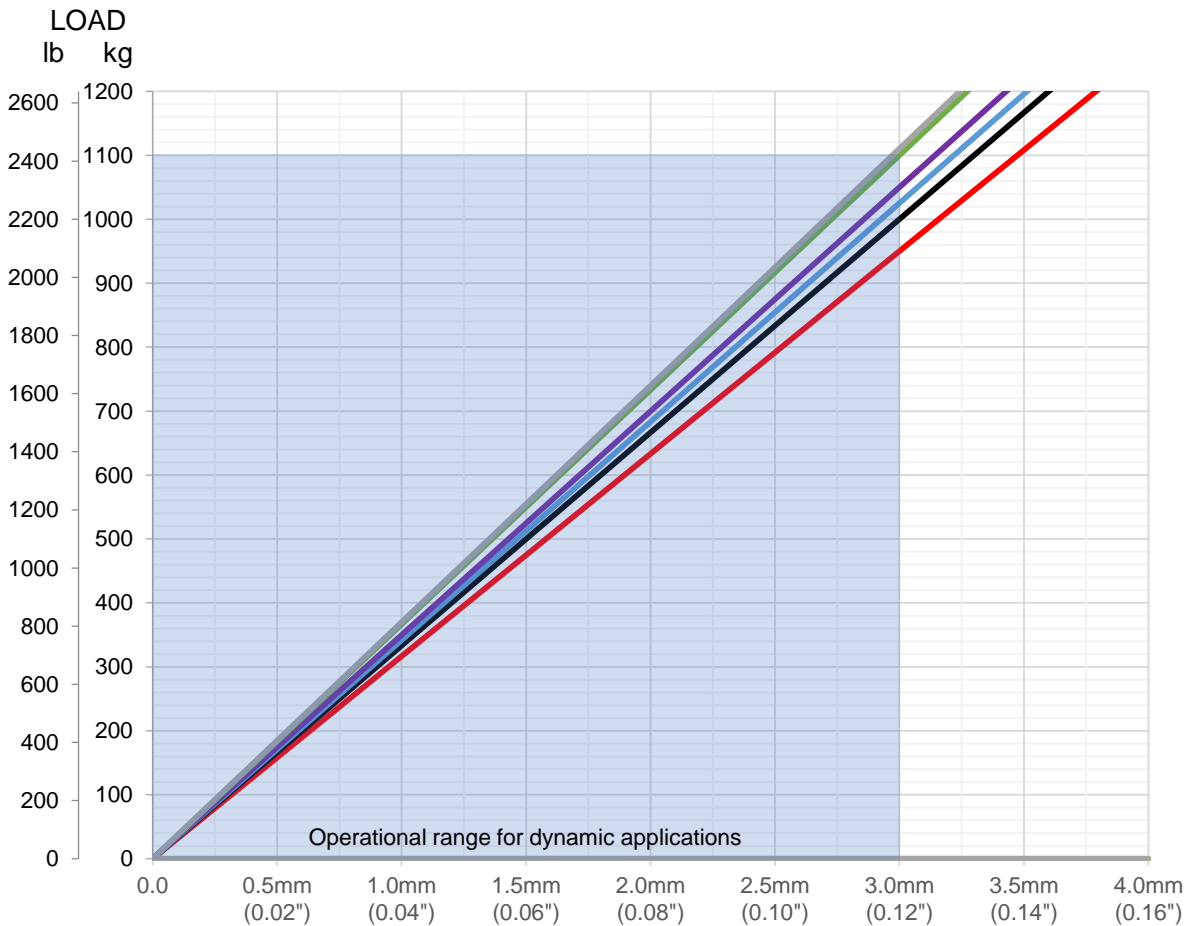
ISOFLEX MOUNT DATA SHEET - M127HD

Loading Type: Longitudinal Thrust (T-direction)

LONGITUDINAL THRUST
T - DIRECTION



Resilient Core Colour	Spring Rate at 2mm	
	(kg/cm)	(lb/in)
Red	3165	17725
Black	3335	18675
Light Blue	3415	19125
Dark Blue	3500	19600
Green	3665	20525
Grey	3700	20720

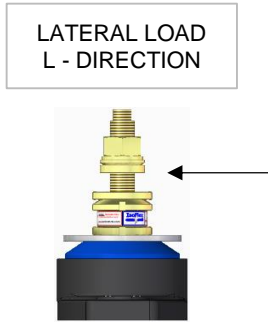


Graph: Static Longitudinal Load [kg] (lb) versus Deflection [mm] (in)

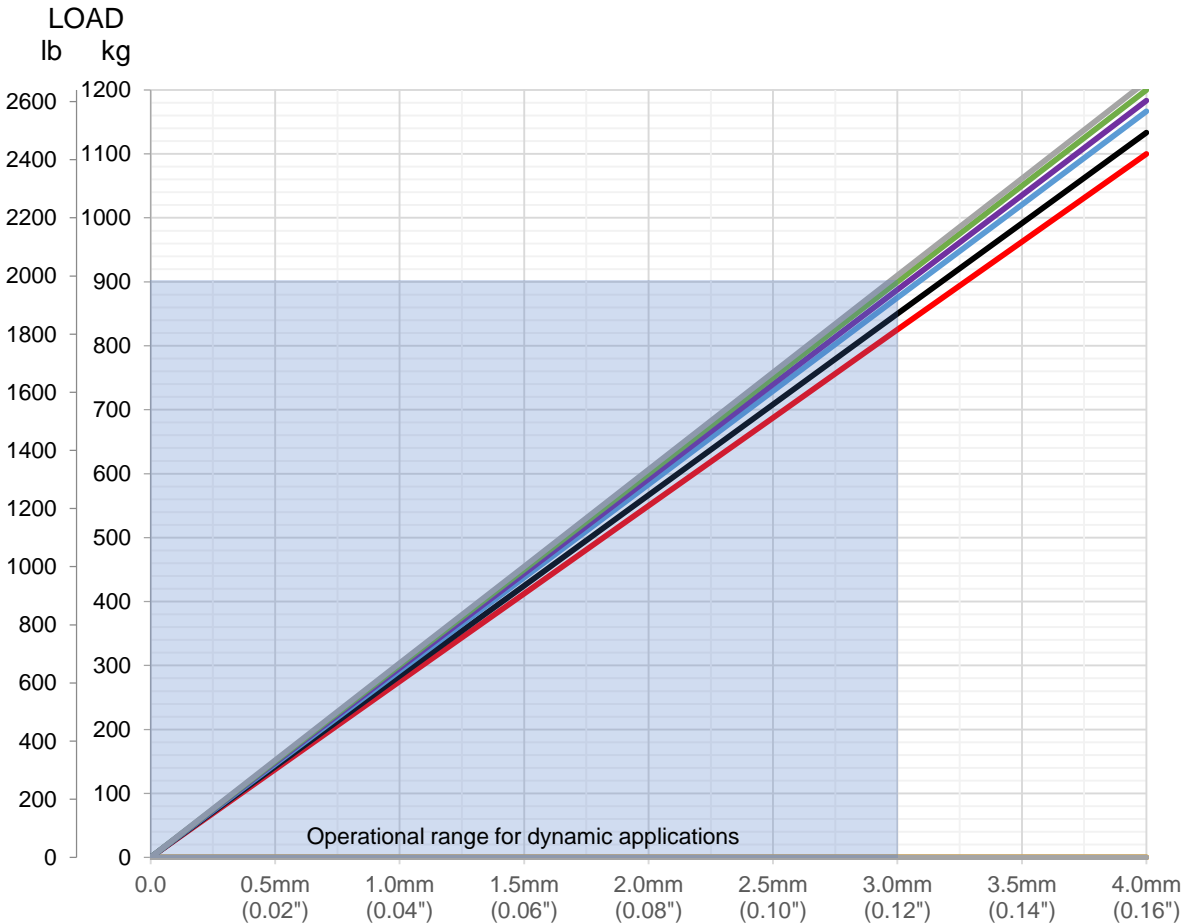
Note: Stated spring rate with 2.5mm axial compression simulation load

ISOFLEX MOUNT DATA SHEET - M127HD

Loading Type: Lateral (L-direction)



Resilient Core Colour	Spring Rate at 2mm	
	(kg/cm)	(lb/in)
Red	2750	15400
Black	2835	15875
Light Blue	2915	16325
Dark Blue	2960	16575
Green	3000	16800
Grey	3035	16995



Graph: Static Lateral Load [kg] (lb) versus Deflection [mm] (in)

Note: Stated spring rate with 2.5mm axial compression simulation load