



IsoFlex Technologies Pty Ltd.

Unit 33, 75 Waterway Drive, Gold Coast Marine Precinct, Coomera, Queensland, Australia. 4209
 Ph: 1300 366 393 Ph: 07 555 60 924 F: 07 555 60 984 Int prefix: 617
 Email: info@isoflex.com.au
 Home Page: www.isoflex.com.au

IsoFlex Mount Data Sheet

Loading Type:

Axial - Vertical Down (A-direction)

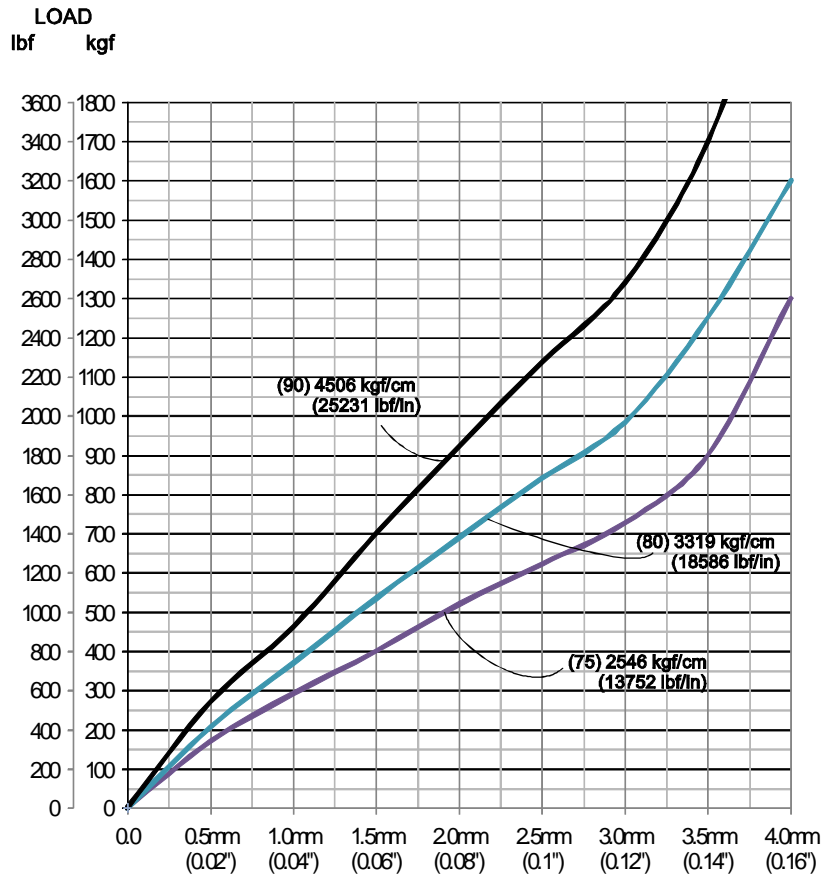
Mount Model: M127XHD-24B

- 'M127' = model number
- 'XHD' = Extra Heavy Duty
- '24' = thread size
- 'B' = bolt type

Resilient Element Colour	Shore Durometer Hardness A-scale SDH-A
Yellow	50
Red	60
Black	70
Royal Blue	75
Green	80
Grey	90

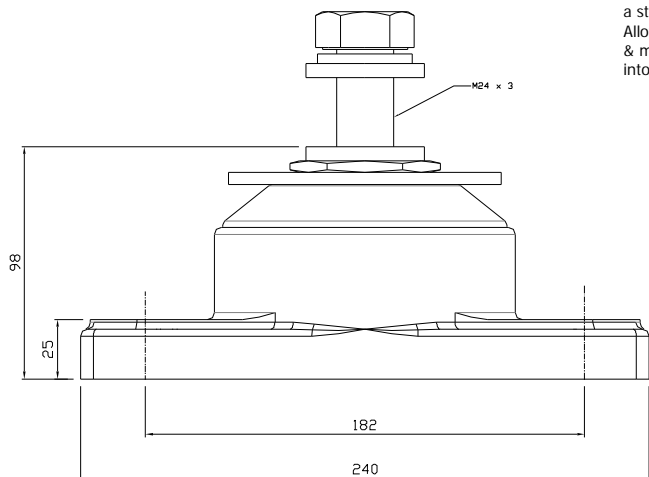
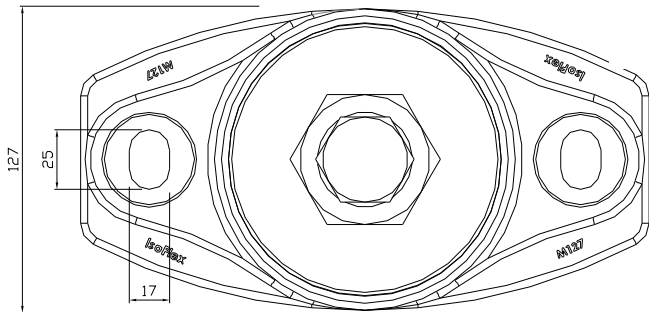
Base: Black - 75 SDH-D

All metal components zinc plated to ASTM B633 SC3



Graph 1: Static Axial Vertical Load [kg] (A-direction) versus Deflection [mm] (ins)
 Data shown: (x) = SDH-A Hardness
 kgf/cm (lbf/in) = Spring Rate for working load range.

Note: Stated Spring Rate average @ 3mm



Note: As the bolt length required is dependent on the application, a standard length bolt is supplied. Allow a minimum of 1x bolt dia & maximum of 1.5x bolt dia into the mount.



Drawing Number: DSA-M127XHD-24B Rev4
 Drawn: WF Date: 4 May 2012

Copyright © 2012 **IsoFlex Technologies Pty Ltd.**

Specifications are subject to change without notice.



IsoFlex Technologies Pty Ltd.

Unit 33, 75 Waterway Drive, Gold Coast Marine Precinct, Coomera, Queensland, Australia. 4209
 Ph: 1300 366 393 Ph: 07 555 60 924 F: 07 555 60 984 Int prefix: 617
 Email: info@isoflex.com.au
 Home Page: www.isoflex.com.au

IsoFlex Mount Data Sheet

Loading Type:

Longitudinal Thrust (T-direction)

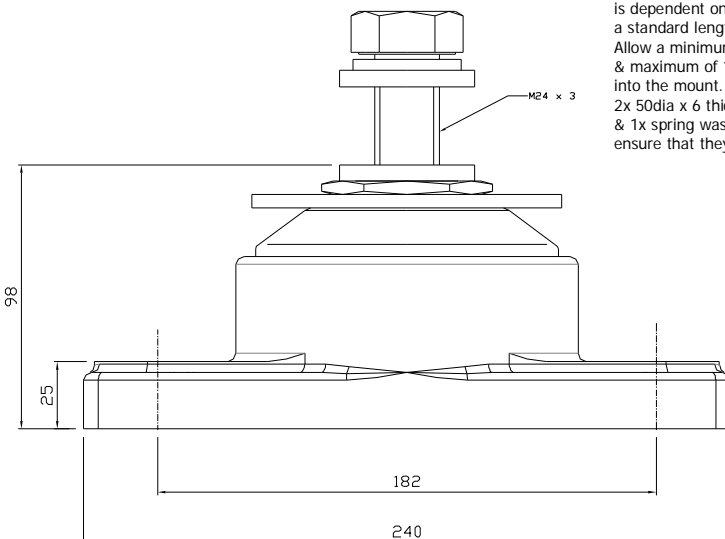
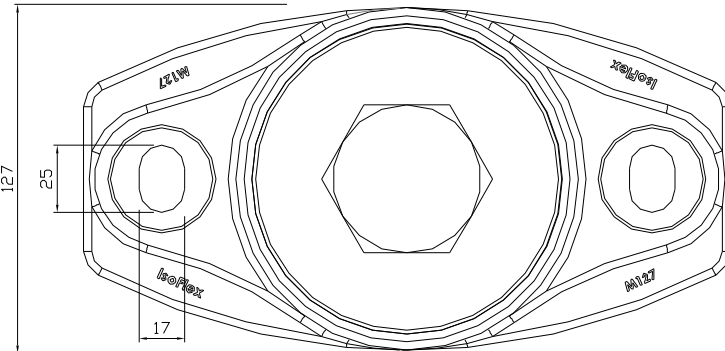
Mount Model: M127XHD-24B

'M127' = model number
 'XHD' = Extra Heavy Duty
 '24' = thread size
 'B' = bolt type

Resilient Element Colour	Shore Durometer Hardness A-SDH-A
Yellow	50
Red	60
Black	70
Royal Blue	75
Green	80
Grey	90

Base: Black - 75 SDH-D

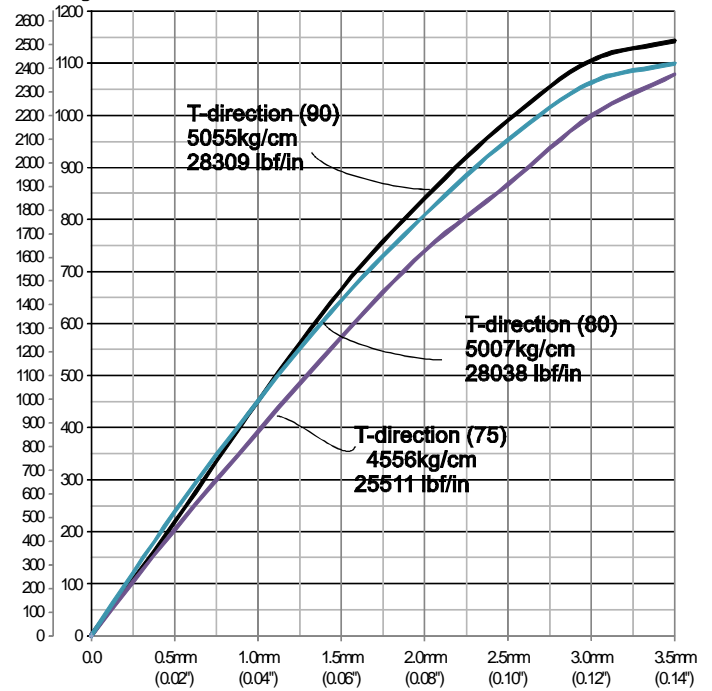
All metal components zinc plated to ASTM B633 SC3



Note: As the bolt length required is dependent on the application, a standard length bolt is supplied. Allow a minimum of 1x bolt dia & maximum of 1.5x bolt dia into the mount. 2x 50dia x 6 thick flat washers & 1x spring washer supplied, ensure that they are fitted as shown.

LOAD

Lbs kg



Graph:
 Static Longitudinal Thrust Load (T-direction) versus Deflection [mm] (ins)

Note: Stated Spring Rate average @ 2mm



Drawing Number: DST-M127XHD-24B [R1]
 Drawn: WF Date: 22 June 2012

Copyright © 2012 **IsoFlex Technologies Pty Ltd.**

Specifications are subject to change without notice.

Dimensions in millimetres (mm.) - unless stated otherwise



IsoFlex Technologies Pty Ltd.

Unit 33, 75 Waterway Drive, Gold Coast Marine Precinct, Coomera, Queensland, Australia. 4209
 Ph: 1300 366 393 Ph: 07 555 60 924 F: 07 555 60 984 Int prefix: 617
 Email: info@isoflex.com.au
 Home Page: www.isoflex.com.au

IsoFlex Mount Data Sheet

Loadings:

Lateral Thrust (L-direction)

Mount Model: M127XHD-24B

- 'M127' = model number
- 'XHD' = Extra Heavy Duty
- '24' = thread size
- 'B' = bolt type

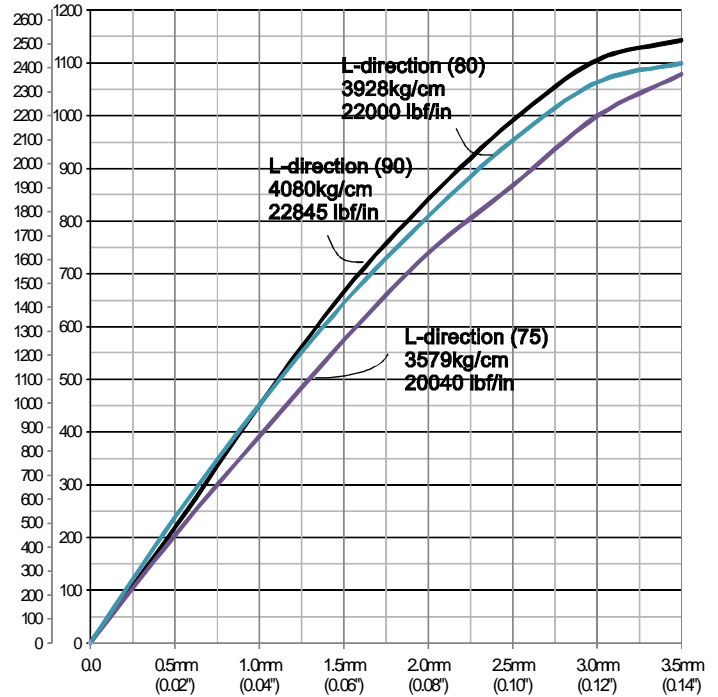
Resilient Element Colour	Shore Durometer Hardness A-scale SDH-A
Yellow	50
Red	60
Black	70
Royal Blue	75
Green	80
Grey	90

Base: Black - 75 SDH-D

All metal components zinc plated to ASTM B633 SC3

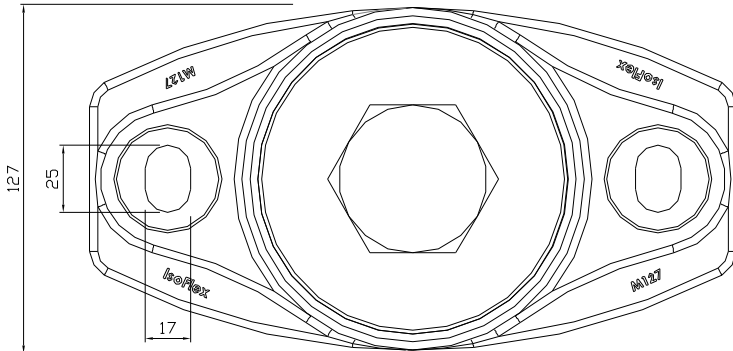
LOAD

Lbs kg

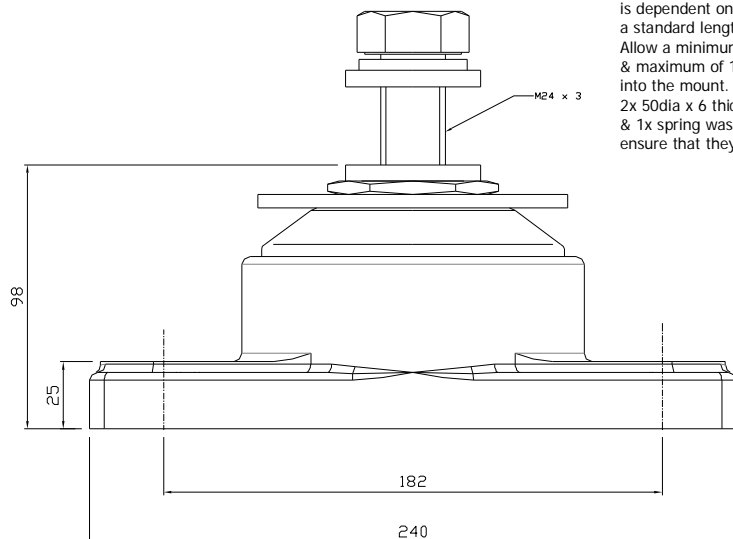


Graph: Static Lateral Load[kg] (L-direction) versus Deflection[mm] (ins)

Note: Stated Spring Rate average @ 2mm



Note: As the bolt length required is dependent on the application, a standard length bolt is supplied. Allow a minimum of 1x bolt dia & maximum of 1.5x bolt dia into the mount.
 2x 50dia x 6 thick flat washers & 1x spring washer supplied, ensure that they are fitted as shown.



Lateral LOAD
L-direction



Drawing Number: DSL-M127XHD-24B [R1]
 Drawn: WF Date: 22 June 2012