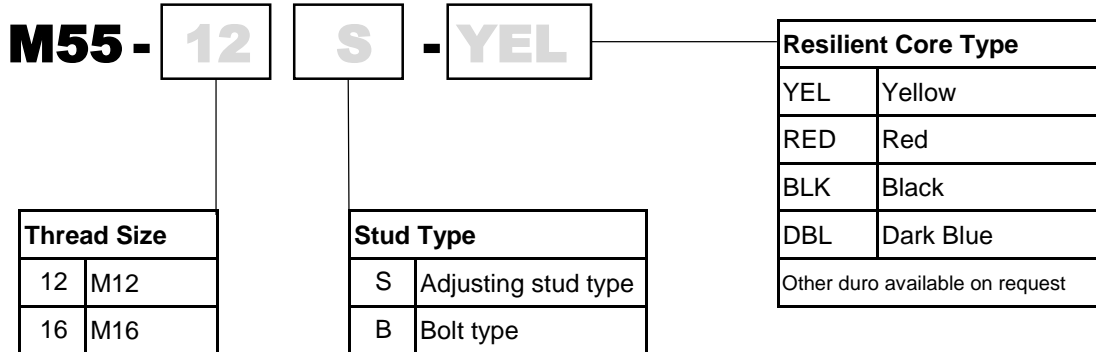
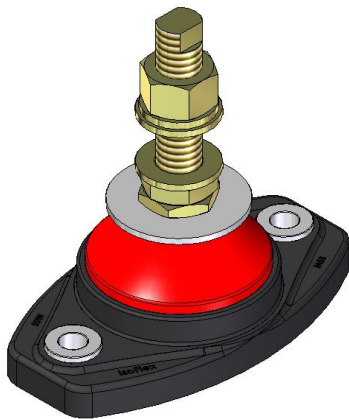


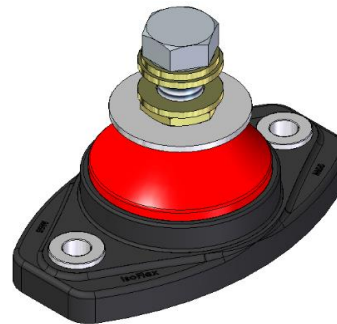
ISOFLEX MOUNT DATA SHEET - M55



Base: Black - 75 SDH-D
 Metal components a combination of marine alloy, stainless steel and components zinc plated to ASTM B633 Type II SC3



Mount model M55-12S or M55-16S



Mount model M55-12B or M55-16B

WEIGHT:

Model	Metric (kg)	Imperial (lb)
M55-12S	0.5	1.1
M55-16S	0.6	1.3
M55-12B	0.4	0.9
M55-16B	0.5	1.1

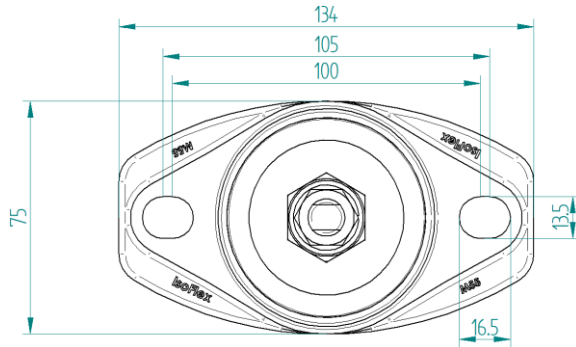
SPECIFICATION:

	Metric (kg)	Imperial (lb)
Recommended working load per mount	25-200	55-440

ISOFLEX MOUNT DATA SHEET - M55

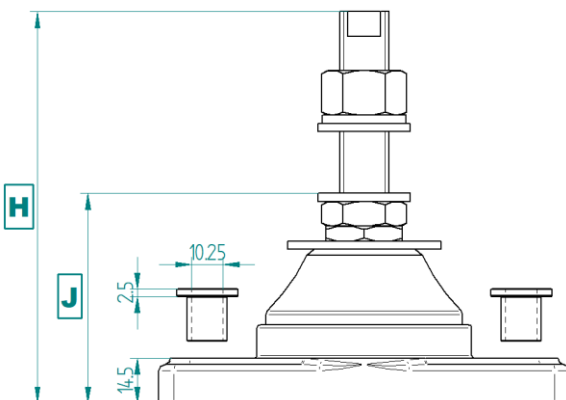
COMMON DIMENSIONS :

	Metric (mm)	Imperial (in)
Base length	134	5.28
Base width	75	2.95
Base bolt centres	100 - 105	3.94 - 4.13
Base thickness	14.5	0.57
Base bolt size	M12	1/2
T bush base bolt size	M10	3/8

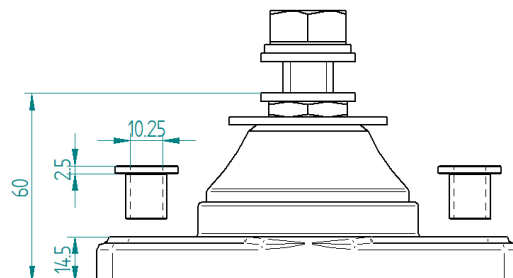


MODEL SPECIFIC DIMENSIONS :

Model	Overall Height (H)		Min Free Height (J)		Height Adjustment (J)	
	(mm)	(in)	(mm)	(in)	(mm)	(in)
M55-12S	105	4.13	65	2.56	10	0.39
M55-16S	127	5.00	68	2.68	10	0.39
M55-12B	-	-	60	2.36	-	-
M55-16B	-	-	60	2.36	-	-



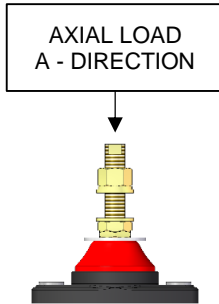
Mount model M55-12S or M55-16S



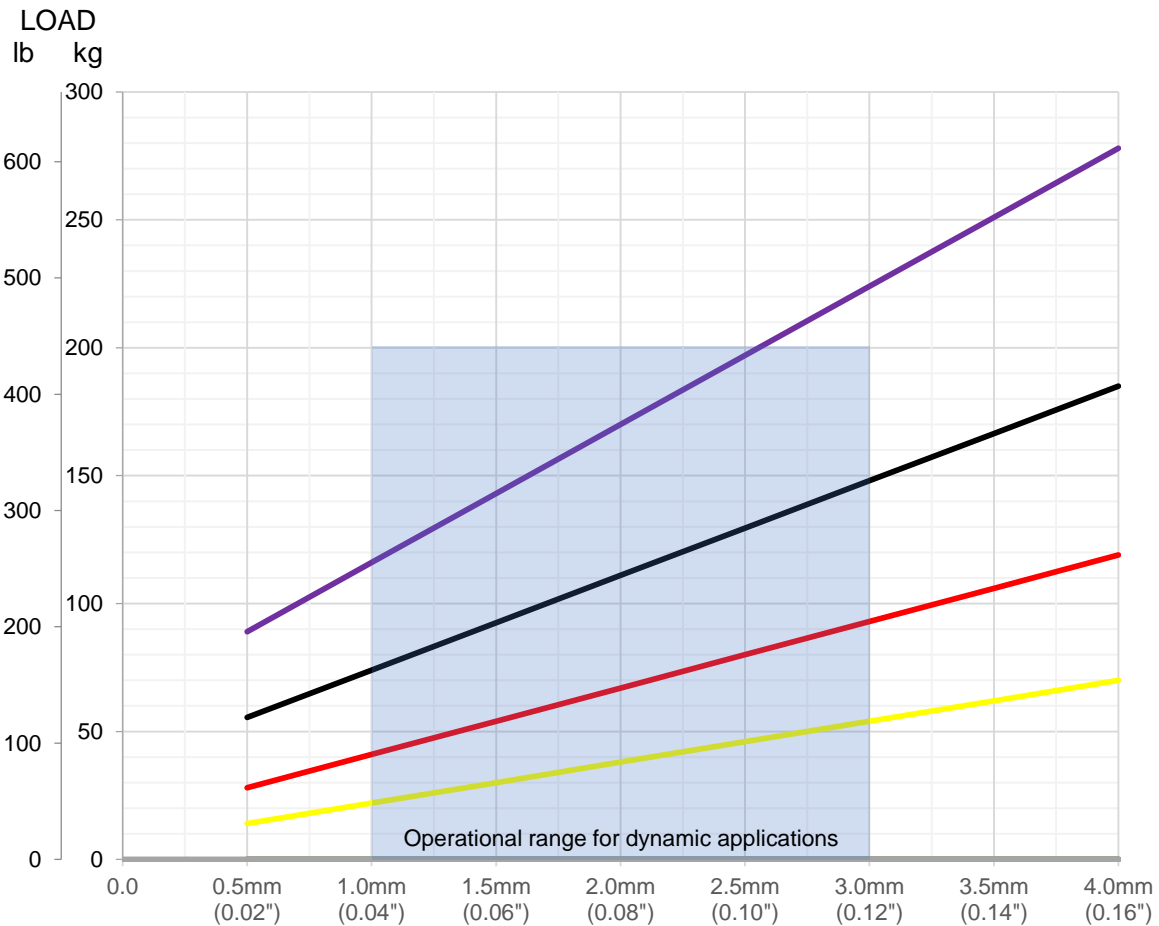
Mount model M55-12B or M55-16B

ISOFLEX MOUNT DATA SHEET - M55

Loading Type: Axial - Vertical Down (A-direction)



Resilient Core Colour	Spring Rate at 2mm	
	(kg/cm)	(lb/in)
Yellow	160	895
Red	260	1455
Black	370	2070
Dark Blue	540	3025

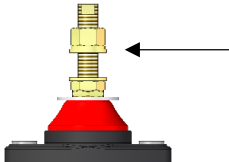


Graph: Static Axial Vertical Load [kg] (lb) versus Deflection [mm] (in)

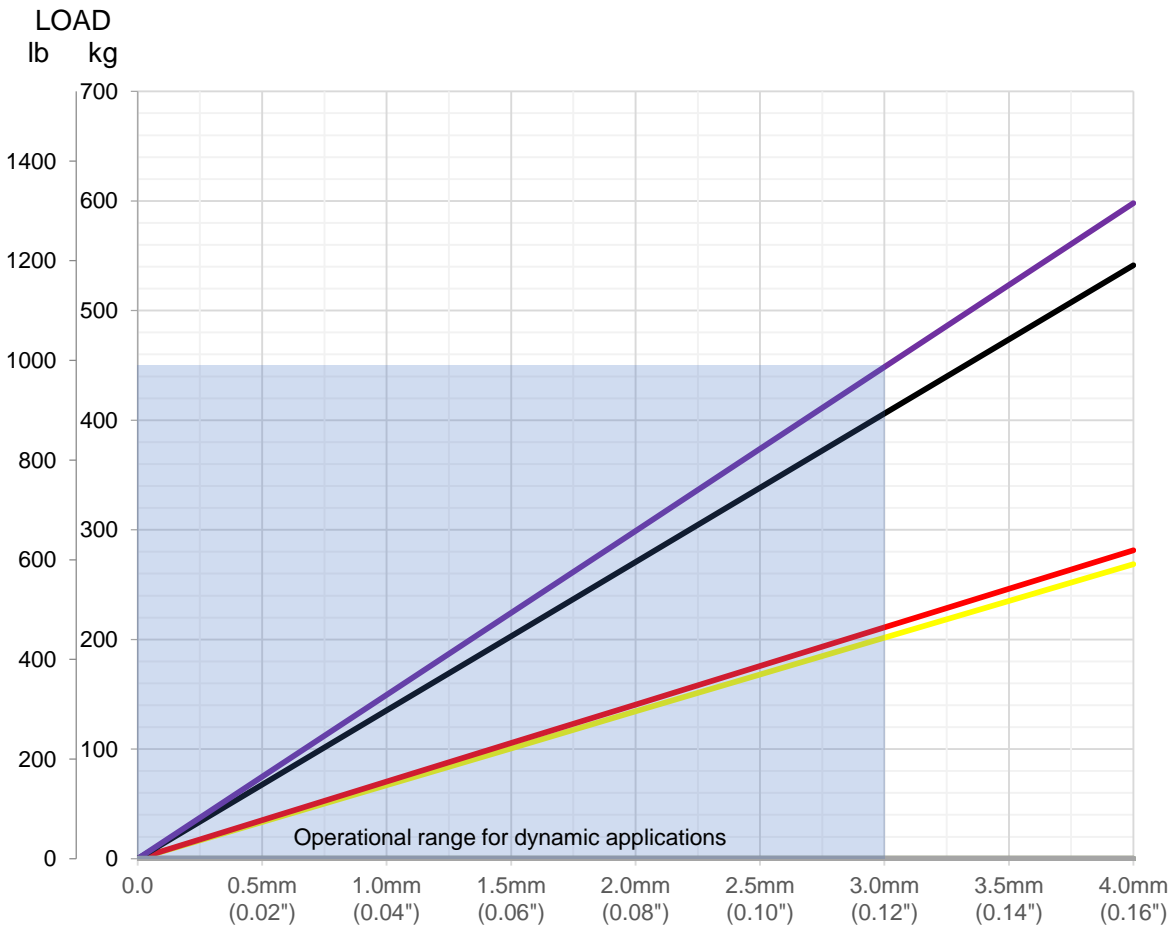
ISOFLEX MOUNT DATA SHEET - M55

Loading Type: Longitudinal Thrust (T-direction)

LONGITUDINAL THRUST
T - DIRECTION



Resilient Core Colour	Spring Rate at 2mm	
	(kg/cm)	(lb/in)
Yellow	670	3750
Red	705	3950
Black	1355	7590
Dark Blue	1495	8370



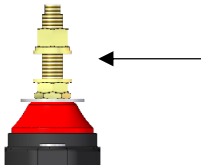
Graph: Static Longitudinal Load [kg] (lb) versus Deflection [mm] (in)

Note: Stated spring rate with 2.5mm axial compression simulation load

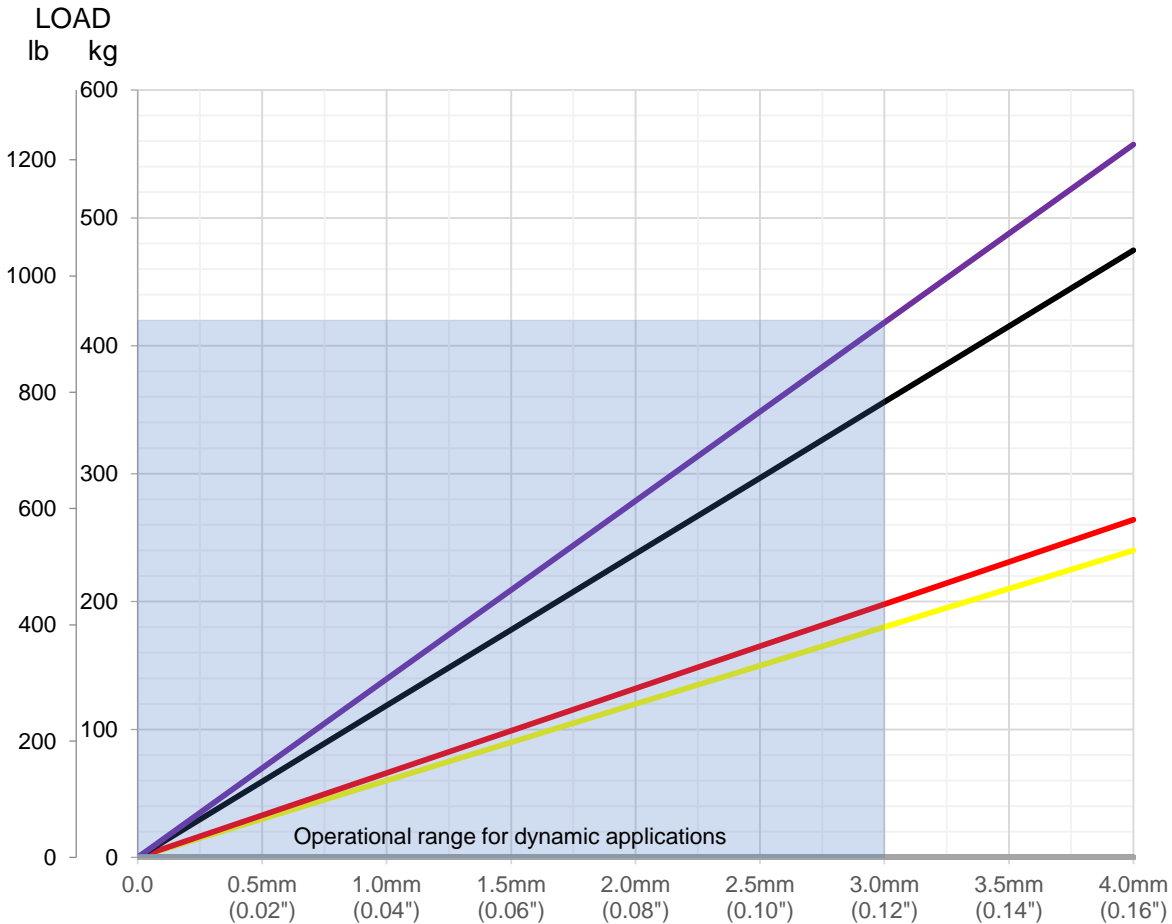
ISOFLEX MOUNT DATA SHEET - M55

Loading Type: Lateral (L-direction)

LATERAL LOAD
L - DIRECTION



Resilient Core Colour	Spring Rate at 2mm	
	(kg/cm)	(lb/in)
Yellow	600	3360
Red	660	3695
Black	1185	6635
Dark Blue	1395	7810



Graph: Static Lateral Load [kg] (lb) versus Deflection [mm] (in)

Note: Stated spring rate with 2.5mm axial compression simulation load