



**IsoFlex Mount Data Sheet**

**Loadings:**

- 1. Axial - Vertical Down (A-direction)

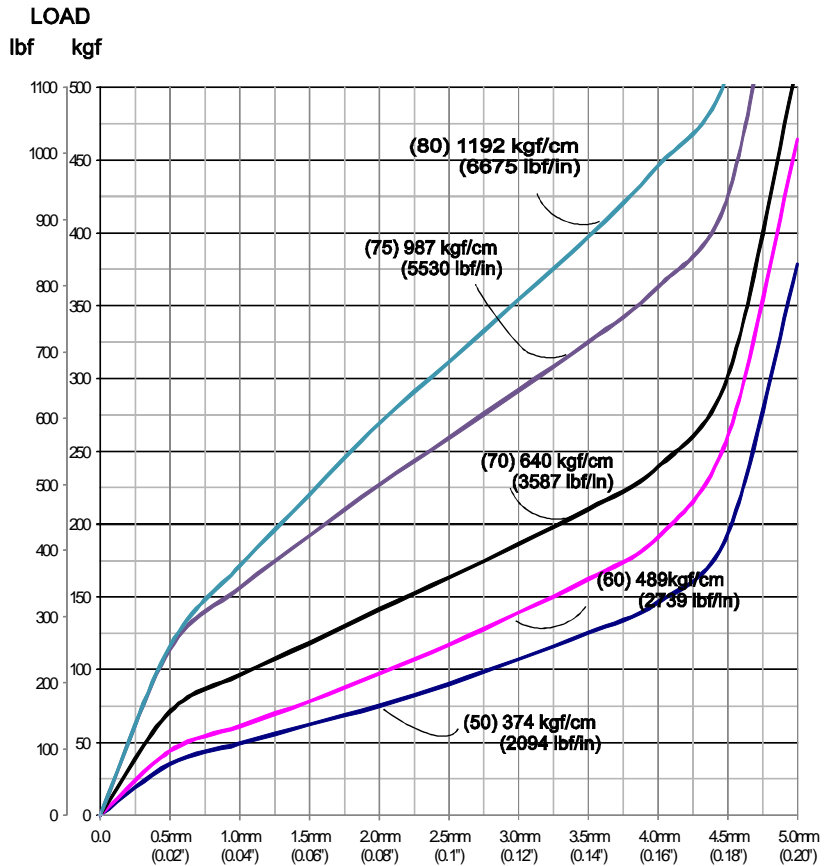
**Mount Model: M75-16B**

'M75' = model number  
 '16' = thread size  
 'B' = Bolt Type

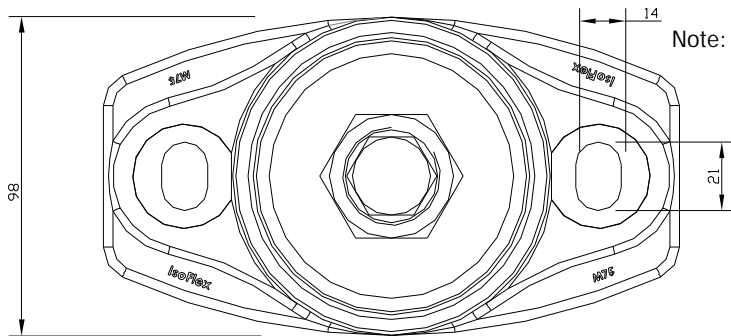
Resilient Element Colour	Shore Durometer Hardness A-scale SDH-A
Yellow	50
Red	60
Black	70
Royal Blue	75
Green	80

Base: Black - 75 SDH-D

All metal components zinc plated to ASTM B633 SC3

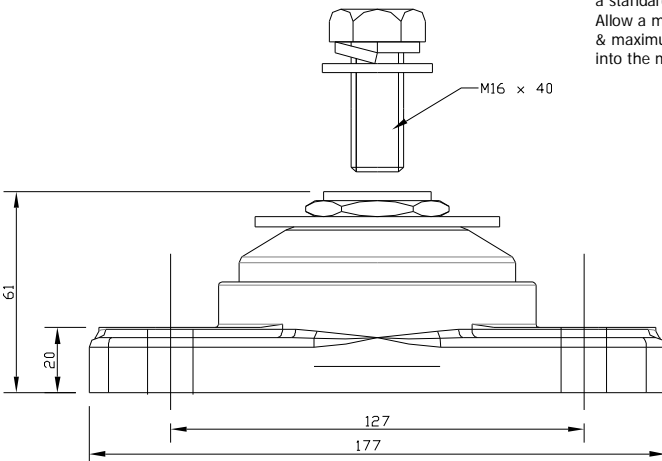


**Graph 1: Static Axial Vertical Load[kg] (A-direction) versus Deflection[mm] (ins)**  
 Data shown: (x) = SDH-A Hardness  
 kgf/cm(lbf/in) = Spring Rate



Note: Stated Spring Rate average @ 3mm

Note: As the bolt length required is dependent on the application, a standard length bolt is supplied. Allow a minimum of 1x bolt dia & maximum of 1.5x bolt dia into the mount.



M75-16B General Arrangement

Dimensions in millimetres (mm.) - unless stated otherwise



Drawing Number: DSA-M75-16B Rev3  
 Drawn: WF Date: 28 March 2012



# IsoFlex Technologies Pty Ltd.

Unit 33, 75 Waterway Drive, Gold Coast Marine Precinct, Coomera, Queensland, Australia. 4209  
 Ph: 1300 366 393 Ph: 07 555 60 924 F: 07 555 60 984 Int prefix: 617  
 Email: info@isoflex.com.au  
 Home Page: www.isoflex.com.au

## IsoFlex Mount Data Sheet

### Loadings:

### Longitudinal Thrust (T-direction)

#### Mount Model: M75-16B

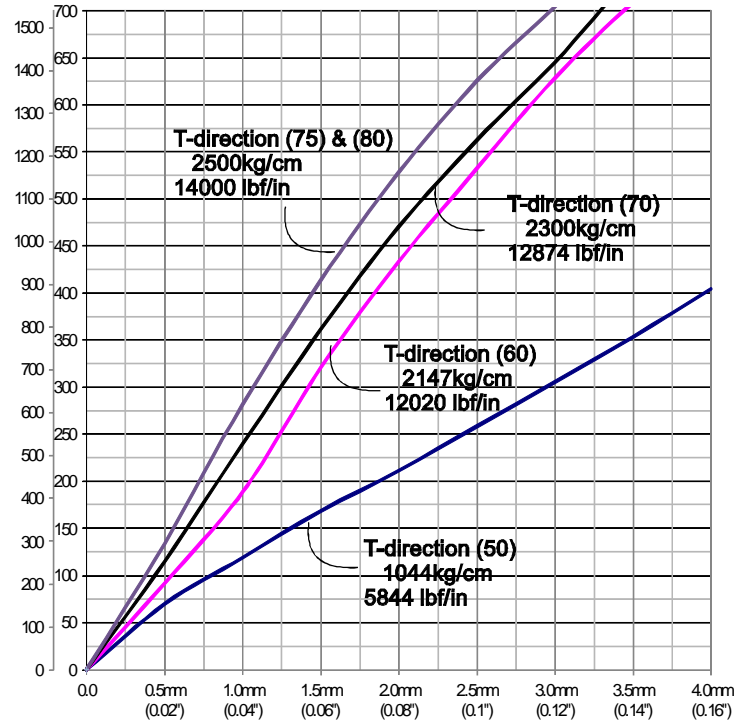
'M75' = model number  
 '16' = thread size  
 'B' = Bolt Type

Resilient Element Colour	Shore Durometer Hardness A-scale SDH-A
Yellow	50
Red	60
Black	70
Royal Blue	75
Green	80

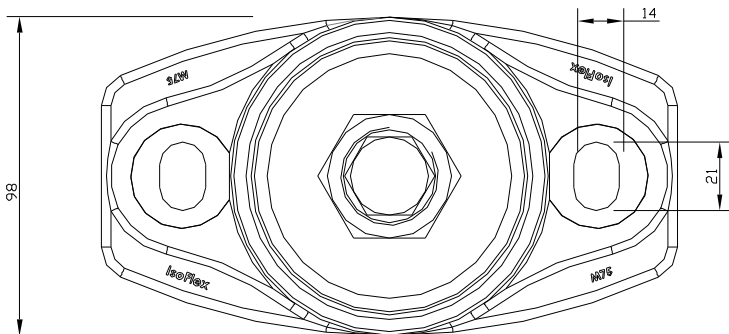
Base: Black - 75 SDH-D

All metal components zinc plated to ASTM B633 SC3

### LOAD Lbs kg

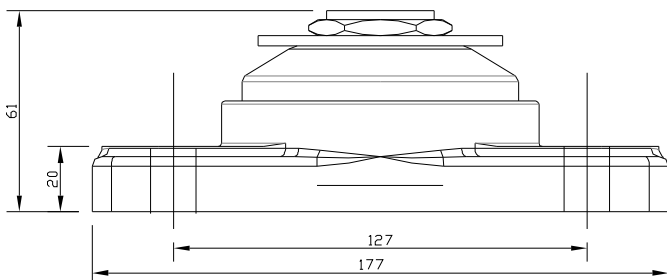
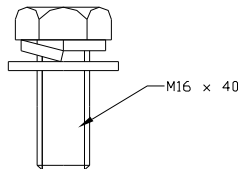


Graph: Static Longitudinal (Thrust) Load[kg] (T-direction) versus Deflection[mm] (ins)



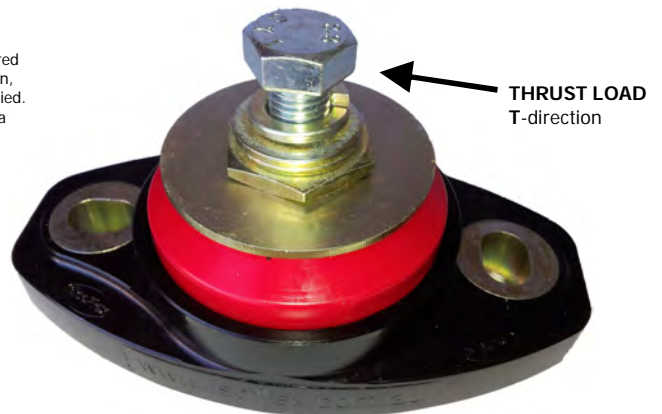
Note: Stated Spring Rate average @ 2mm

Note: As the bolt length required is dependent on the application, a standard length bolt is supplied. Allow a minimum of 1x bolt dia & maximum of 1.5x bolt dia into the mount.



M75-16B General Arrangement

Dimensions in millimetres (mm.) - unless stated otherwise



Drawing Number: DST-M75-16 B  
 Drawn: WF Date: 21 May 2012

Copyright © 2012 IsoFlex Technologies Pty Ltd.

Specifications are subject to change without notice.



# IsoFlex Technologies Pty Ltd.

Unit 33, 75 Waterway Drive, Gold Coast Marine Precinct, Coomera, Queensland, Australia. 4209  
 Ph: 1300 366 393 Ph: 07 555 60 924 F: 07 555 60 984 Int prefix: 617  
 Email: info@isoflex.com.au  
 Home Page: www.isoflex.com.au

## IsoFlex Mount Data Sheet

### Loadings:

#### Lateral Thrust (L-direction)

#### Mount Model: M75-16 B

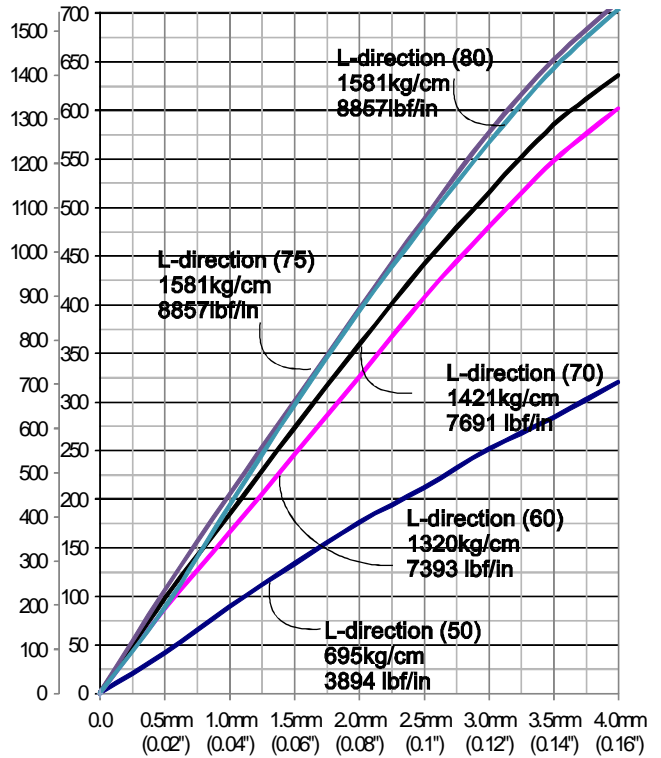
'M75' = model number  
 '16' = thread size  
 'B' = Bolt type

Resilient Element Colour	Shore Durometer Hardness A-scale SDH-A
Yellow	50
Red	60
Black	70
Royal Blue	75

Base: Black - 75 SDH-D

All metal components zinc plated to ASTM B633 SC3

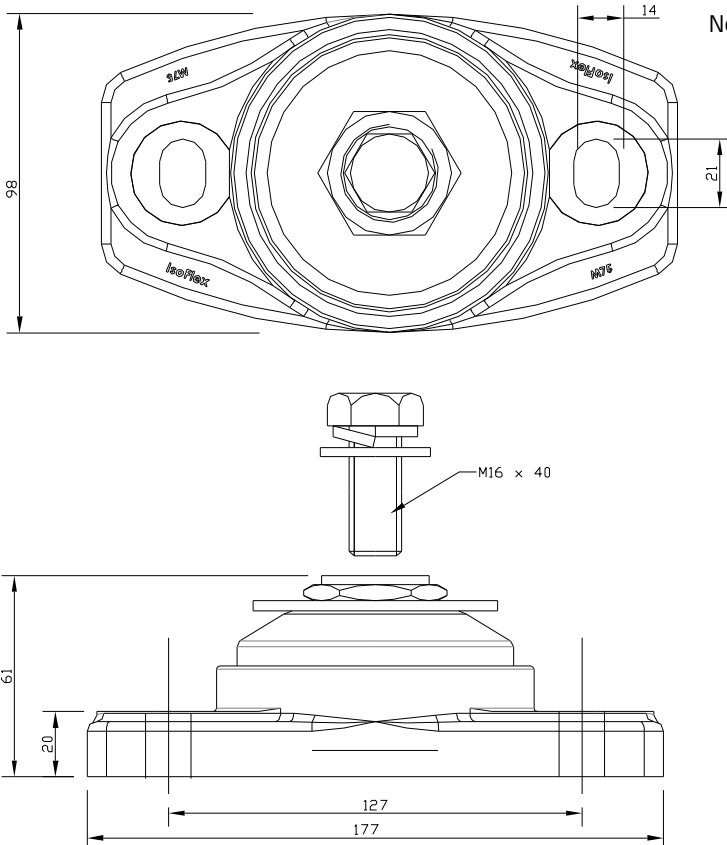
LOAD  
Lbs kg



### Graph:

Static Lateral Load[kg] (L-direction) versus Deflection[mm] (ins)

Note: Stated Spring Rate average @ 3mm



Lateral LOAD  
L-direction

Dimensions in millimetres (mm.) - unless stated otherwise

Drawing Number: DSL-M75-16 B  
 Drawn: WF Date: 14 June 2012

Copyright © 2012 IsoFlex Technologies Pty Ltd.

Specifications are subject to change without notice.