



IsoFlex Mount Data Sheet

Loadings:

1. Axial - Vertical Down (A-direction)

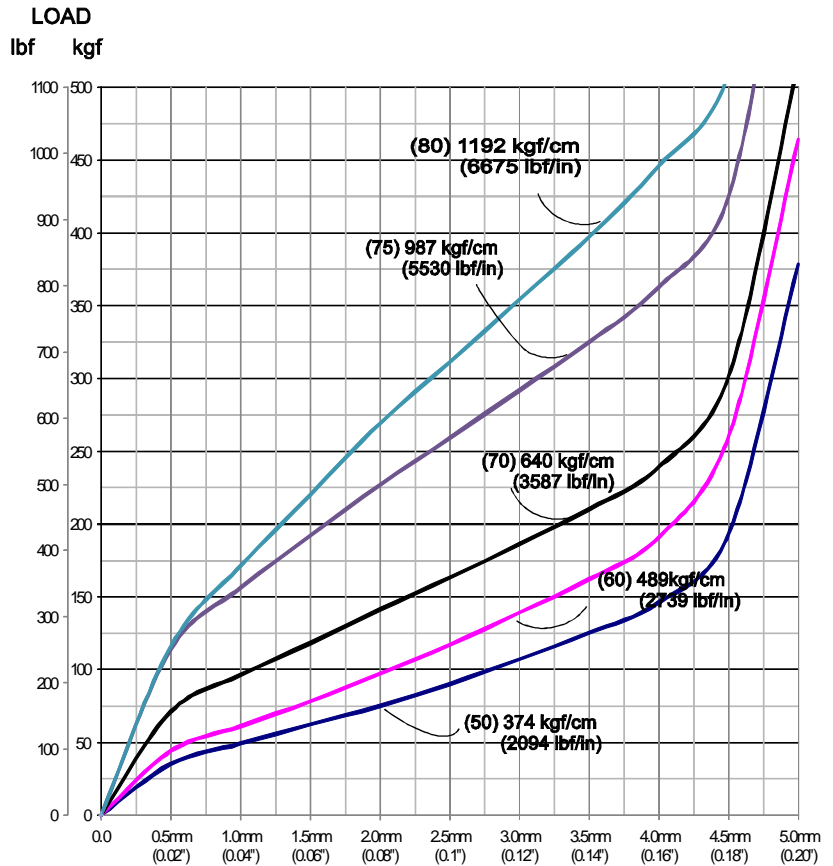
Mount Model: M85-16B

'M85' = model number
 '16' = thread size
 'S' = Bolt type

Resilient Element Colour	Shore Durometer Hardness A-scale SDH-A
Yellow	50
Red	60
Black	70
Royal Blue	75
Green	80

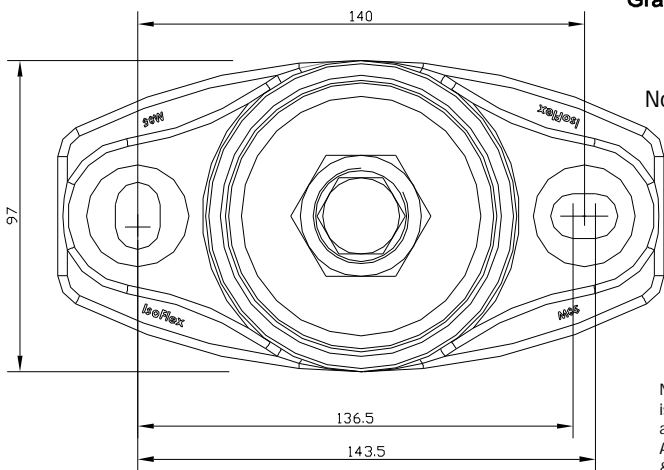
Base: Black - 75 SDH-D

All metal components zinc plated to ASTM B633 SC3

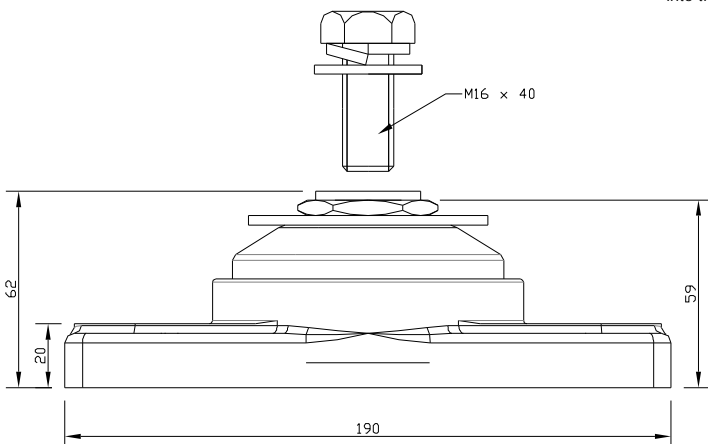
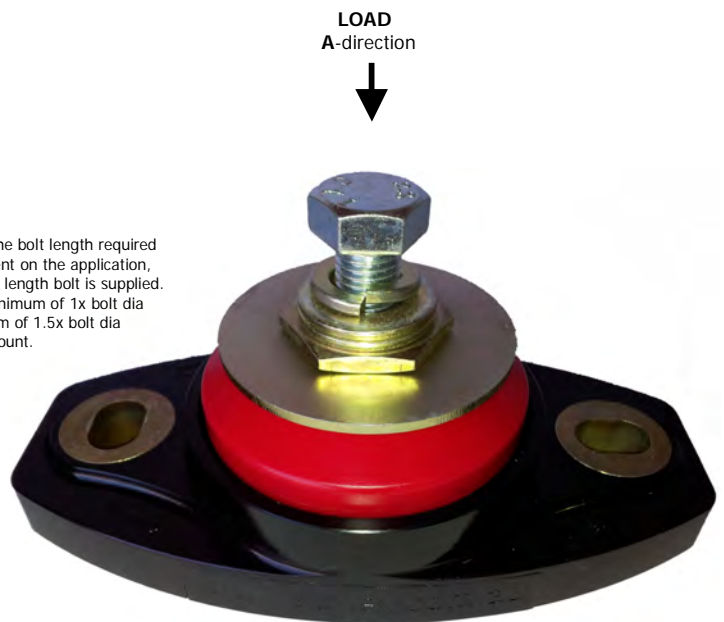


Graph 1: Static Axial Vertical Load [kg] (A-direction) versus Deflection [mm] (ins)
 Data shown: (x) = SDH-A Hardness
 kgf/cm(lbf/in) = Spring Rate

Note: Stated Spring Rate average @ 3mm



Note: As the bolt length required is dependent on the application, a standard length bolt is supplied. Allow a minimum of 1x bolt dia & maximum of 1.5x bolt dia into the mount.



Drawing Number: DSA-M85-16B Rev2
 Drawn: WF Date: 30 April 2012



IsoFlex Technologies Pty Ltd.

Unit 33, 75 Waterway Drive, Gold Coast Marine Precinct, Coomera, Queensland, Australia. 4209
 Ph: 1300 366 393 Ph: 07 555 60 924 F: 07 555 60 984 Int prefix: 617
 Email: info@isoflex.com.au
 Home Page: www.isoflex.com.au

IsoFlex Mount Data Sheet

Loadings:

Longitudinal Thrust (T-direction)

Mount Model: M85-16B

'M85' = model number

'16' = thread size

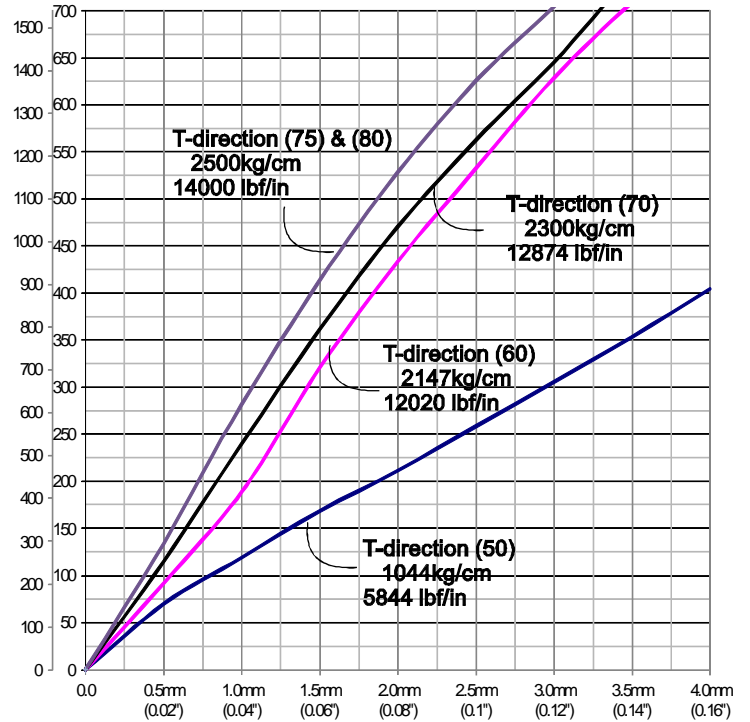
'S' = Bolt type

Resilient Element Colour	Shore Durometer Hardness A-scale SDH-A
Yellow	50
Red	60
Black	70
Royal Blue	75
Green	80

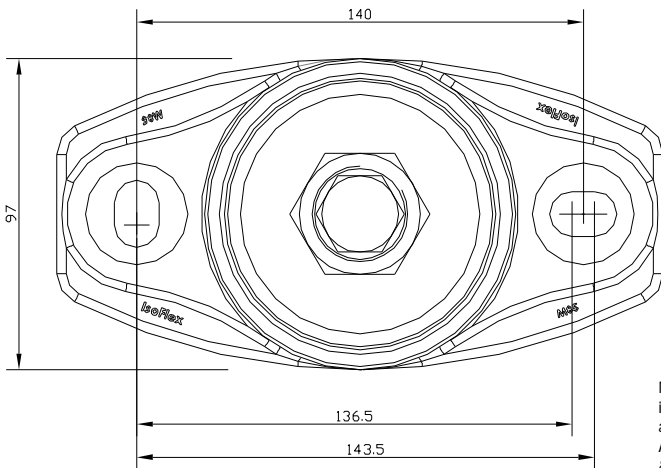
Base: Black - 75 SDH-D

All metal components zinc plated to ASTM B633 SC3

LOAD Lbs kg

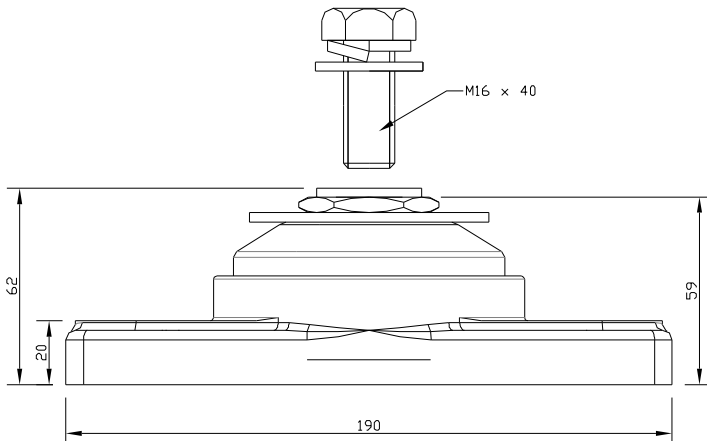
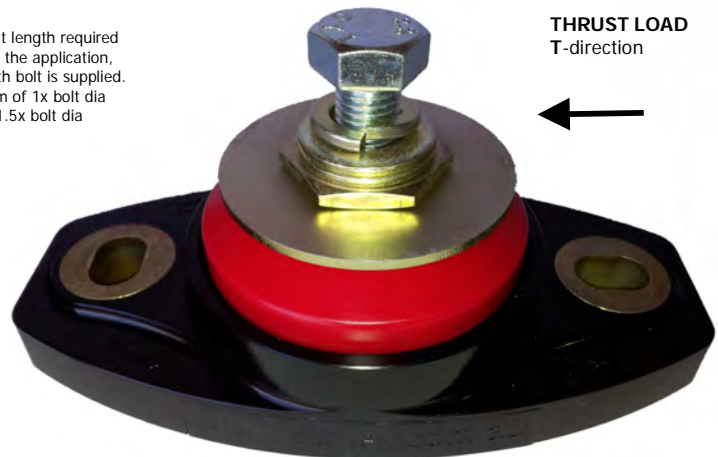


Graph: Static Longitudinal (Thrust) Load[kg] (T-direction) versus Deflection[mm] (ins)



Note: Stated Spring Rate average @ 2mm

Note: As the bolt length required is dependent on the application, a standard length bolt is supplied. Allow a minimum of 1x bolt dia & maximum of 1.5x bolt dia into the mount.



Drawing Number: DST-M85-16B
 Drawn: WF Date: 21 May 2012

Dimensions in millimetres (mm.) - unless stated otherwise

Copyright © 2012 IsoFlex Technologies Pty Ltd.

Specifications are subject to change without notice.



IsoFlex Technologies Pty Ltd.

Unit 33, 75 Waterway Drive, Gold Coast Marine Precinct, Coomera, Queensland, Australia. 4209
 Ph: 1300 366 393 Ph: 07 555 60 924 F: 07 555 60 984 Int prefix: 617
 Email: info@isoflex.com.au
 Home Page: www.isoflex.com.au

IsoFlex Mount Data Sheet

Loadings:

Lateral Thrust (L-direction)

Mount Model: M85-16 B

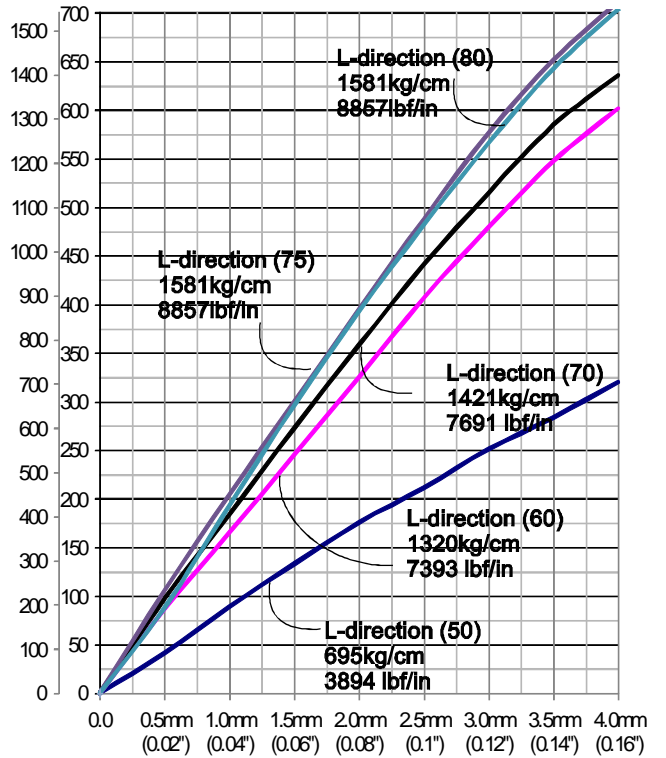
'M85' = model number
 '16' = thread size
 'B' = Bolt type

Resilient Element Colour	Shore Durometer Hardness A-scale SDH-A
Yellow	50
Red	60
Black	70
Royal Blue	75

Base: Black - 75 SDH-D

All metal components zinc plated to ASTM B633 SC3

LOAD

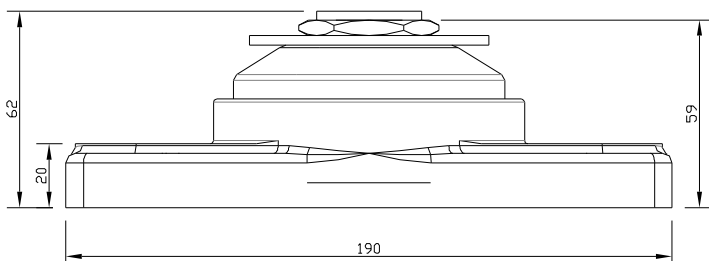
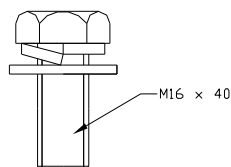
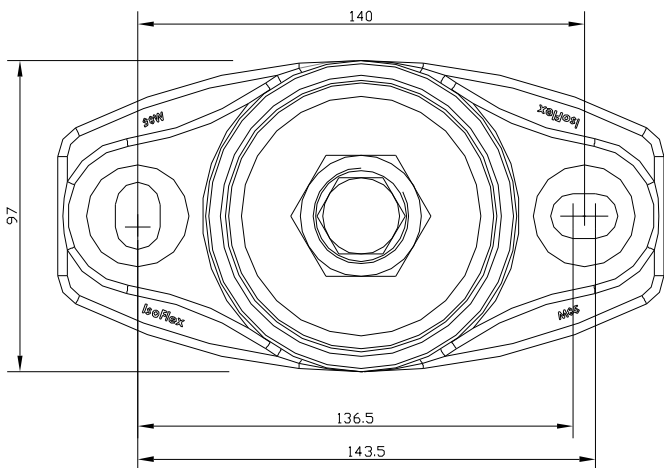


Graph:

Static Lateral Load[kg] (L-direction) versus Deflection[mm] (ins)

Note: Stated Spring Rate average @ 3mm

Note: As the bolt length required is dependent on the application, a standard length bolt is supplied. Allow a minimum of 1x bolt dia & maximum of 1.5x bolt dia into the mount.



Dimensions in millimetres (mm.) - unless stated otherwise



Lateral LOAD
L-direction

Drawing Number: DSL-M85-16 B
 Drawn: WF Date: 14 June 2012

Copyright © 2012 IsoFlex Technologies Pty Ltd.

Specifications are subject to change without notice.