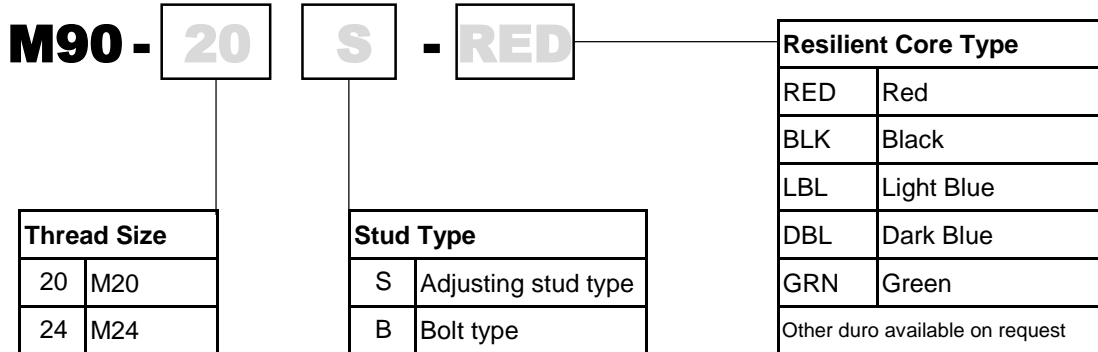


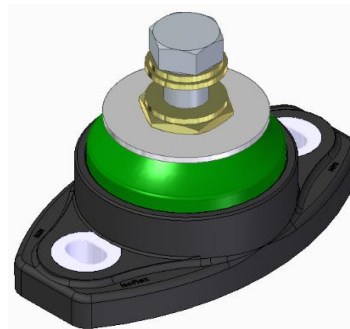
## ISOFLEX MOUNT DATA SHEET - M90



**Base:** Black - 75 SDH-D  
 Metal components a combination of marine alloy, stainless steel and components zinc plated to ASTM B633 Type II SC3



Mount model M90-20S or M90-24S



Mount model M90-20B or M90-24B

### WEIGHT:

Model	Metric (kg)	Imperial (lb)
M90-20S	1.4	3.1
M90-24S	1.6	3.5
M90-20B	1.3	2.9
M90-24B	1.6	3.5

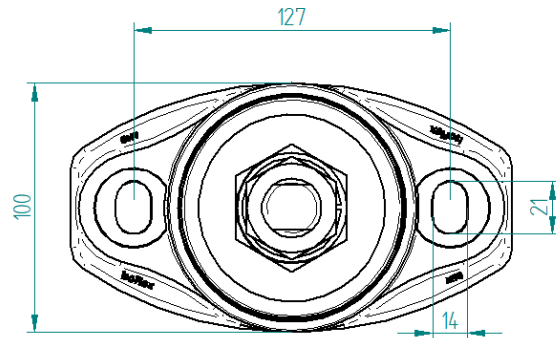
### SPECIFICATION:

	Metric (kg)	Imperial (lb)
Recommended working load per mount	75-350	165-770

## ISOFLEX MOUNT DATA SHEET - M90

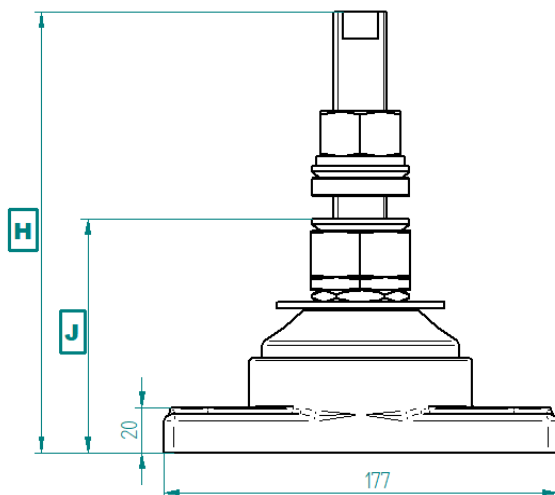
### COMMON DIMENSIONS :

	Metric (mm)	Imperial (in)
Base length	177	6.97
Base width	100	3.94
Base bolt centres	127	5.00
Base thickness	20	0.79
Base bolt size	M12	1/2

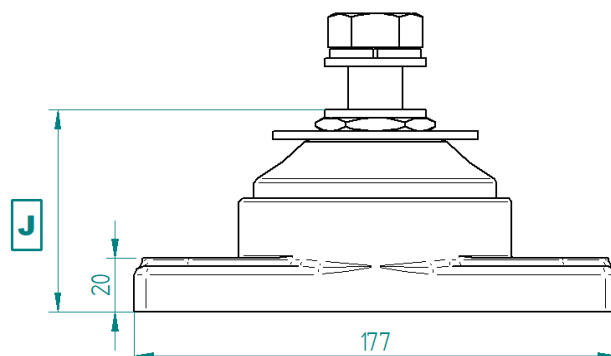


### MODEL SPECIFIC DIMENSIONS :

Model	Overall Height (H)		Min Free Height (J)		Height Adjustment (J)	
	(mm)	(in)	(mm)	(in)	(mm)	(in)
M90-20S	172	6.77	104	4.09	10	0.39
M90-24S	196	7.72	104	4.09	10	0.39
M90-20B	-	-	75	2.95	-	-
M90-24B	-	-	78	3.07	-	-



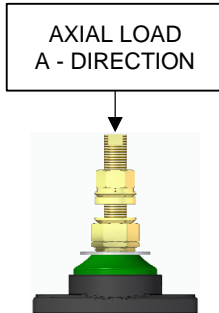
Mount model M90-20S or M90-24S



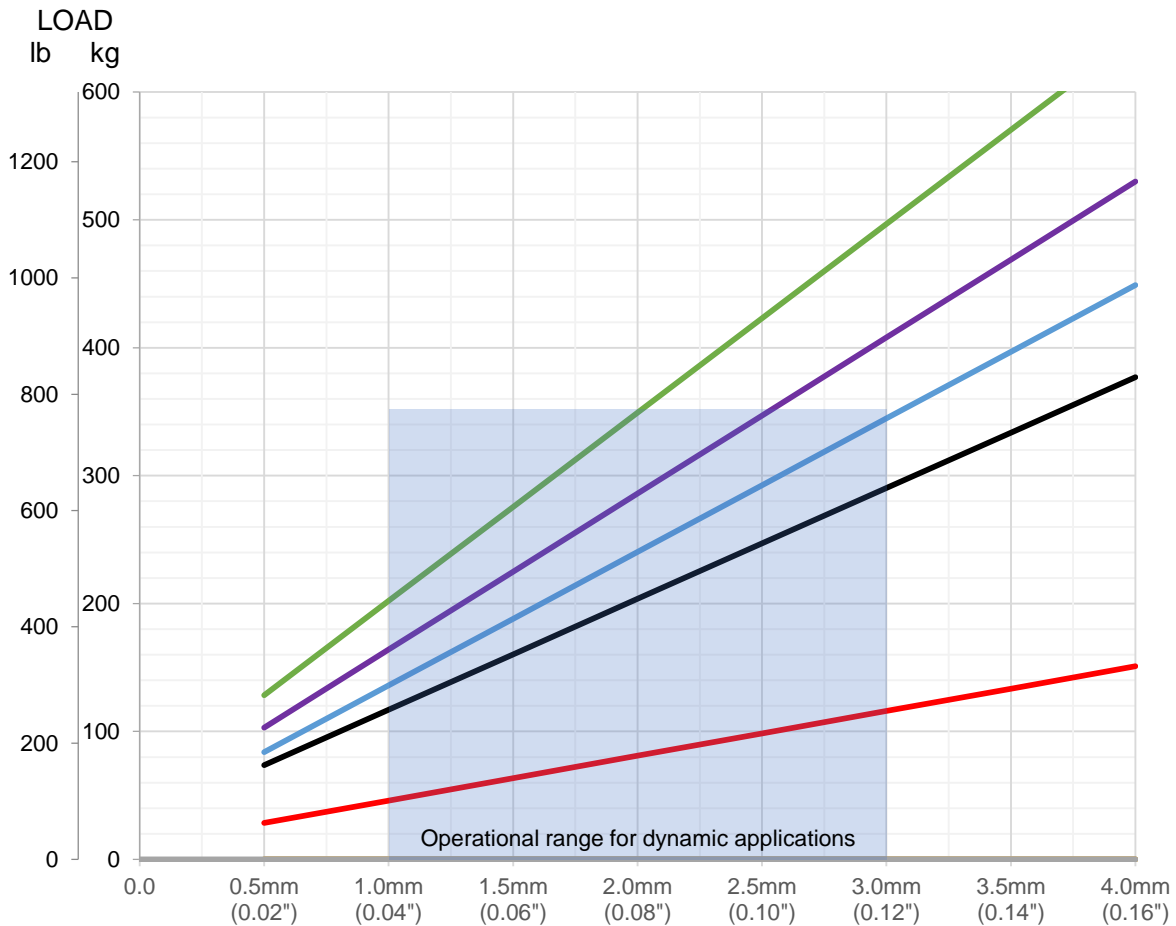
Mount model M90-20B or M90-24B

# ISOFLEX MOUNT DATA SHEET - M90

## Loading Type: Axial - Vertical Down (A-direction)



Resilient Core Colour	Spring Rate at 2mm	
	(kg/cm)	(lb/in)
Red	350	1960
Black	865	4845
Light Blue	1045	5850
Dark Blue	1220	6830
Green	1475	8260

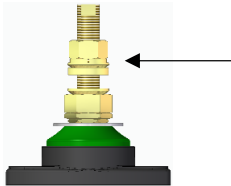


Graph: Static Axial Vertical Load [kg] (lb) versus Deflection [mm] (in)

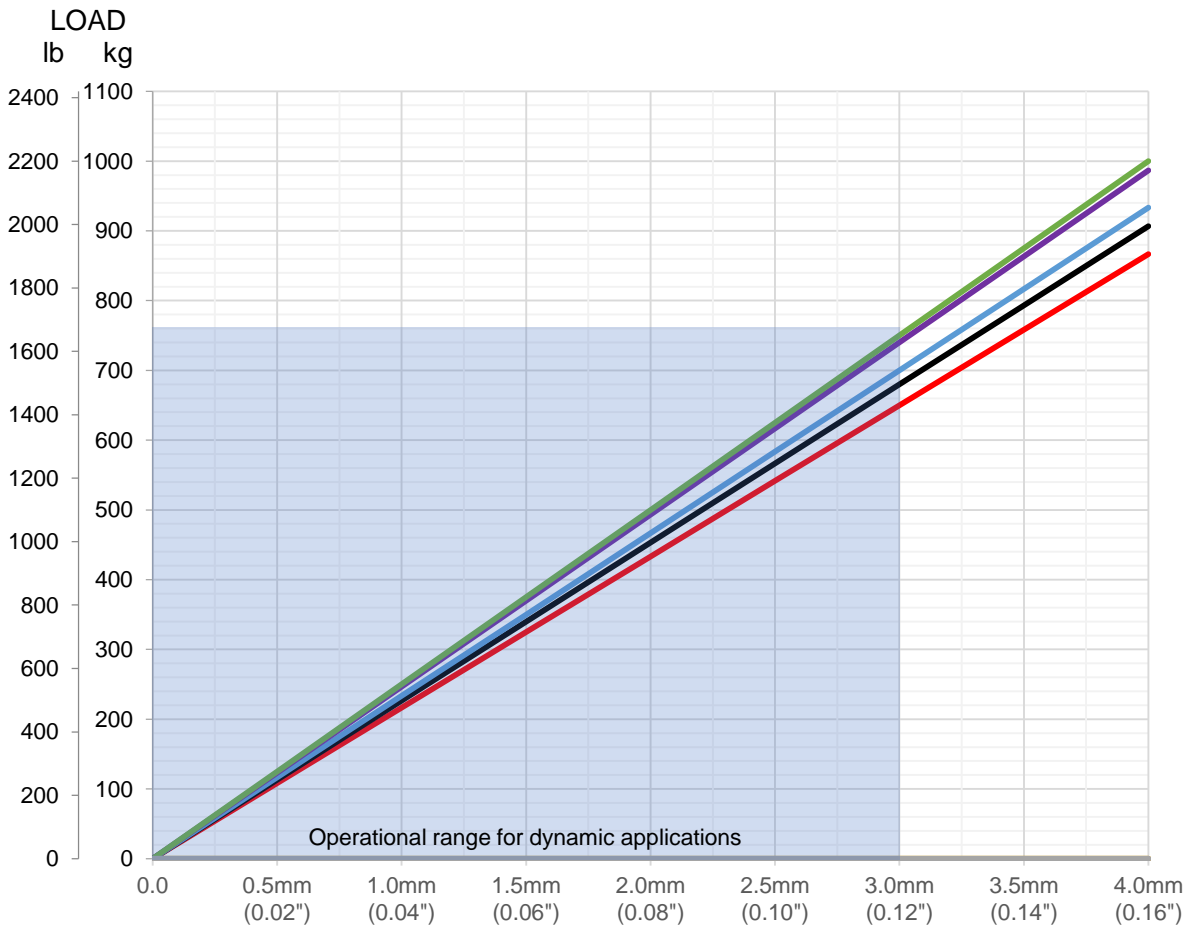
# ISOFLEX MOUNT DATA SHEET - M90

## Loading Type: Longitudinal Thrust (T-direction)

LONGITUDINAL THRUST  
T - DIRECTION



Resilient Core Colour	Spring Rate at 2mm	
	(kg/cm)	(lb/in)
Red	2165	12125
Black	2265	12685
Light Blue	2335	13075
Dark Blue	2465	13805
Green	2500	14000

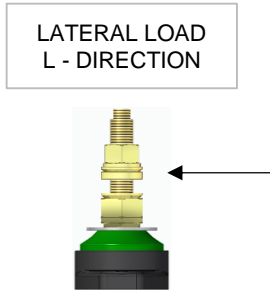


**Graph: Static Longitudinal Load [kg] (lb) versus Deflection [mm] (in)**

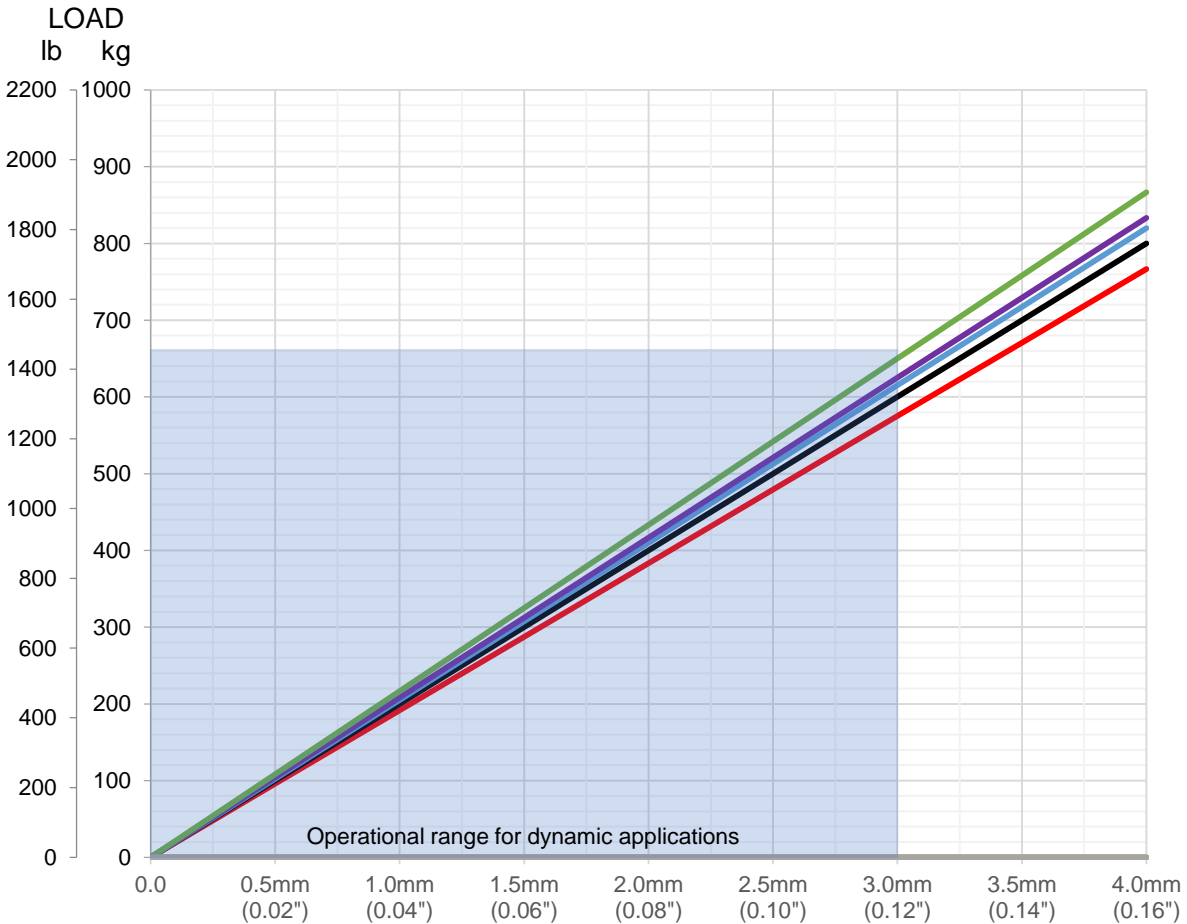
Note: Stated spring rate with 2.5mm axial compression simulation load

# ISOFLEX MOUNT DATA SHEET - M90

## Loading Type: Lateral (L-direction)



Resilient Core Colour	Spring Rate at 2mm	
	(kg/cm)	(lb/in)
Red	1915	10725
Black	2000	11200
Light Blue	2050	11480
Dark Blue	2085	11675
Green	2165	12125



**Graph: Static Lateral Load [kg] (lb) versus Deflection [mm] (in)**

Note: Stated spring rate with 2.5mm axial compression simulation load