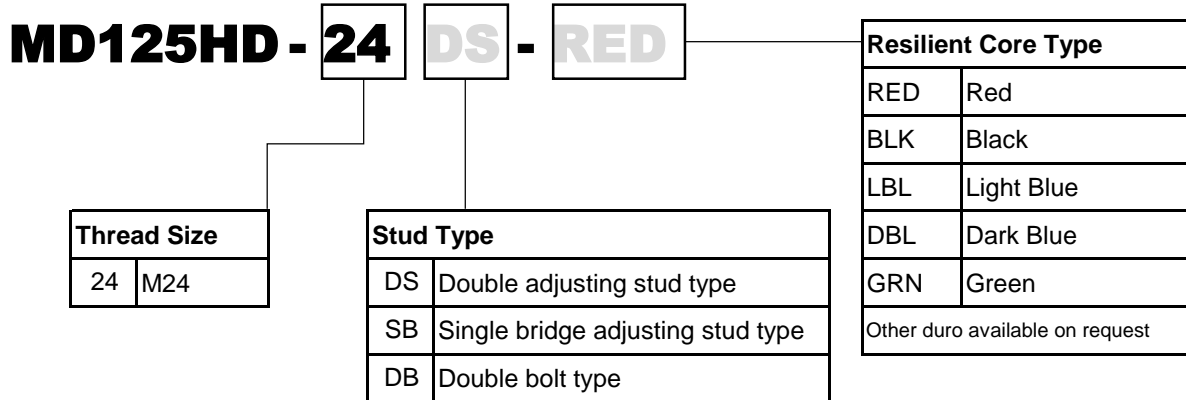


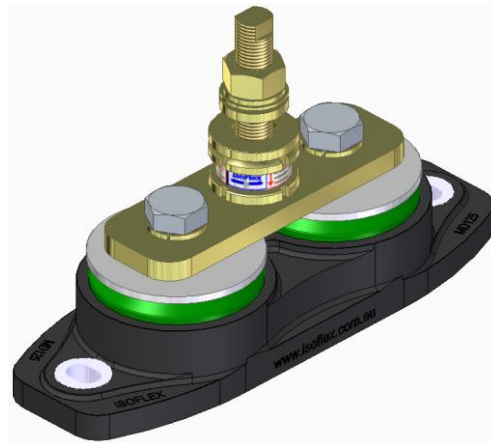
ISOFLEX MOUNT DATA SHEET - MD125HD



Base: Black - 75 SDH-D
 Metal components a combination of marine alloy, stainless steel
 and components zinc plated to ASTM B633 Type II SC3



Mount model MD125HD-24DS



Mount model MD125HD-24SB

WEIGHT:

Model	Metric (kg)	Imperial (lb)
MD125HD-24DS	6.3	13.9
MD125HD-24SB	6.3	13.9
MD125HD-24DB	5.1	11.2

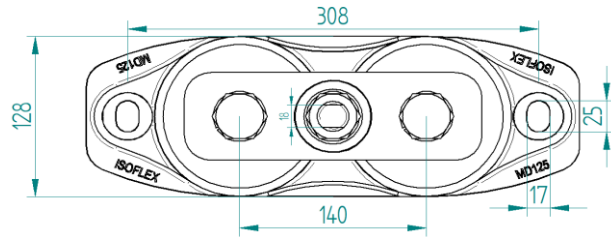
SPECIFICATION:

	Metric (kg)	Imperial (lb)
Recommended working load per mount	500-1500	1100-3300

ISOFLEX MOUNT DATA SHEET - MD125HD

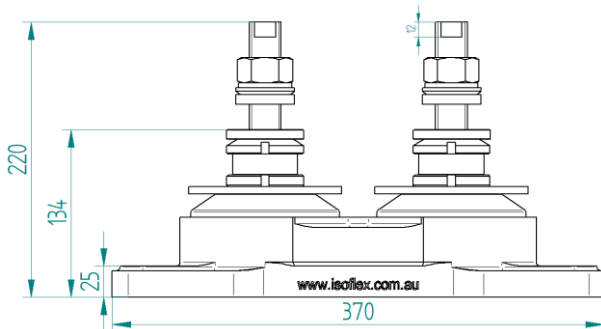
COMMON DIMENSIONS :

	Metric (mm)	Imperial (in)
Base length	370	14.57
Base width	128	5.04
Base bolt centres	308	12.13
Base thickness	25	0.98
Base bolt size	M16	5/8
Core centres	140	5.51

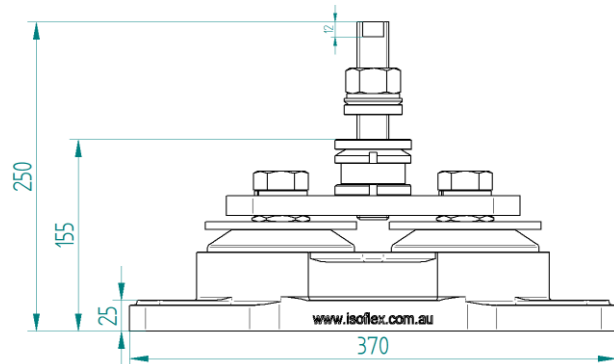


MODEL SPECIFIC DIMENSIONS :

Model	Overall Height (H)		Min Free Height (J)		Height Adjustment (J)	
	(mm)	(in)	(mm)	(in)	(mm)	(in)
MD125HD-24DS	220	8.66	134	5.28	10	0.39
MD125HD-24SB	250	9.84	155	6.10	10	0.39
MD125HD-24DB	-	-	100	3.94	-	-



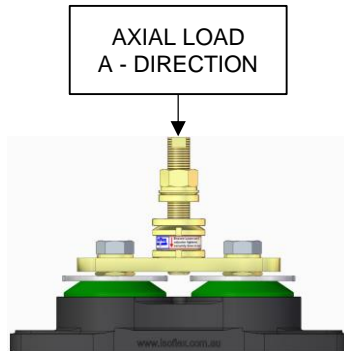
Mount model MD125HD-24DS



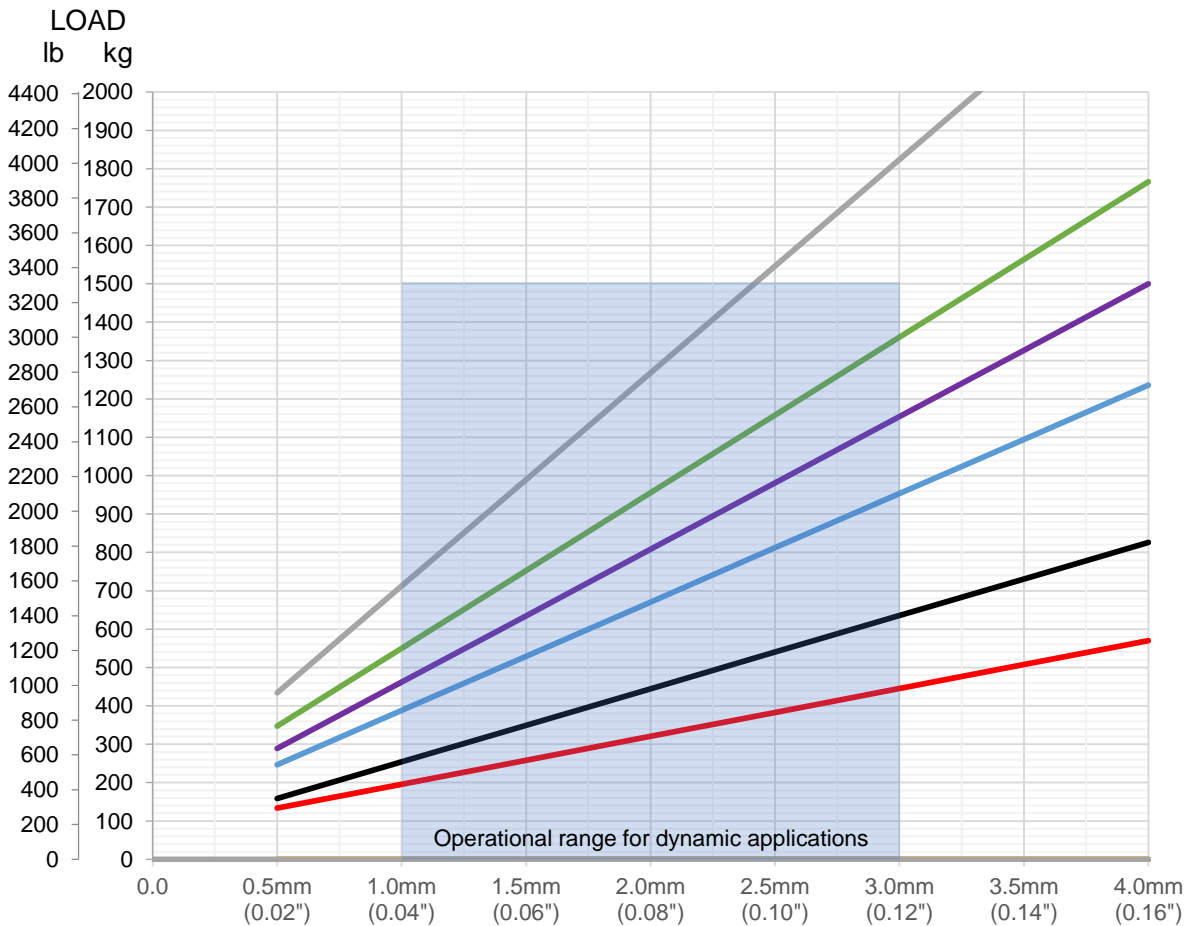
Mount model MD125HD-24SB

ISOFLEX MOUNT DATA SHEET - MD125HD

Loading Type: Axial - Vertical Down (A-direction)



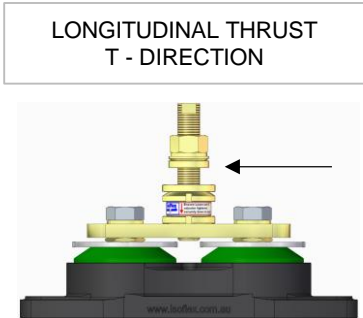
Resilient Core Colour	Spring Rate at 2mm	
	(kg/cm)	(lb/in)
Red	1245	6970
Black	1905	10670
Light Blue	2825	15820
Dark Blue	3460	19375
Green	4055	22710
Grey	5560	31135



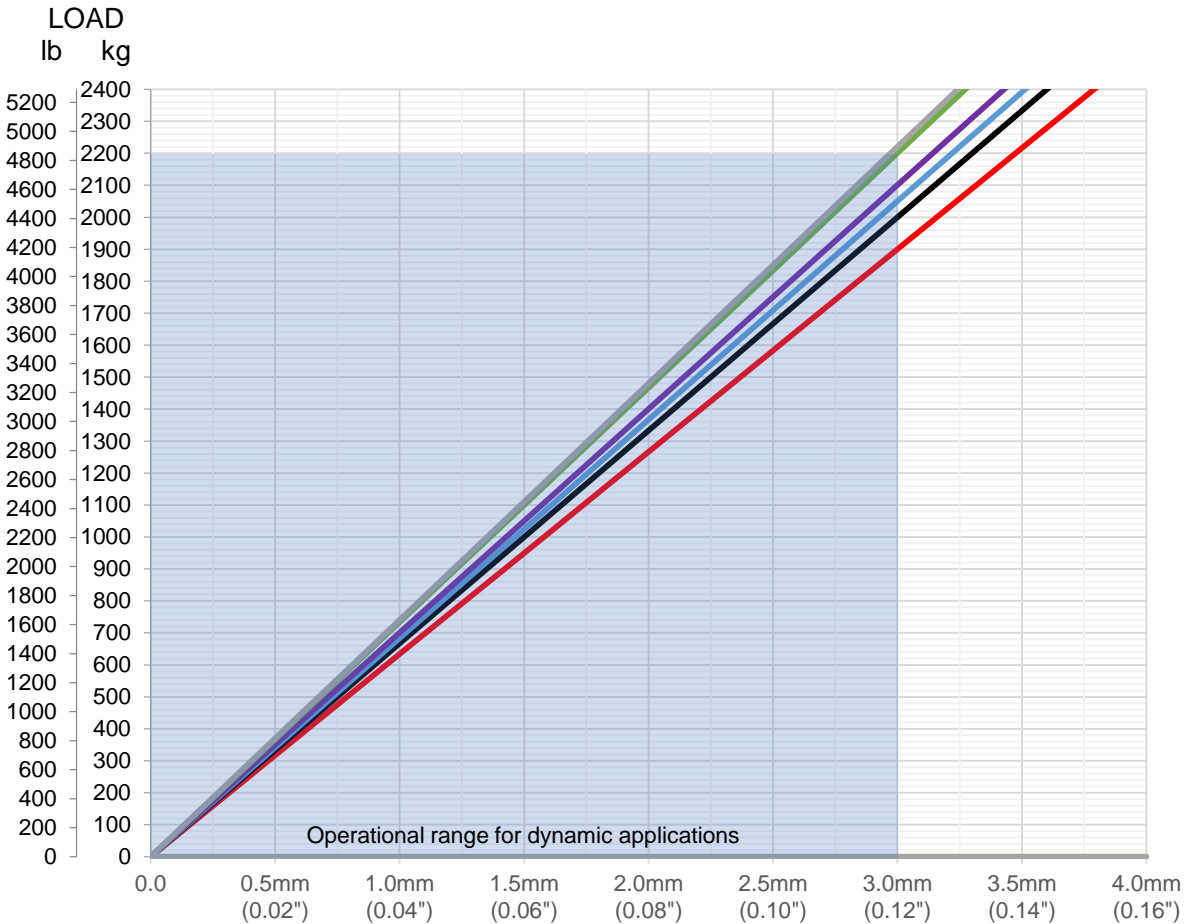
Graph: Static Axial Vertical Load [kg] (lb) versus Deflection [mm] (in)

ISOFLEX MOUNT DATA SHEET - MD125HD

Loading Type: Longitudinal Thrust (T-direction)



Resilient Core Colour	Spring Rate at 2mm	
	(kg/cm)	(lb/in)
Red	6335	35475
Black	6665	37325
Light Blue	6835	38275
Dark Blue	7000	39200
Green	7335	41075
Grey	7400	41440

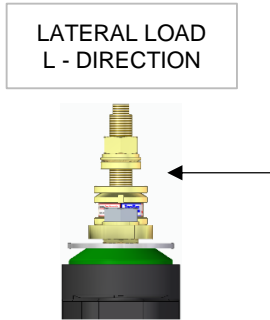


Graph: Static Longitudinal Load [kg] (lb) versus Deflection [mm] (in)

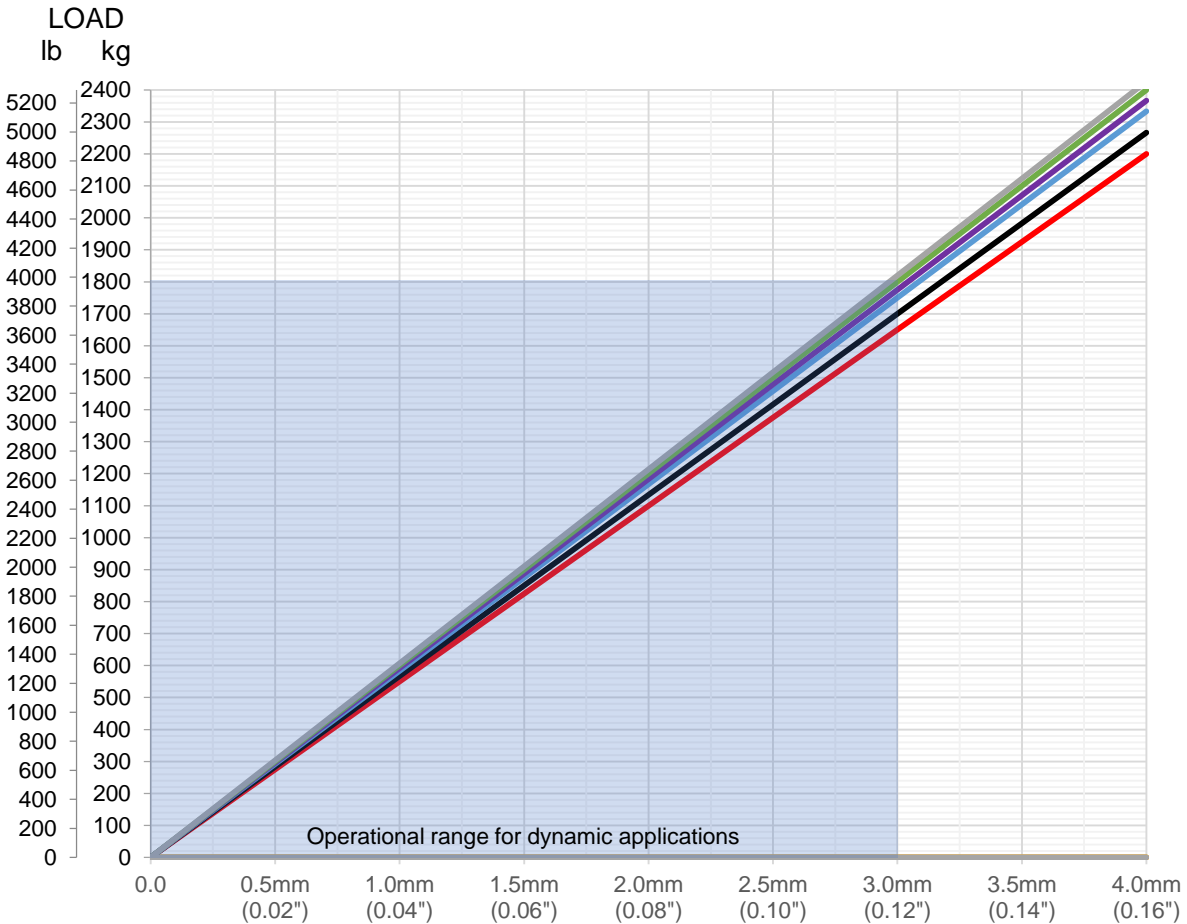
Note: Stated spring rate with 2.5mm axial compression simulation load

ISOFLEX MOUNT DATA SHEET - MD125HD

Loading Type: Lateral (L-direction)



Resilient Core Colour	Spring Rate at 2mm	
	(kg/cm)	(lb/in)
Red	5500	30800
Black	5665	31725
Light Blue	5835	32675
Dark Blue	5915	33125
Green	6000	33600
Grey	6065	33965



Graph: Static Lateral Load [kg] (lb) versus Deflection [mm] (in)

Note: Stated spring rate with 2.5mm axial compression simulation load