



# IsoFlex Technologies Pty Ltd.

Unit 33, 75 Waterway Drive, Gold Coast Marine Precinct, Coomera, Queensland, Australia. 4209  
 Ph: 1300 366 393 Ph: 07 555 60 924 F: 07 555 60 984 Int prefix: 617  
 Email: info@isoflex.com.au  
 Home Page: www.isoflex.com.au

## IsoFlex Mount Data Sheet

### Loading Type:

**Axial - Vertical Down (A-direction)**

**Mount Model: MD125XHD-24DB**

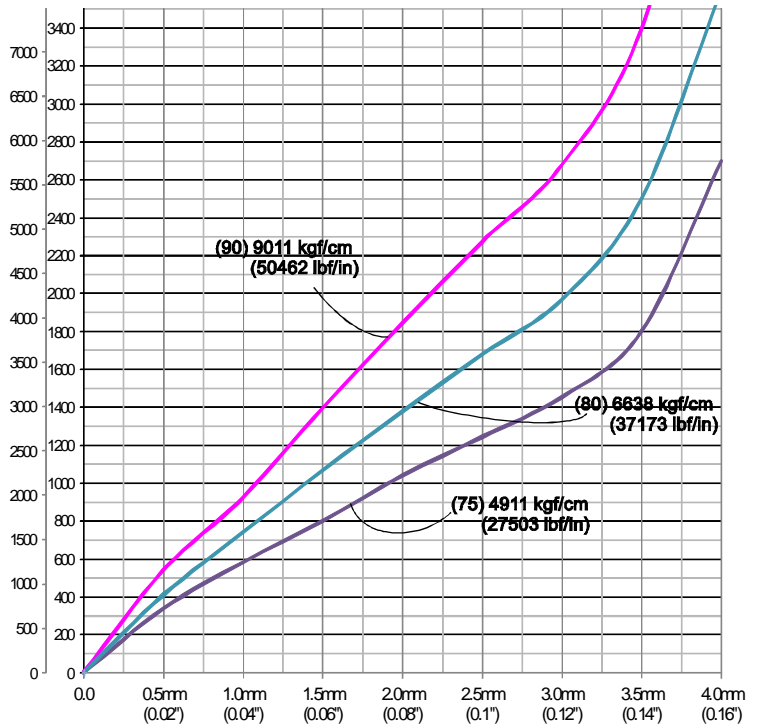
'MD125' = model number  
 'XHD' = Extra Heavy Duty  
 'D' = double core mount  
 '24' = thread size  
 'DB' = 2 x Bolt type

Resilient Element Colour	Shore Durometer Hardness A-scale SDH-A
Yellow	50
Red	60
Black	70
Royal Blue	75
Green	80
Grey	90

**Base:** Black - 75 SDH-D

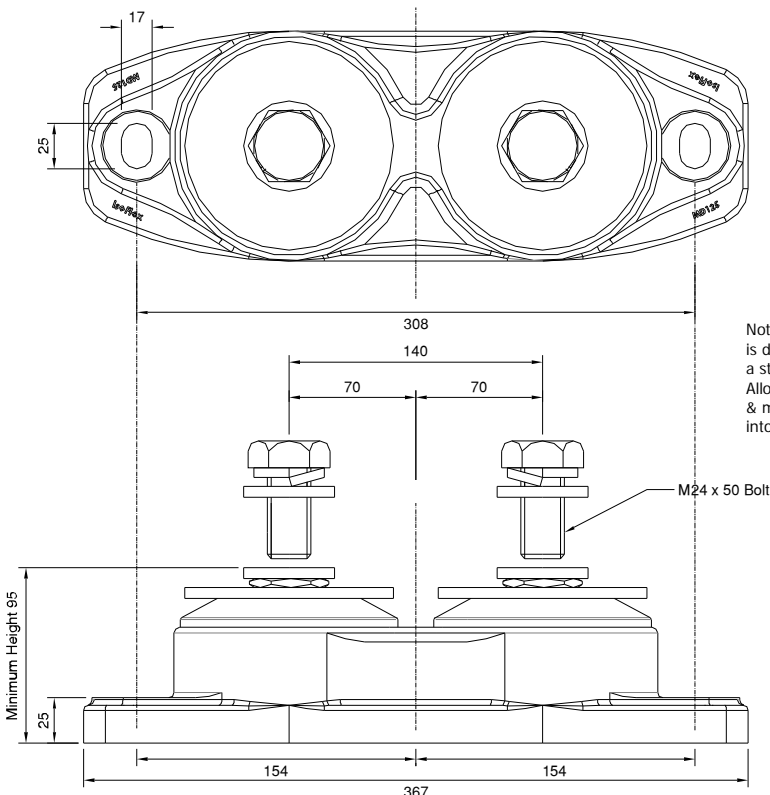
All metal components zinc plated to ASTM B633 SC3

**LOAD**  
 lbf kgf



**Graph 1: Static Axial Vertical Load[kg] (A-direction) versus Deflection[mm] (ins)**  
 Data shown: (x) = SDH-A Hardness  
 kgf/cm (lbf/in) = Spring Rate for working load range.

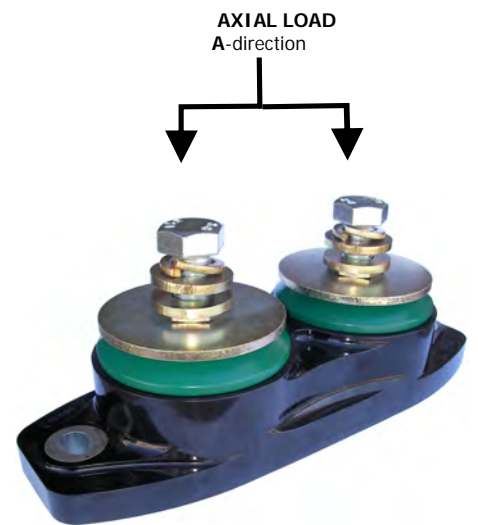
Note: Stated Spring Rate average @ 3mm



IsoFlex Mount Model: **MD125XHD-24DB**

Dimensions in millimetres (mm.) - unless stated otherwise

Note: As the bolt length required is dependent on the application, a standard length bolt is supplied. Allow a minimum of 1x bolt dia & maximum of 1.5x bolt dia into the mount.



Model Number: MD125XHD-24DB illustrated

Drawing Number: DSA-MD125XHD-24DB Rev1  
 Drawn: WF Date: 23 April 2012

Copyright © 2012 **IsoFlex Technologies Pty Ltd.**

Specifications are subject to change without notice.



# IsoFlex Technologies Pty Ltd.

Unit 33, 75 Waterway Drive, Gold Coast Marine Precinct, Coomera, Queensland, Australia. 4209  
 Ph: 1300 366 393 Ph: 07 555 60 924 F: 07 555 60 984 Int prefix: 617  
 Email: info@isoflex.com.au  
 Home Page: www.isoflex.com.au

## IsoFlex Mount Data Sheet

### Loading Type:

**Longitudinal Thrust (T-direction)**

**Mount Model: MD125XHD-24DB**

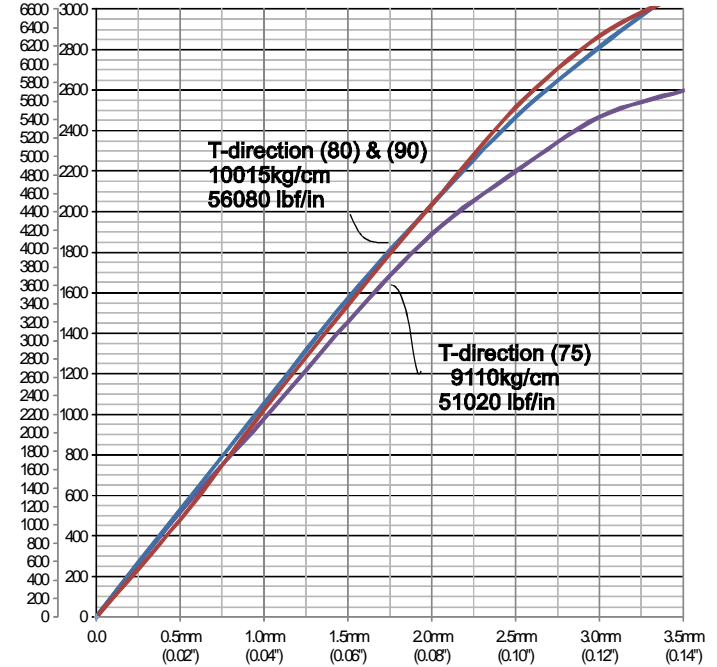
'MD125' = model number  
 'XHD' = Extra Heavy Duty  
 '24' = thread size  
 'DB' = Double Bolt type

Resilient Element Colour	Shore Durometer Hardness A-scale SDH-A
Yellow	50
Red	60
Black	70
Royal Blue	75
Green	80
Grey	90

**Base:** Black - 75 SDH-D

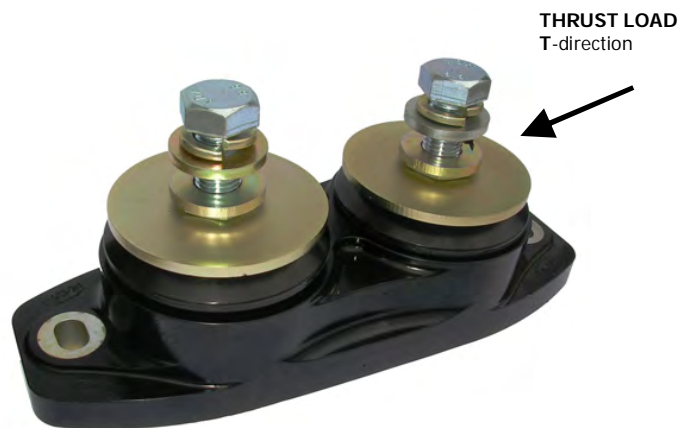
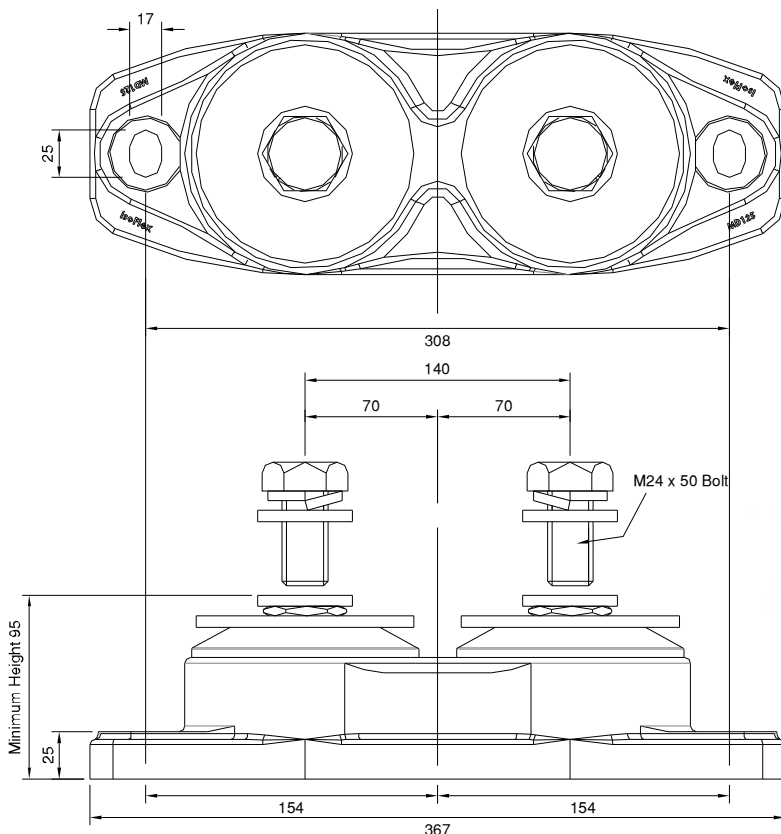
All metal components zinc plated to ASTM B633 SC3

**LOAD**  
**Lbs kg**



**Graph:**  
**Static Longitudinal Thrust Load (T-direction) versus Deflection[mm] (ins)**

Note: Stated Spring Rate average @ 2mm



Drawing Number: DST-MD125XHD-24 DB  
 Drawn: WF Date: 26 June 2012

Copyright © 2012 **IsoFlex Technologies Pty Ltd.**

Specifications are subject to change without notice.

Dimensions in millimetres (mm.) - unless stated otherwise



**IsoFlex Mount Data Sheet**

**Loadings:**

**Lateral Thrust (L-direction)**

**Mount Model: MD125XHD-24DB**

'MD125' = model number  
 'XHD' = Extra Heavy Duty  
 '24' = thread size  
 'DB' = Double Bolt type

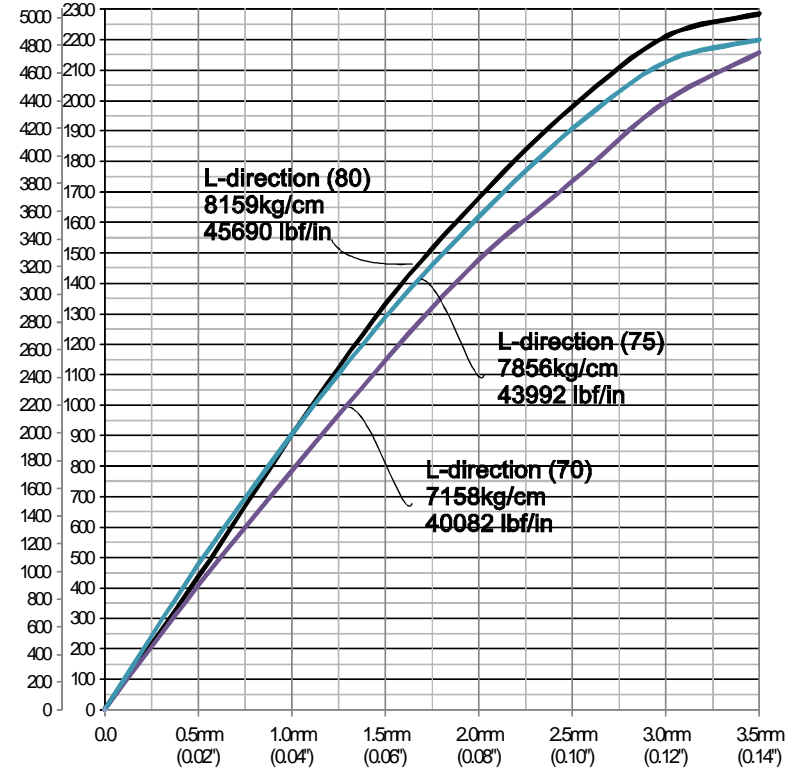
Resilient Element Colour	Shore Durometer Hardness A-scale SDH-A
Yellow	50
Red	60
Black	70
Royal Blue	75
Green	80
Grey	90

**Base:** Black - 75 SDH-D

All metal components zinc plated to ASTM B633 SC3

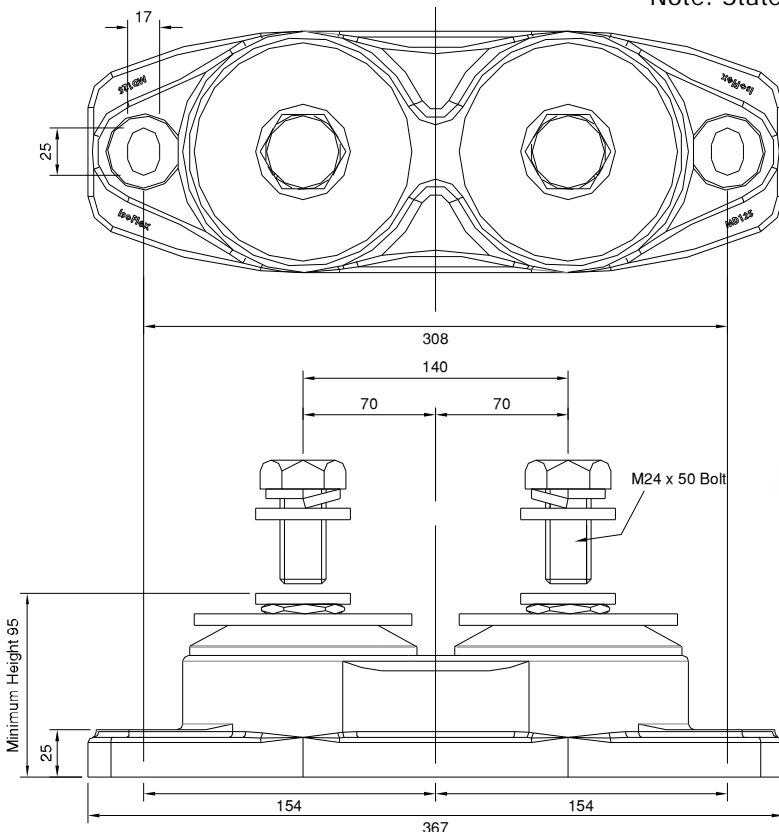
**LOAD**

**Lbs kg**



**Graph:**  
**Static Lateral Load[kg] (L-direction) versus Deflection[mm] (ins)**

Note: Stated Spring Rate average @ 2mm



**Lateral LOAD  
 L-direction**

Drawing Number: DSL-MD125XHD-24 DB  
 Drawn: WF Date: 26 June 2012