

ISOFLEX MOUNT DATA SHEET - MD125XHD

MD125XHD - 24 DS - BLK

Thread Size	
24	M24

Stud Type	
DS	Double adjusting stud type
SB	Single bridge adjusting stud type
DB	Double bolt type

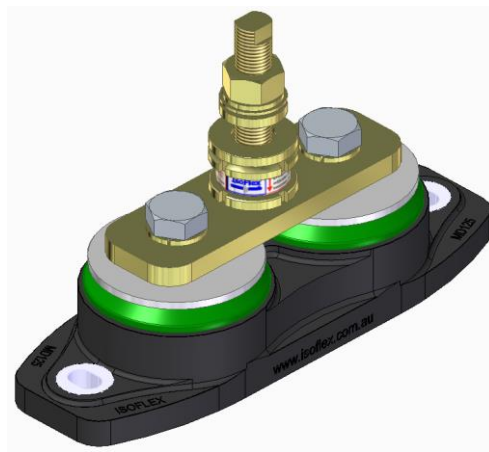
Resilient Core Type	
BLK	Black
LBL	Light Blue
DBL	Dark Blue
GRN	Green
GRY	Grey
Other duro available on request	

Base: Black - 75 SDH-D

Metal components a combination of marine alloy, stainless steel and components zinc plated to ASTM B633 Type II SC3



Mount model MD125XHD-24DS



Mount model MD125XHD-24SB

WEIGHT:

Model	Metric (kg)	Imperial (lb)
MD125XHD-24DS	6.4	14.1
MD125XHD-24SB	6.4	14.1
MD125XHD-24DB	5.9	13.0

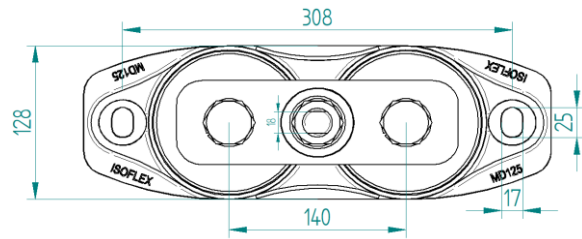
SPECIFICATION:

	Metric (kg)	Imperial (lb)
Recommended working load per mount	1200-2000	2640-4400

ISOFLEX MOUNT DATA SHEET - MD125XHD

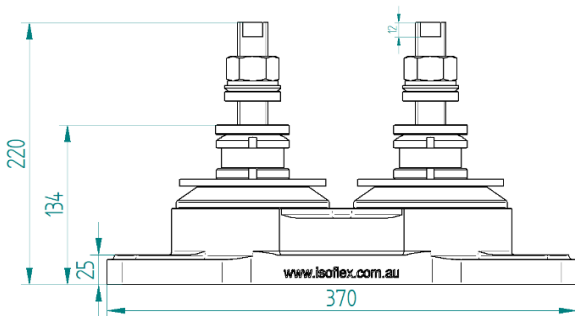
COMMON DIMENSIONS :

	Metric (mm)	Imperial (in)
Base length	370	14.57
Base width	128	5.04
Base bolt centres	308	12.13
Base thickness	25	0.98
Base bolt size	M16	5/8
Core centres	140	5.51

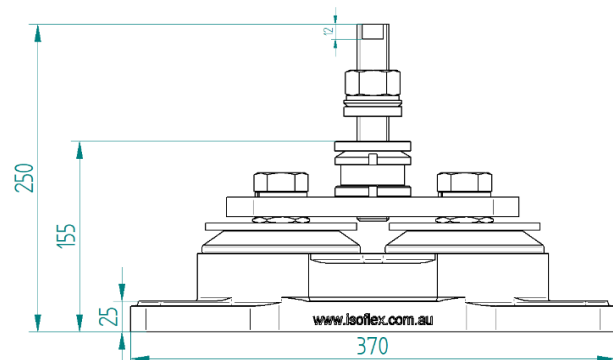


MODEL SPECIFIC DIMENSIONS :

Model	Overall Height (H)		Min Free Height (J)		Height Adjustment (J)	
	(mm)	(in)	(mm)	(in)	(mm)	(in)
MD125XHD-24DS	220	8.66	134	5.28	10	0.39
MD125XHD-24SB	250	9.84	155	6.10	10	0.39
MD125XHD-24DB	-	-	100	3.94	-	-



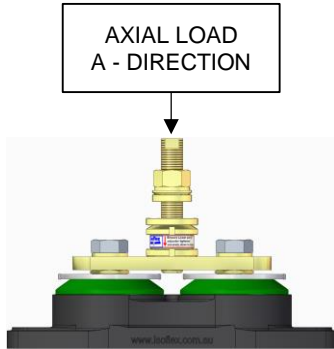
Mount model MD125XHD-24DS



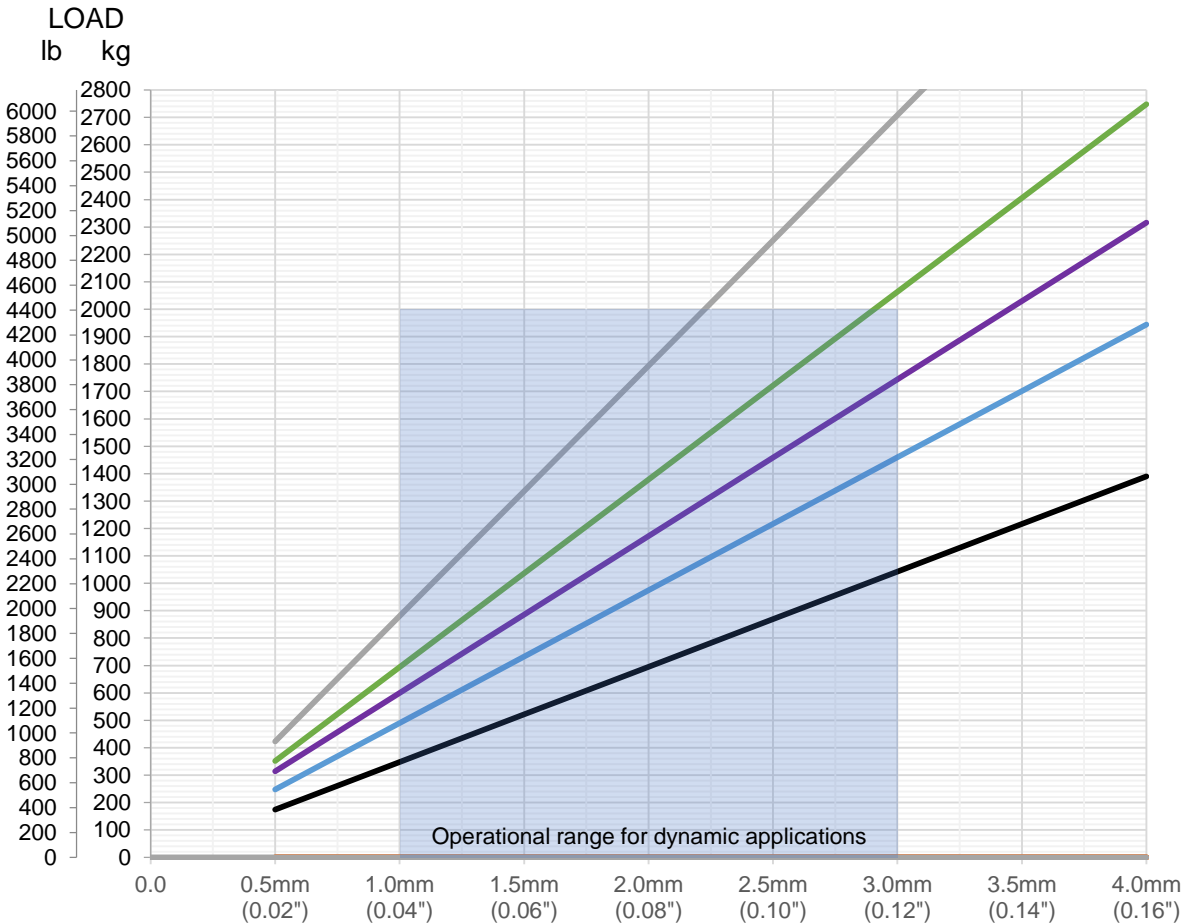
Mount model MD125XHD-24SB

ISOFLEX MOUNT DATA SHEET - MD125XHD

Loading Type: Axial - Vertical Down (A-direction)



Resilient Core Colour	Spring Rate at 2mm	
	(kg/cm)	(lb/in)
Black	3475	19460
Light Blue	4845	27130
Dark Blue	5720	32030
Green	6845	38330
Grey	9140	51185

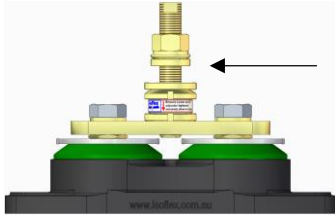


Graph: Static Axial Vertical Load [kg] (lb) versus Deflection [mm] (in)

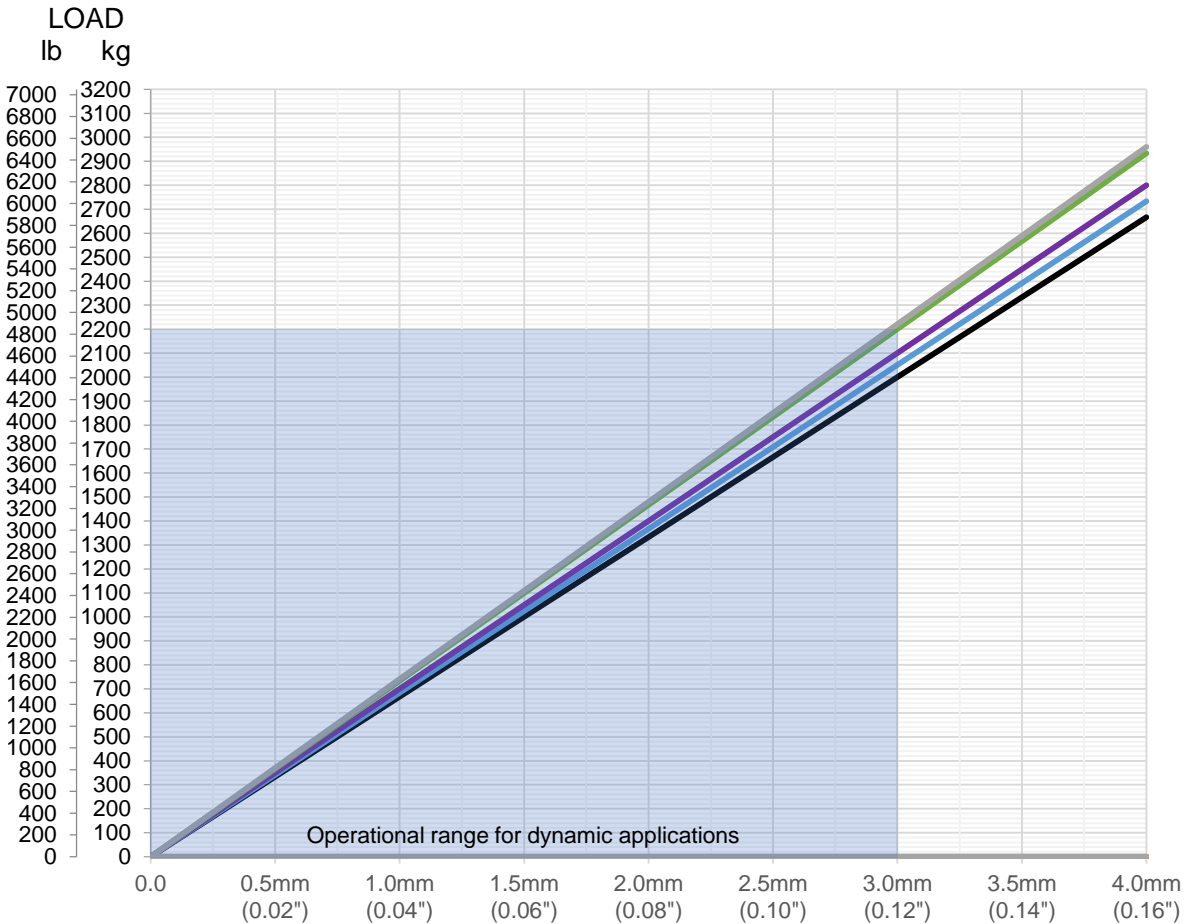
ISOFLEX MOUNT DATA SHEET - MD125XHD

Loading Type: Longitudinal Thrust (T-direction)

LONGITUDINAL THRUST
T - DIRECTION



Resilient Core Colour	Spring Rate at 2mm	
	(kg/cm)	(lb/in)
Black	6665	37325
Light Blue	6835	38275
Dark Blue	7000	39200
Green	7335	41075
Grey	7400	41440

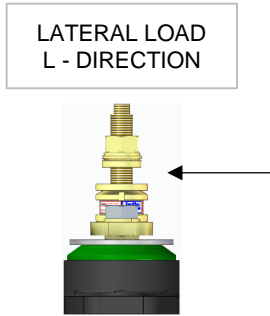


Graph: Static Longitudinal Load [kg] (lb) versus Deflection [mm] (in)

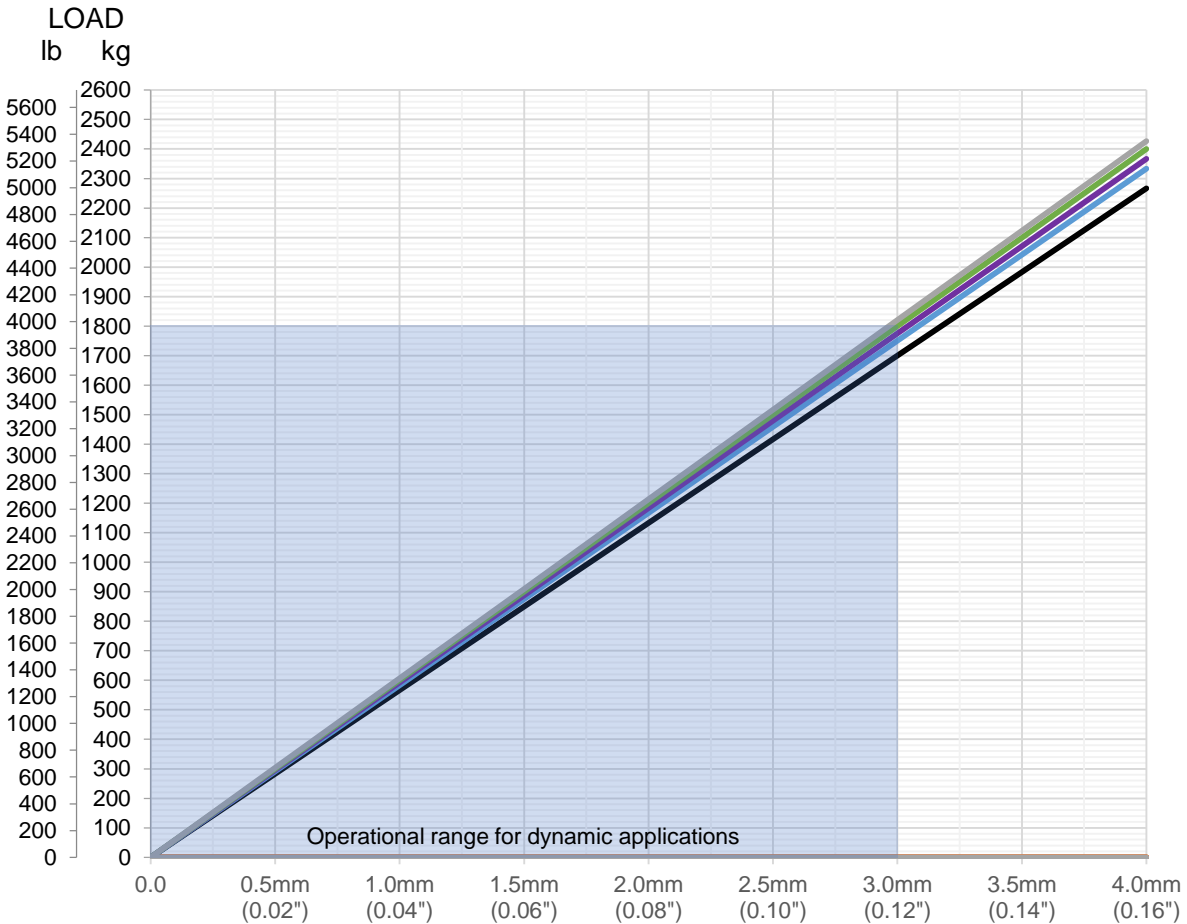
Note: Stated spring rate with 2.5mm axial compression simulation load

ISOFLEX MOUNT DATA SHEET - MD125XHD

Loading Type: Lateral (L-direction)



Resilient Core Colour	Spring Rate at 2mm	
	(kg/cm)	(lb/in)
Black	5665	31725
Light Blue	5835	32675
Dark Blue	5915	33125
Green	6000	33600
Grey	6065	33965



Graph: Static Lateral Load [kg] (lb) versus Deflection [mm] (in)

Note: Stated spring rate with 2.5mm axial compression simulation load