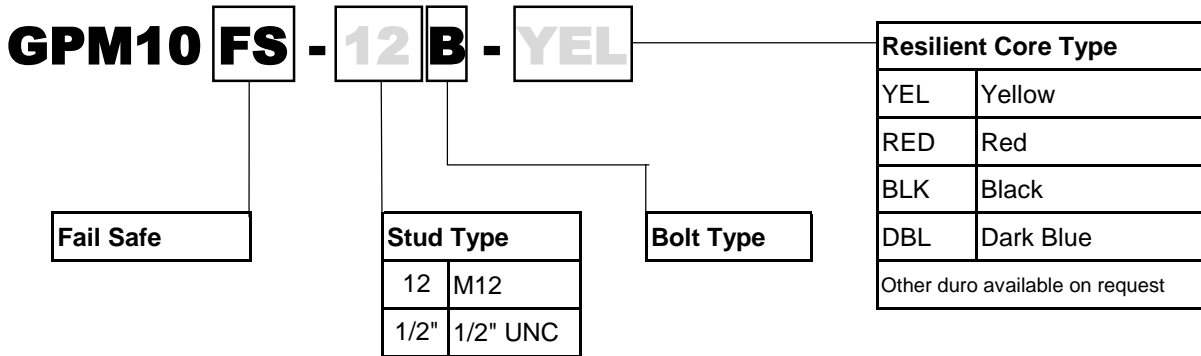


ISO FLEX MOUNT DATA SHEET - GPM10FS



Base: Black - 75 SDH-D

Metal components a combination of marine alloy, stainless steel and components zinc plated to ASTM B633 Type II SC3



Mount model GPM10FS-12B or GPM10FS-1/2"B

WEIGHT:

Model	Metric	Imperial
	(kg)	(lb)
GPM10FS-12B	0.35	0.77
GPM10FS-1/2"B	0.35	0.77

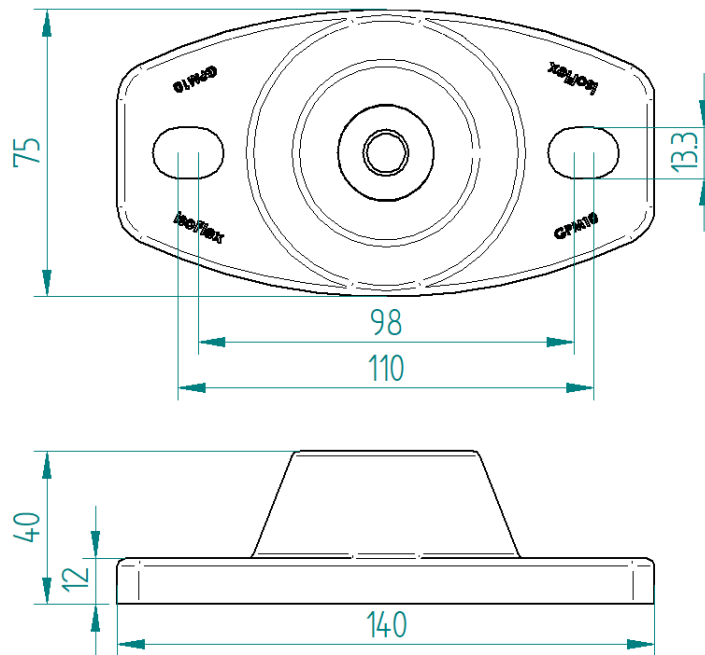
SPECIFICATION:

	Metric	Imperial
	(kg)	(lb)
Recommended working load	40-250	90-550
		per mount

ISO FLEX MOUNT DATA SHEET - GPM10FS

DIMENSIONS :

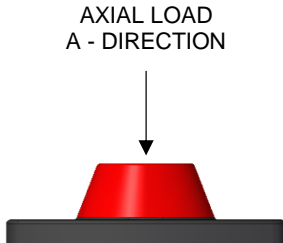
	Metric (mm)	Imperial (in)
Base length	140	5.51
Base width	75	2.95
Base bolt centres	98 - 110	3.9 - 4.3
Base thickness	12	0.47
Base bolt size	M12	1/2
Min free height	40	1.57



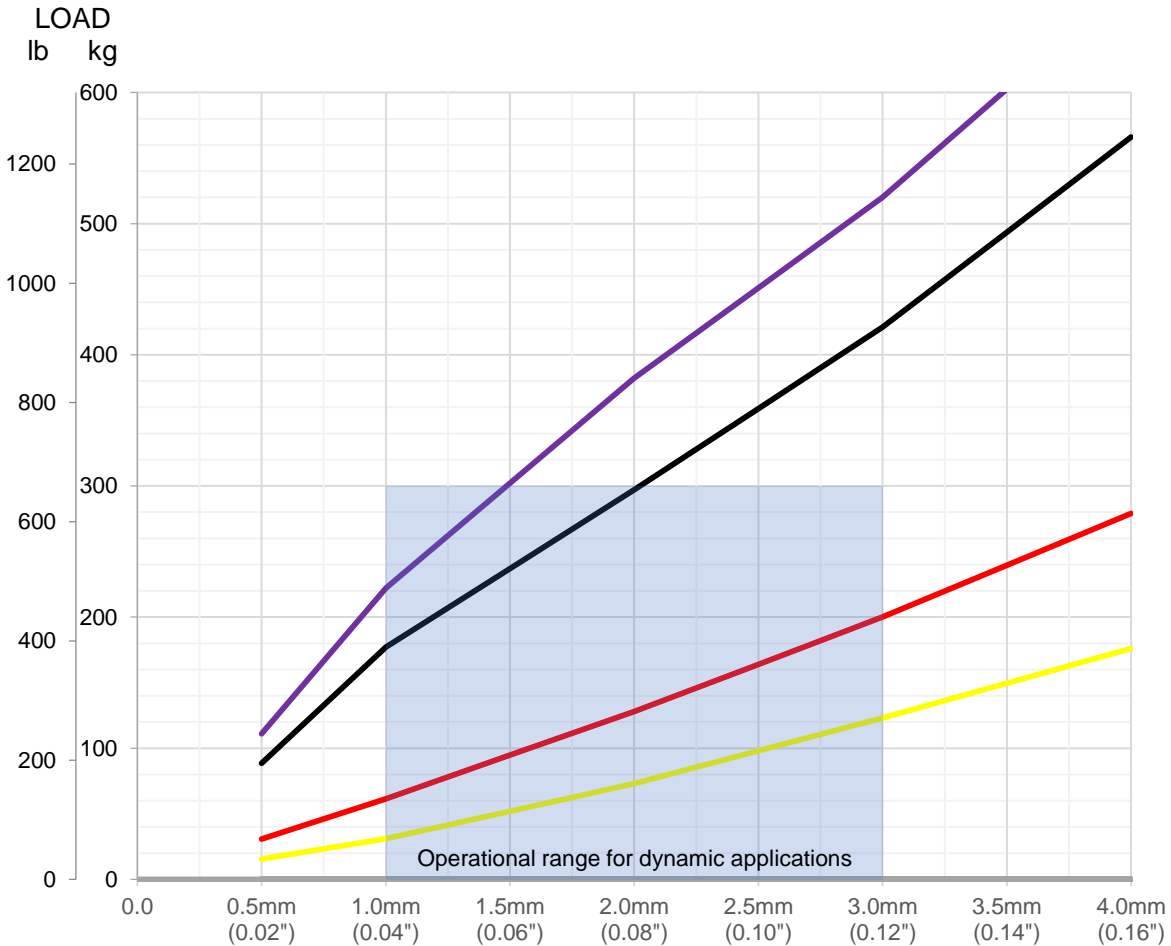
Mount model GPM10FS-12B or GPM10FS-1/2"B

ISOFLEX MOUNT DATA SHEET - GPM10FS

Loading Type: Axial - Vertical Down (A-direction)



Resilient Core Colour	Axial Spring Rate at 2mm	
	(kg/cm)	(lb/in)
Yellow	460	2576
Red	693	3878
Black	1220	6832
Dark Blue	1490	8344



Graph: Static Axial Vertical Load [kg] (lb) versus Deflection [mm] (in)

Note: Stated spring rate average taken @ 2mm compression