



# IsoFlex Technologies Pty Ltd.

Unit 11, 75 Waterway Drive, Gold Coast Marine Precinct, Coomera, Queensland, Australia. 4209  
 Ph: 1300 366 393 Ph: 07 555 60 924 F: 07 555 60 984 Int prefix: 617  
 Email: info@isoflex.com.au  
 Home Page: www.isoflex.com.au

## IsoFlex Mount Data Sheet

### Loading Type:

**Axial (A-direction)**

**Mount Model: GPM13FS-16 B**

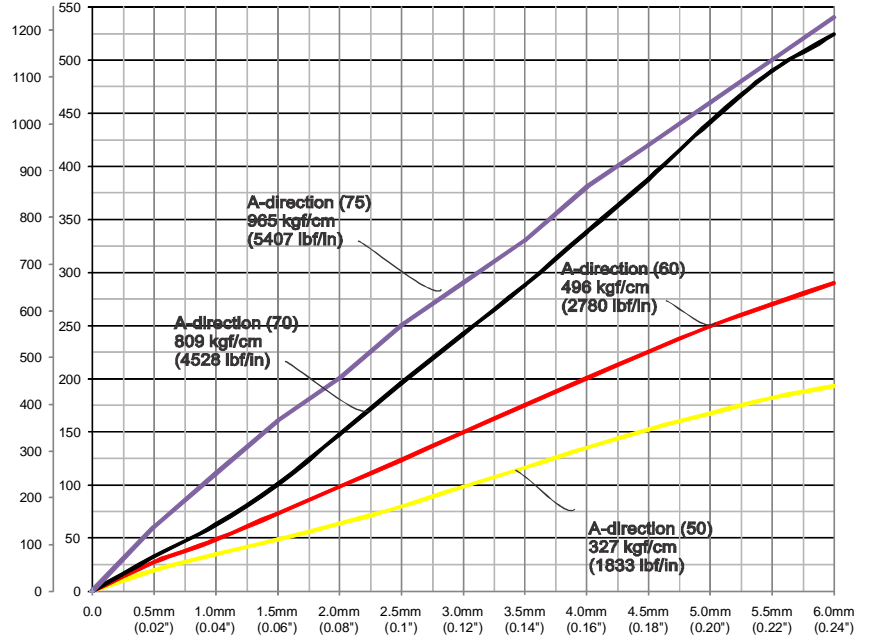
'GPM13' = model number  
 '16' = thread size  
 'B' = bolt type

Resilient Element Colour	Shore Durometer Hardness A-scale SDH-A
Yellow	50
Red	60
Black	70
Royal Blue	75

Base: Black - 75 SDH-D

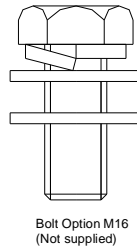
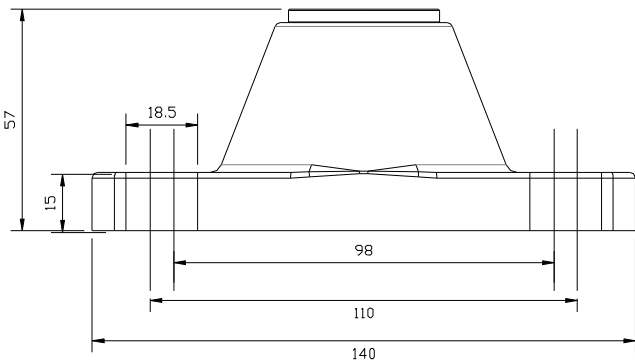
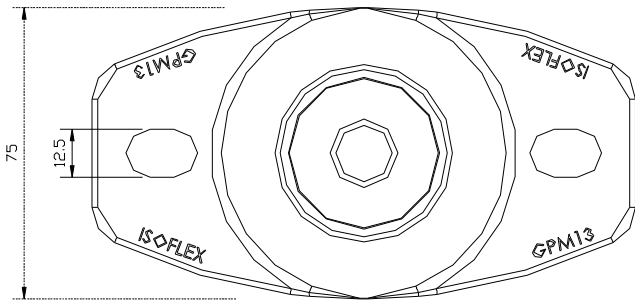
All metal components zinc plated

LOAD  
lbf kgf

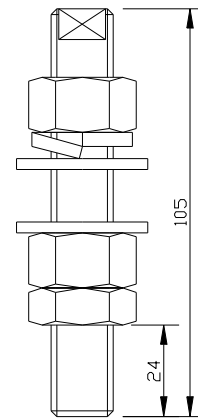


### Graphs:

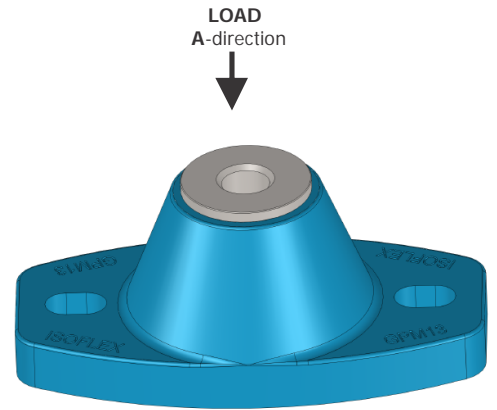
1. Static Axial Vertical Load[kg] (A-direction) versus Deflection[mm] (ins)



Bolt Option M16 (Not supplied)



Stud Option (Not supplied)  
Part No. Stud SA M16 (ZP)



Model Number shown: GPM13FS-16

IsoFlex Mount Model Number: GPM13

Drawing number: DSA-GPM13FS-16 R1  
 Drawn: WF Date: 19 January 2017

Dimensions in millimetres (mm.) - unless stated otherwise

Copyright © 2017 IsoFlex Technologies Pty Ltd.

Specifications are subject to change without notice.