



IsoFlex Technologies Pty Ltd.

Unit 11, 75 Waterway Drive, Gold Coast Marine Precinct, Coomera, Queensland, Australia. 4209
 Ph: 1300 366 393 Ph: 07 555 60 924 F: 07 555 60 984 Int prefix: 617
 Email: info@isoflex.com.au
 Home Page: www.isoflex.com.au

IsoFlex Mount Data Sheet

Loading Type:

Axial (A-direction)

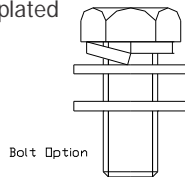
Mount Model: GPM15FS-16B

'GPM15FS' = model number
 '16' = thread size
 'B' = bolt type

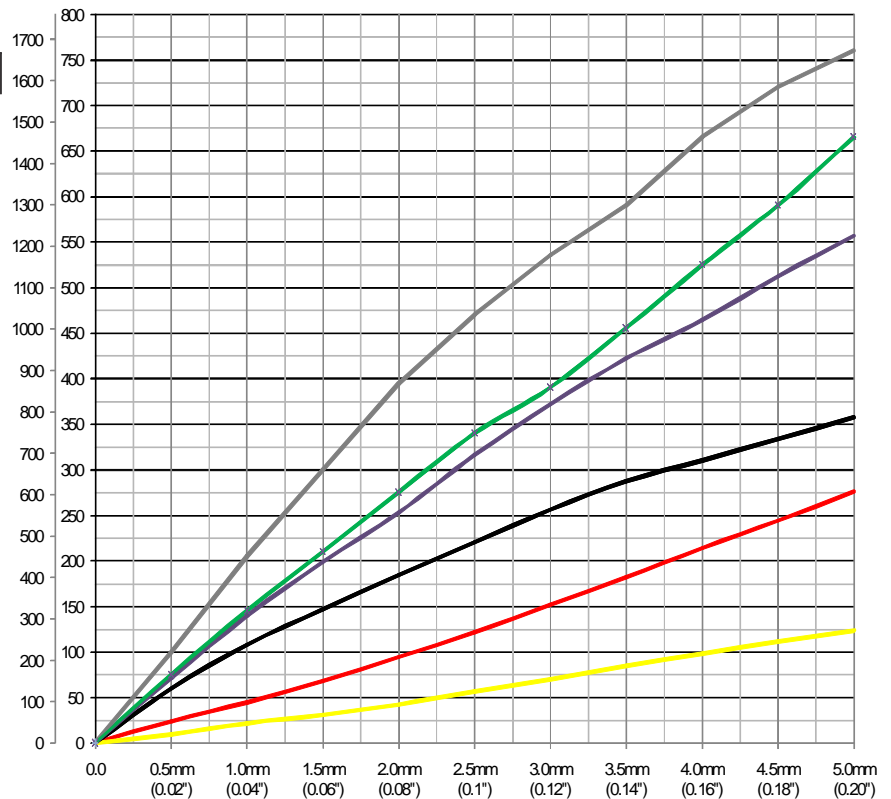
Resilient Element Colour	Shore Durometer Hardness A-scale SDH-A
Yellow	50
Red	60
Black	70
Royal Blue	75
Green	80
Grey	90

Base: Black - 75 SDH-D

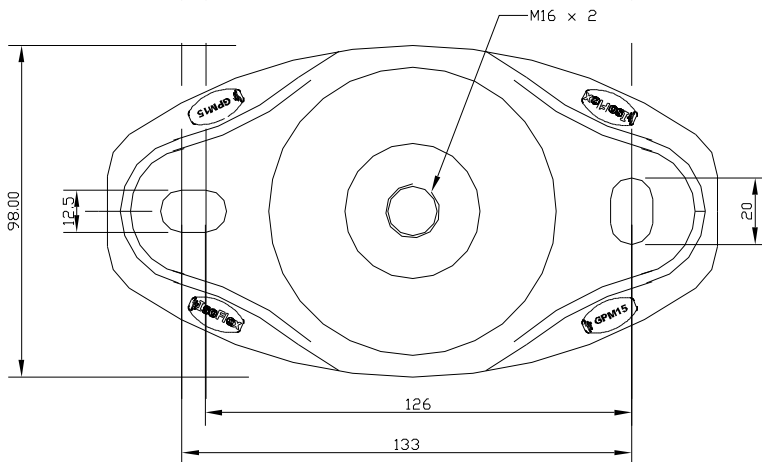
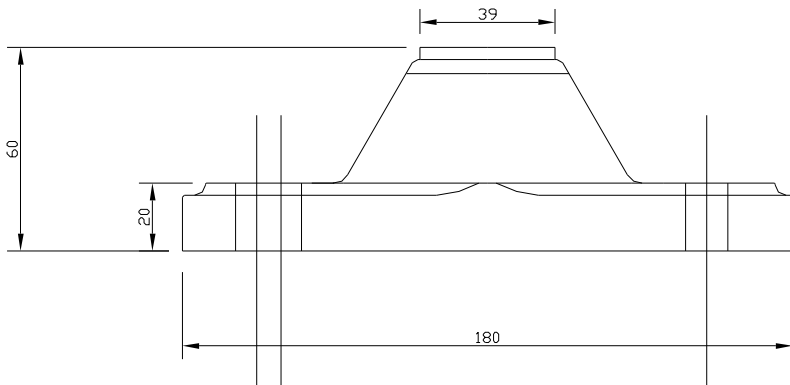
All metal components zinc plated



LOAD
lbf kgf



Graph:
 1. Static Axial Vertical Load[kg] (A-direction) versus Deflection[mm] (ins)



IsoFlex Mount Model Number: GPM15

Dimensions in millimetres (mm.) - unless stated otherwise

SDH-A	Average Spring Rate @ 3mm	
	kg/cm	lb/in
50	235	1315
60	510	2855
70	830	4660
75	1210	6785
80	1325	7430
90	1765	9880

LOAD
A-direction



Model Number shown: GPM15FS-16B(75)

Drawing number: DSA-GPM15FS Rev 2
 Drawn: WF Date: 14 August 2018