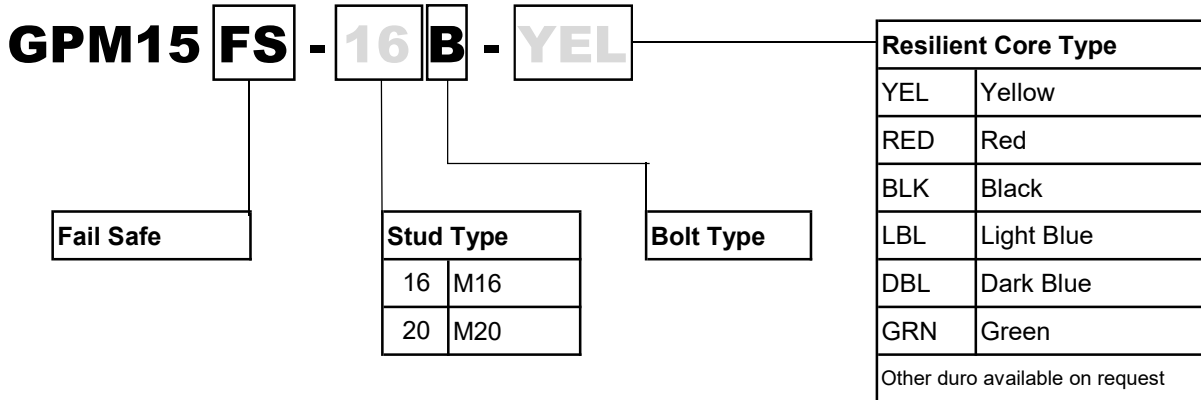
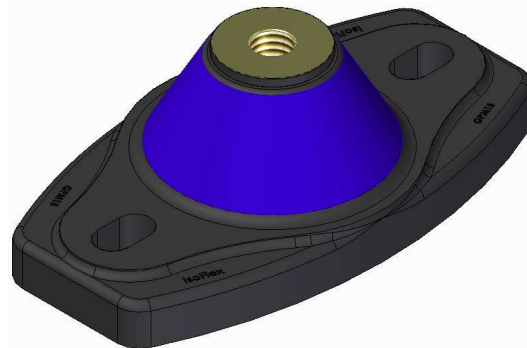


ISO FLEX MOUNT DATA SHEET - GPM15



Base: Black - 75 SDH-D

Metal components a combination of marine alloy, stainless steel and components zinc plated to ASTM B633 Type II SC3



Mount model GPM15FS-16B or GPM15FS-20B

WEIGHT:

Model	Metric	Imperial
	(kg)	(lb)
GPM15FS-16B	0.6	1.3
GPM15FS-20B	0.6	1.3

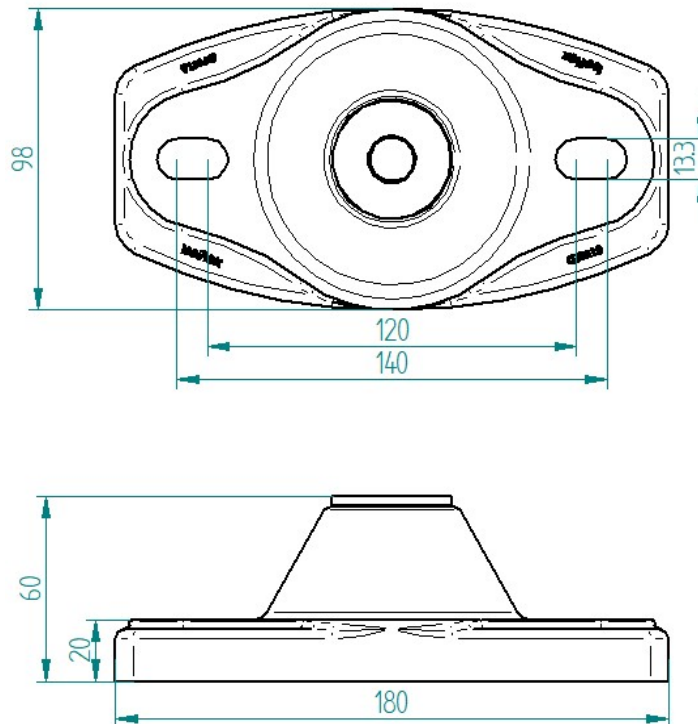
SPECIFICATION:

	Metric	Imperial
	(kg)	(lb)
Recommended working load	75-300	165-660
		per mount

ISOFLEX MOUNT DATA SHEET - GPM15

DIMENSIONS :

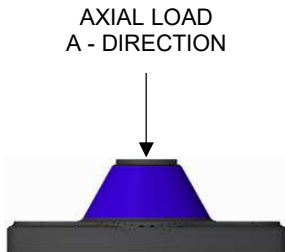
	Metric (mm)	Imperial (in)
Base length	180	7.09
Base width	98	3.86
Base bolt centres	120 - 140	4.7 - 5.5
Base thickness	20	0.79
Base bolt size	M12	1/2
Min free height	60	2.36



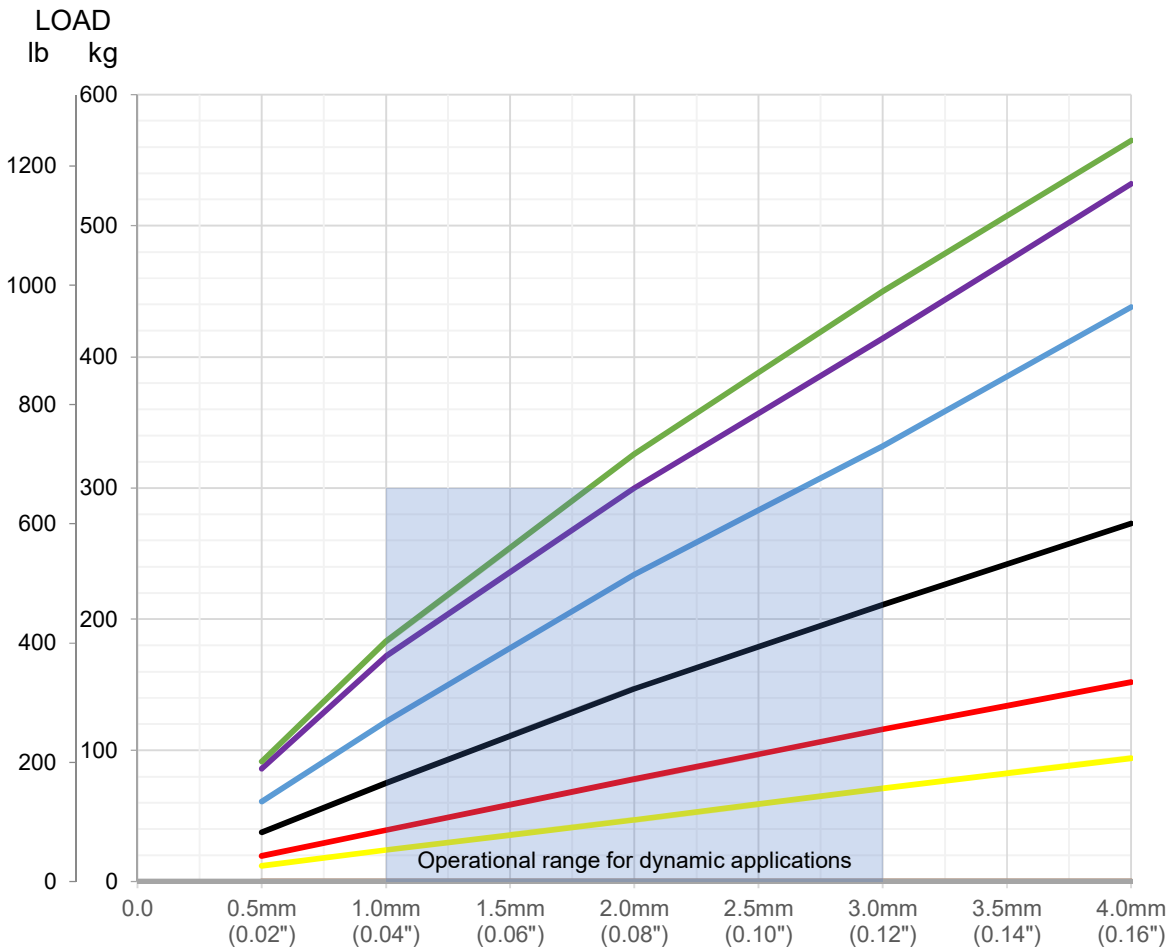
Mount model GPM15FS-16B or GPM15FS-20B

ISOFLEX MOUNT DATA SHEET - GPM15

Loading Type: Axial - Vertical Down (A-direction)



Resilient Core Colour	Axial Spring Rate at 2mm	
	(kg/cm)	(lb/in)
Yellow	235	1316
Red	385	2156
Black	680	3808
Light Blue	1050	5880
Dark Blue	1210	6776
Green	1335	7476



Graph: Static Axial Vertical Load [kg] (lb) versus Deflection [mm] (in)

Note: Stated spring rate average taken @ 2mm compression