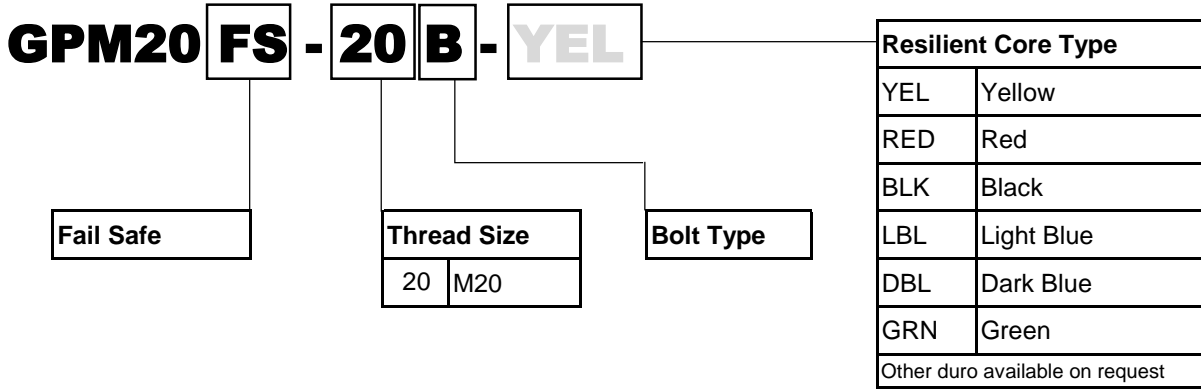
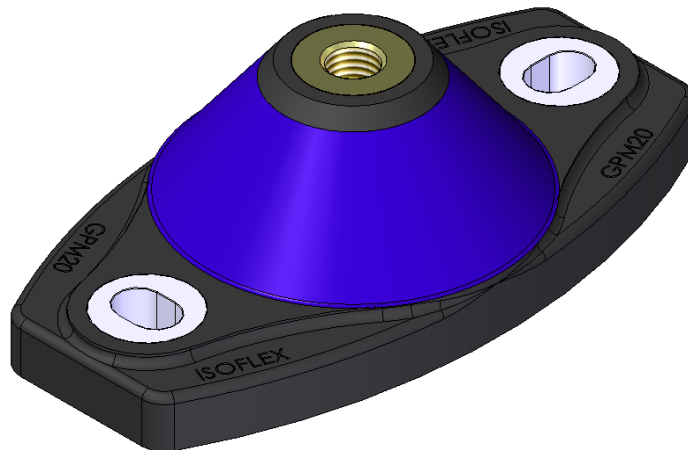


ISO FLEX MOUNT DATA SHEET - GPM20FS



Base: Black - 75 SDH-D

Metal components a combination of marine alloy, stainless steel and components zinc plated to ASTM B633 Type II SC3



Mount model GPM20FS-20B

WEIGHT:

Model	Metric (kg)	Imperial (lb)
GPM20FS-20B	2.0	4.4

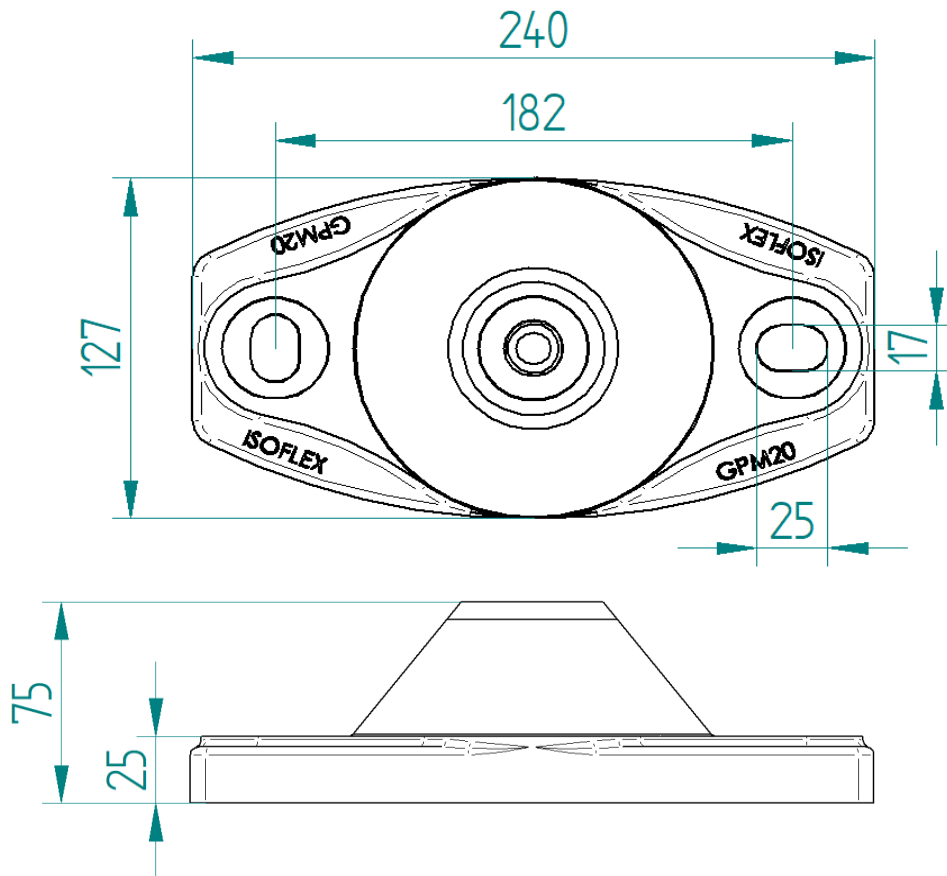
SPECIFICATION:

	Metric (kg)	Imperial (lb)
Recommended working load per mount	70-900	155-1980

ISO FLEX MOUNT DATA SHEET - GPM20FS

DIMENSIONS :

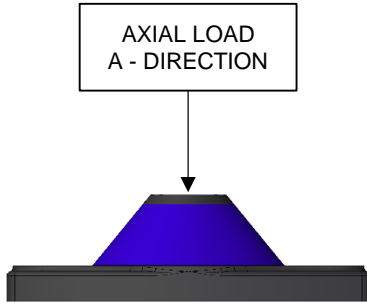
	Metric (mm)	Imperial (in)
Base length	240	9.45
Base width	127	5.00
Base bolt centres	182	7.17
Base thickness	25	0.98
Base bolt size	M16	5/8
Min free height	75	2.95



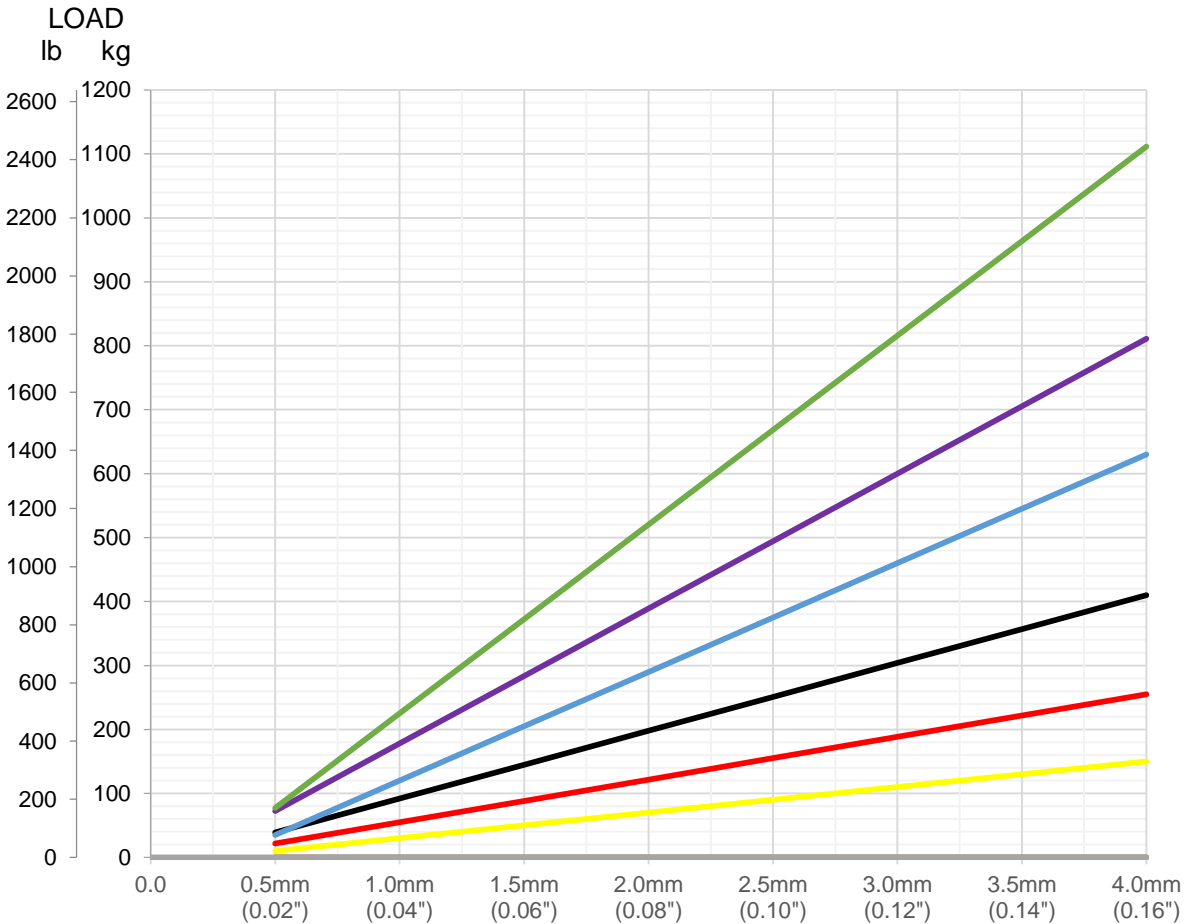
Mount model GPM20FS-20B

ISOFLEX MOUNT DATA SHEET - GPM20FS

Loading Type: Axial - Vertical Down (A-direction)



Resilient Core Colour	Spring Rate at 2mm		Load Range (kg)
	(kg/cm)	(lb/in)	
Yellow	400	2240	70 - 130
Red	665	3725	120 - 220
Black	1060	5935	190 - 370
Light Blue	1700	9520	270 - 550
Dark Blue	2110	11815	380 - 680
Green	2955	16550	540 - 900



Graph: Static Axial Vertical Load [kg] (lb) versus Deflection [mm] (in)