



**IsoFlex Mount Data Sheet**

**Loading:**

1. Axial - Vertical Down (A-direction)

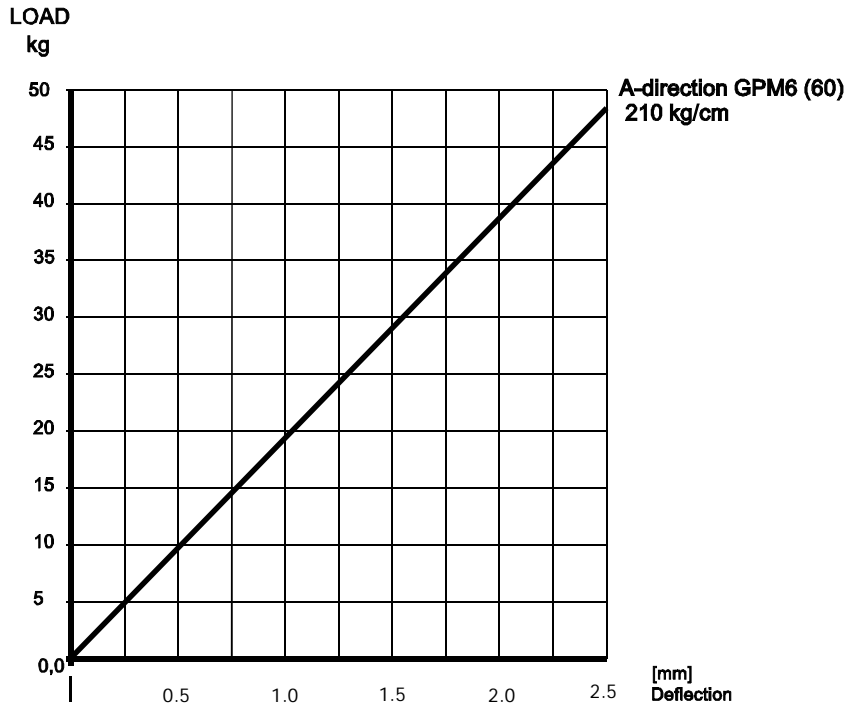
**Mount Model: GPM6-6  
GPM6-8**

'GPM6' = model number  
 Thread size: -6 = 6mm  
 -8 = 8mm

| Resilient Element Colour | Shore Durometer Hardness A-scale SDH-A |
|--------------------------|--|
| Yellow                   | 50                                     |
| Red                      | 60                                     |
| Black                    | 70                                     |
| Royal Blue               | 75                                     |

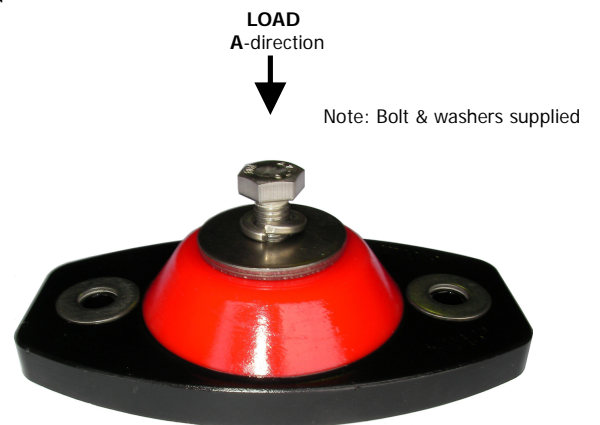
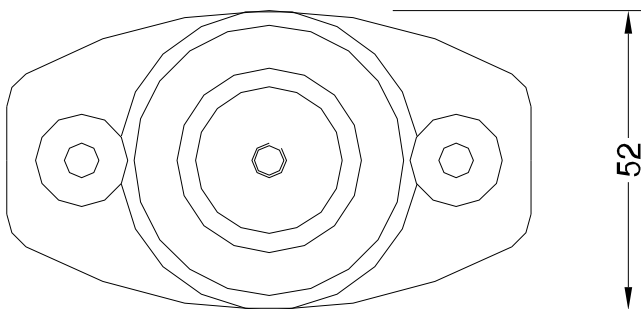
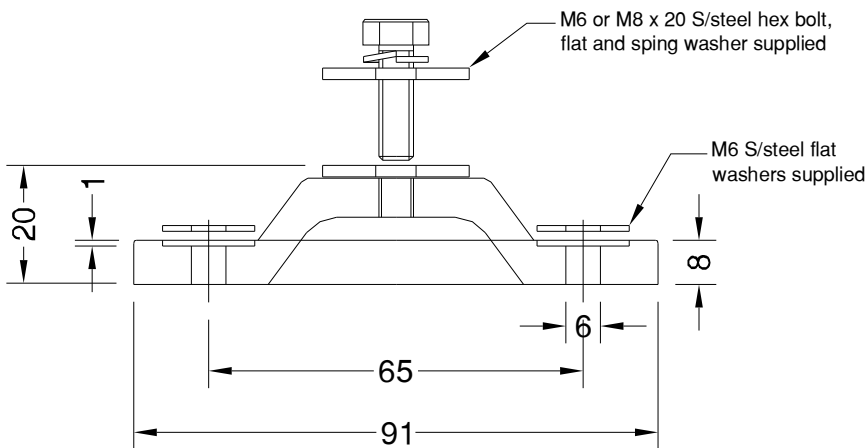
**Base:** Black - 95 SDH-A

Threaded inserts zinc plated.  
 Hardware supplied Gr304 Stainless Steel



**Graph:**

**1. Static Axial Vertical Load[kg] (A-direction) versus Deflection[mm]**



**Model Number: GPM6-6 (60)**

Drawing Number: DSA GPM6-6 Rev 2  
 Drawn: WF Date: 23 Nov 2011