



IsoFlex Technologies Pty Ltd.

Unit 33, 75 Waterway Drive, Gold Coast Marine Precinct, Coomera, Queensland, Australia. 4209
 Ph: 1300 366 393 Ph: 07 555 60 924 F: 07 555 60 984 Int prefix: 617
 Email: info@isoflex.com.au
 Home Page: www.isoflex.com.au

IsoFlex Mount Data Sheet

Loading:

1. Axial - Vertical Down (A-direction)

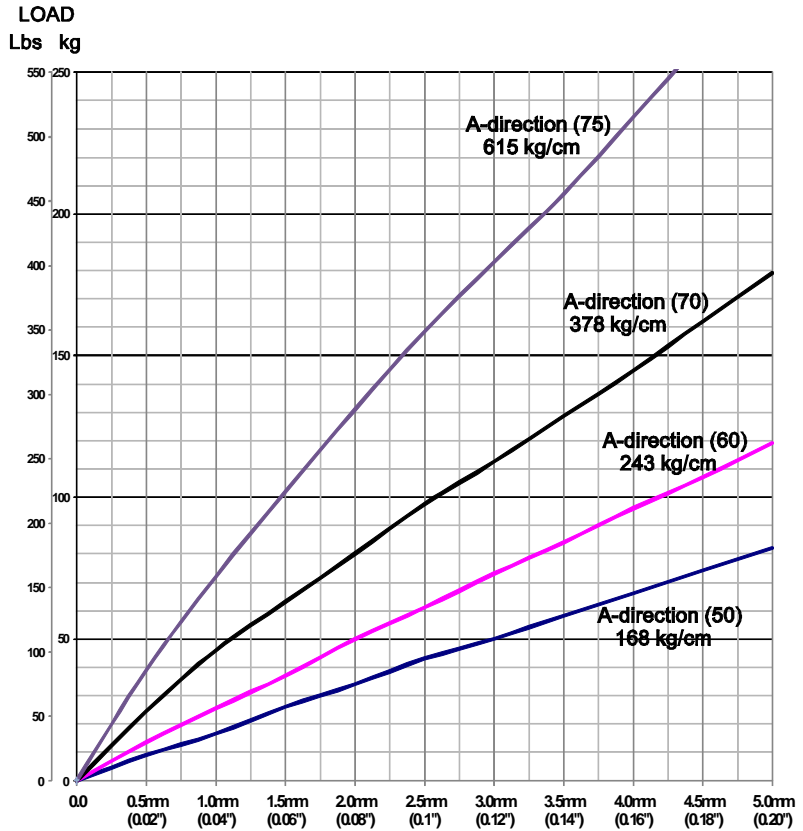
Mount Model: GPM7-12B
Mount Model: GPM7-10B

'GPM7' = model number
 '-12', '-10' = thread size
 'B' = bolt type

Resilient Element Colour	Shore Durometer Hardness A-scale SDH-A
Yellow	50
Red	60
Black	70
Royal Blue	75
Green	80

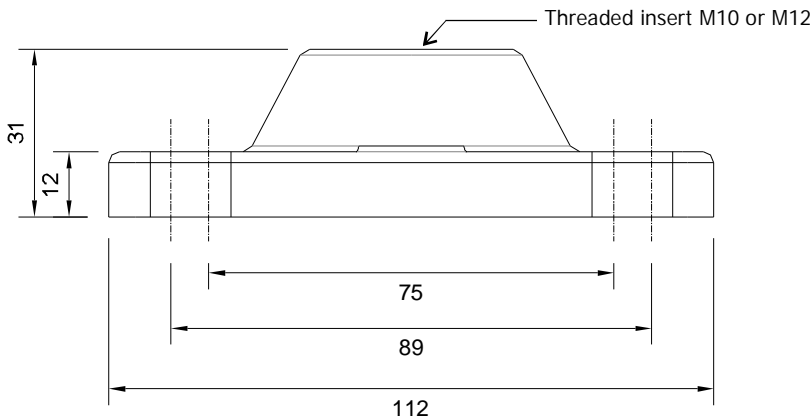
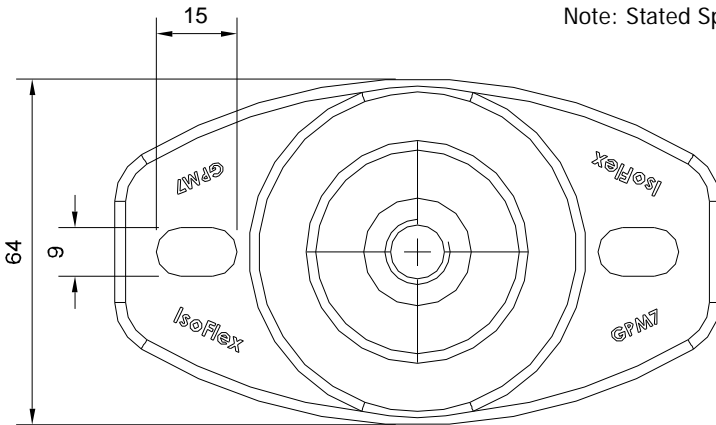
Base: Black - 75 SDH-D

All metal components zinc plated to ASTM B633 SC3

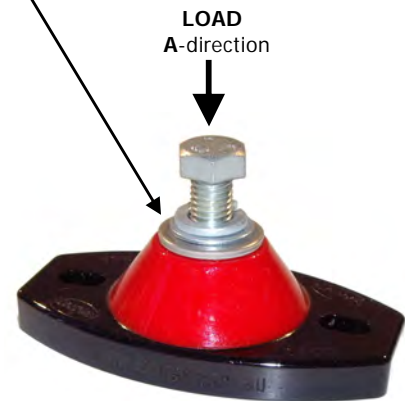


Graph:
 1. Static Axial Vertical Load[kg] (A-direction) versus Deflection[mm] (ins)

Note: Stated Spring Rate average @ 3mm



Important: Do not point load Steel Threaded Insert. Use large outside dia washer or base of equipment to ensure load is applied across top flat section mount.



Model Number Shown: GPM7-12B(60)
 Note: Bolt & washers not supplied

Drawing Number: DSA-GPM7 Rev 3
 Drawn: WF Date: 3 February 2012