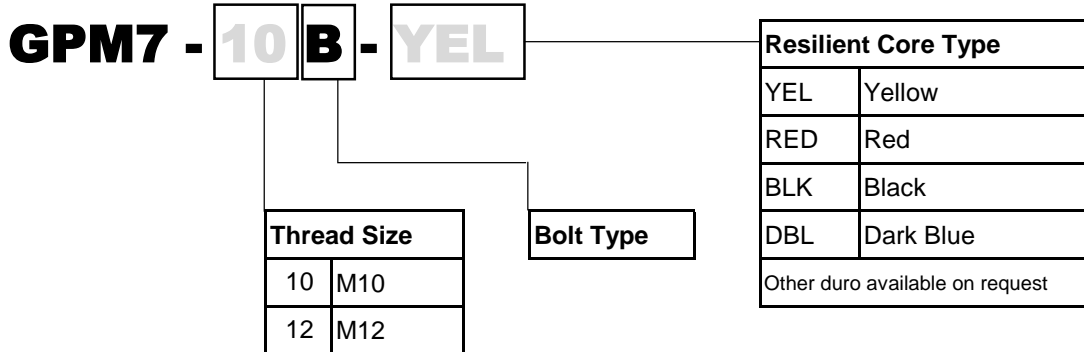


ISOFLEX MOUNT DATA SHEET - GPM7



Base / Threaded Insert: Black - 75 SDH-D
 No metal components
 Polymer threaded Insert



Mount model GPM7-10B or GPM7-12B

WEIGHT:

Model	Metric	Imperial
	(kg)	(lb)
GPM7-10B	0.2	0.4
GPM7-12B	0.2	0.4

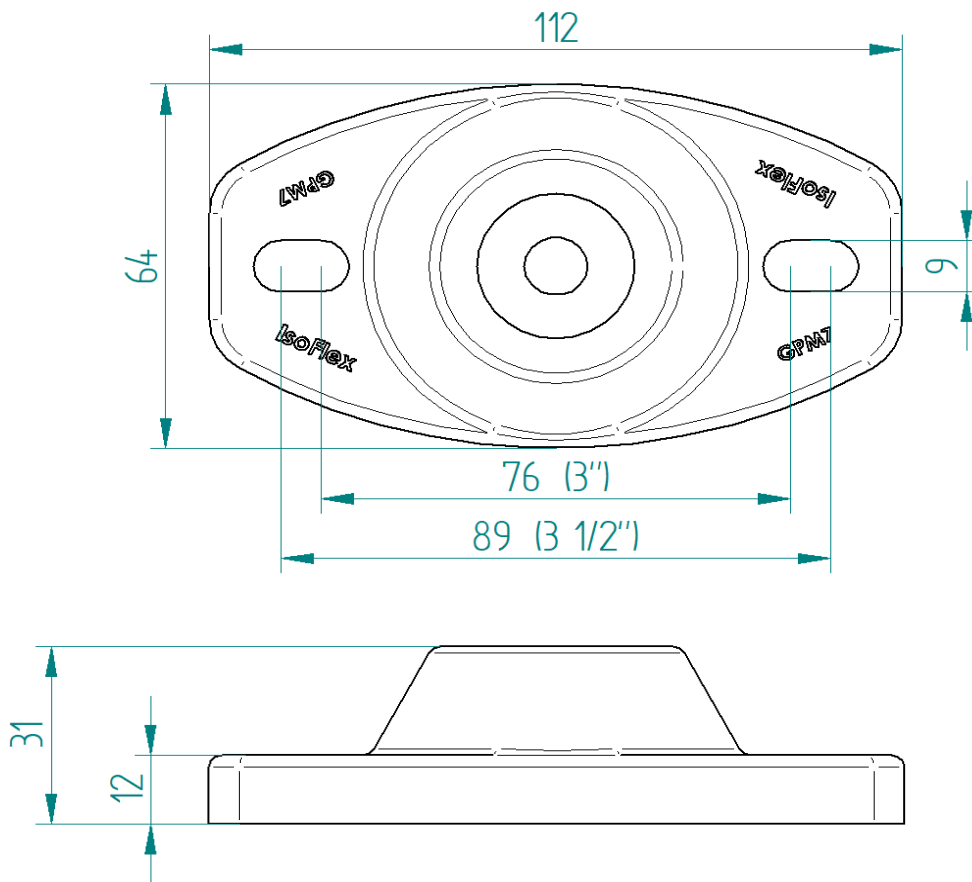
SPECIFICATION:

	Metric	Imperial
	(kg)	(lb)
Recommended working load	20-120	44-264
	per mount	

ISOFLEX MOUNT DATA SHEET - GPM7

DIMENSIONS :

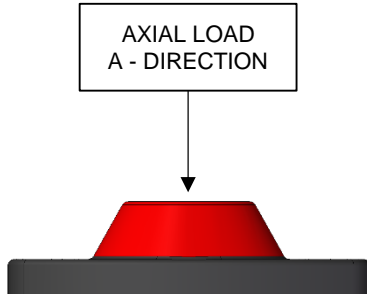
	Metric (mm)	Imperial (in)
Base length	112	4.41
Base width	64	2.52
Base bolt centres	76 - 89	3 - 3 1/2
Base thickness	12	0.47
Base bolt size	M8	5/16
Min free height	31	1.22



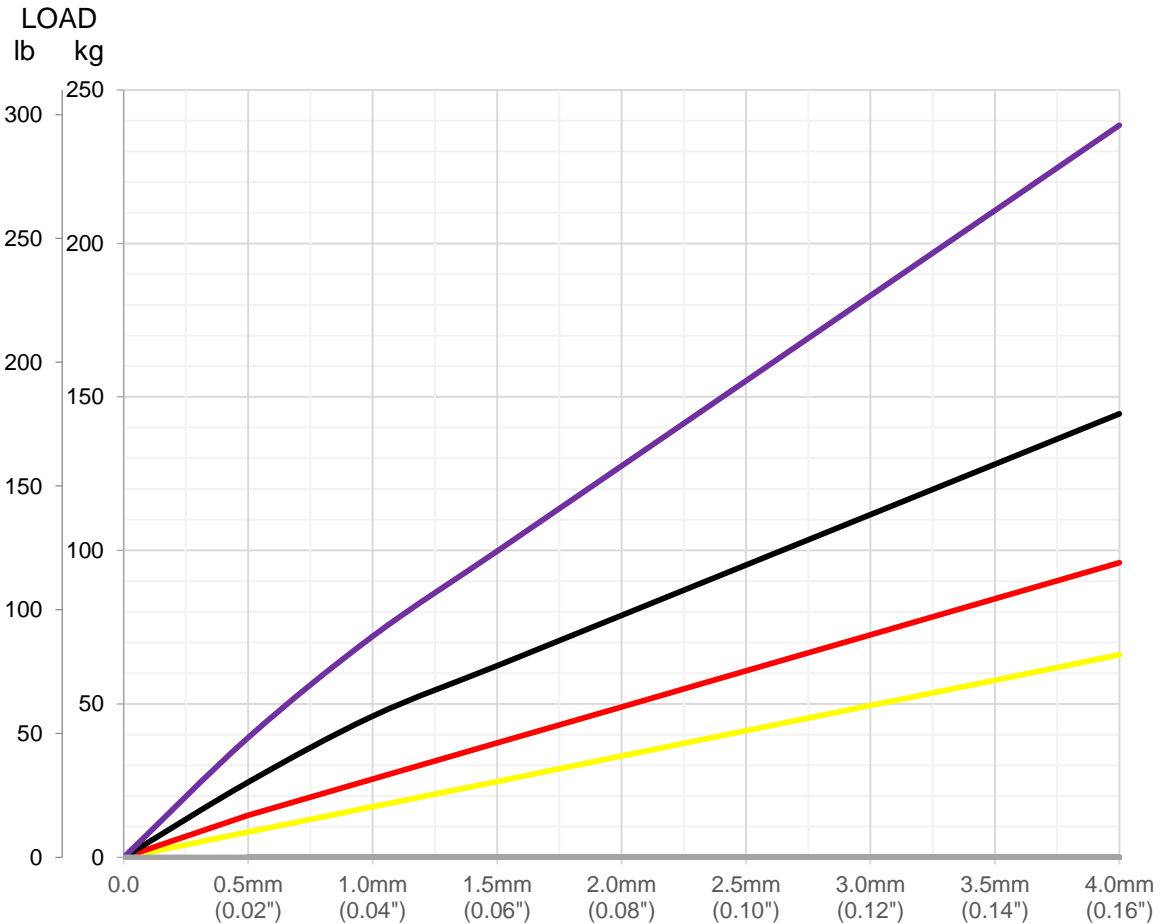
Mount model GPM7-10B or GPM7-12B

ISOFLEX MOUNT DATA SHEET - GPM7

Loading Type: Axial - Vertical Down (A-direction)



Resilient Core Colour	Spring Rate at 2mm	
	(kg/cm)	(lb/in)
Yellow	165	925
Red	235	1315
Black	330	1850
Dark Blue	555	3110



Graph: Static Axial Vertical Load [kg] (lb) versus Deflection [mm] (in)