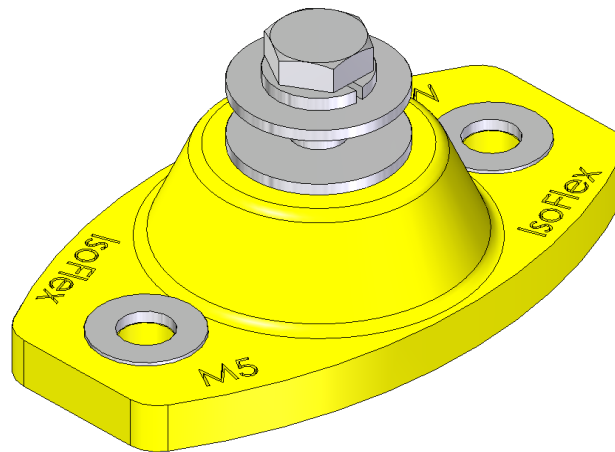
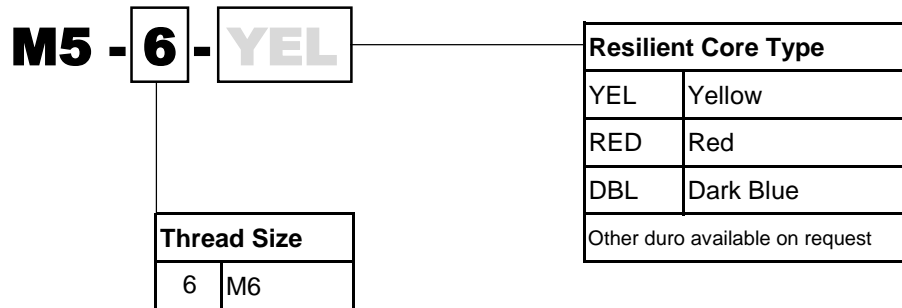


## ISOFLEX MOUNT DATA SHEET - M5



Mount model M5-6

### WEIGHT:

Model	Metric	Imperial
	(kg)	(lb)
M5-6	0.05	0.11

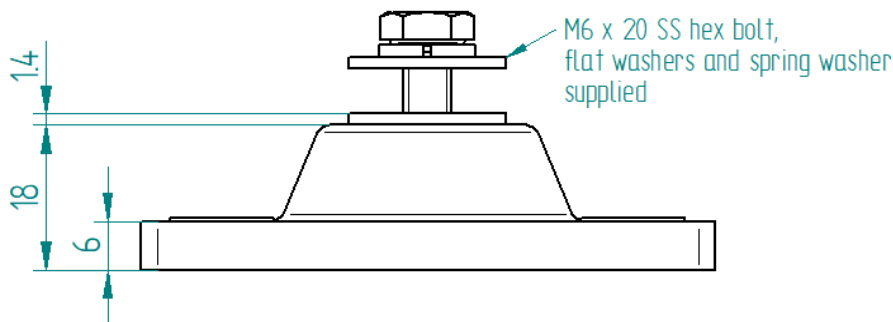
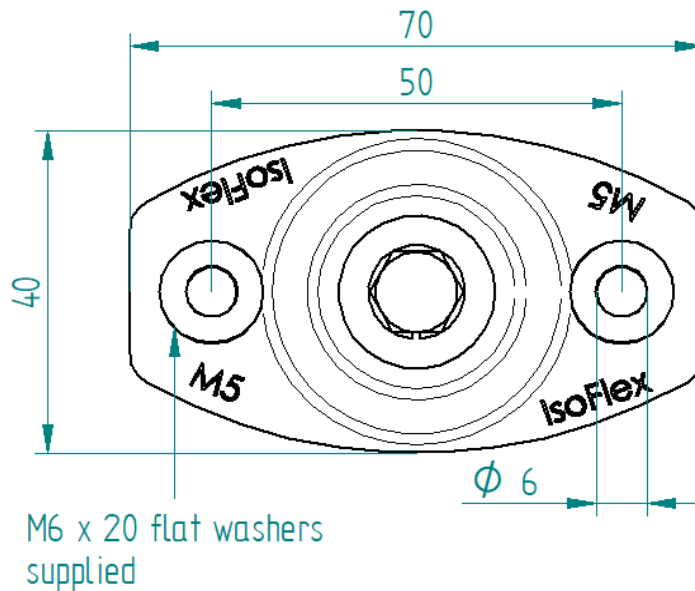
### SPECIFICATION:

Recommended working load per mount	Metric	Imperial
	(kg)	(lb)
M5-6-YEL	1-10	2-22
M5-6-RED	6-15	13-33
M5-6-DBL	10-30	22-66

## ISO FLEX MOUNT DATA SHEET - M5

### DIMENSIONS :

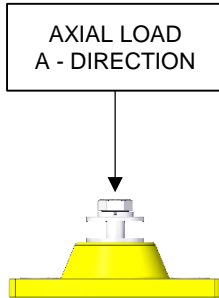
	Metric (mm)	Imperial (in)
Base length	70	2.76
Base width	40	1.57
Base bolt centres	50	1.97
Base thickness	6	0.24
Base bolt size	M6	1/4
Min free height	18	0.71



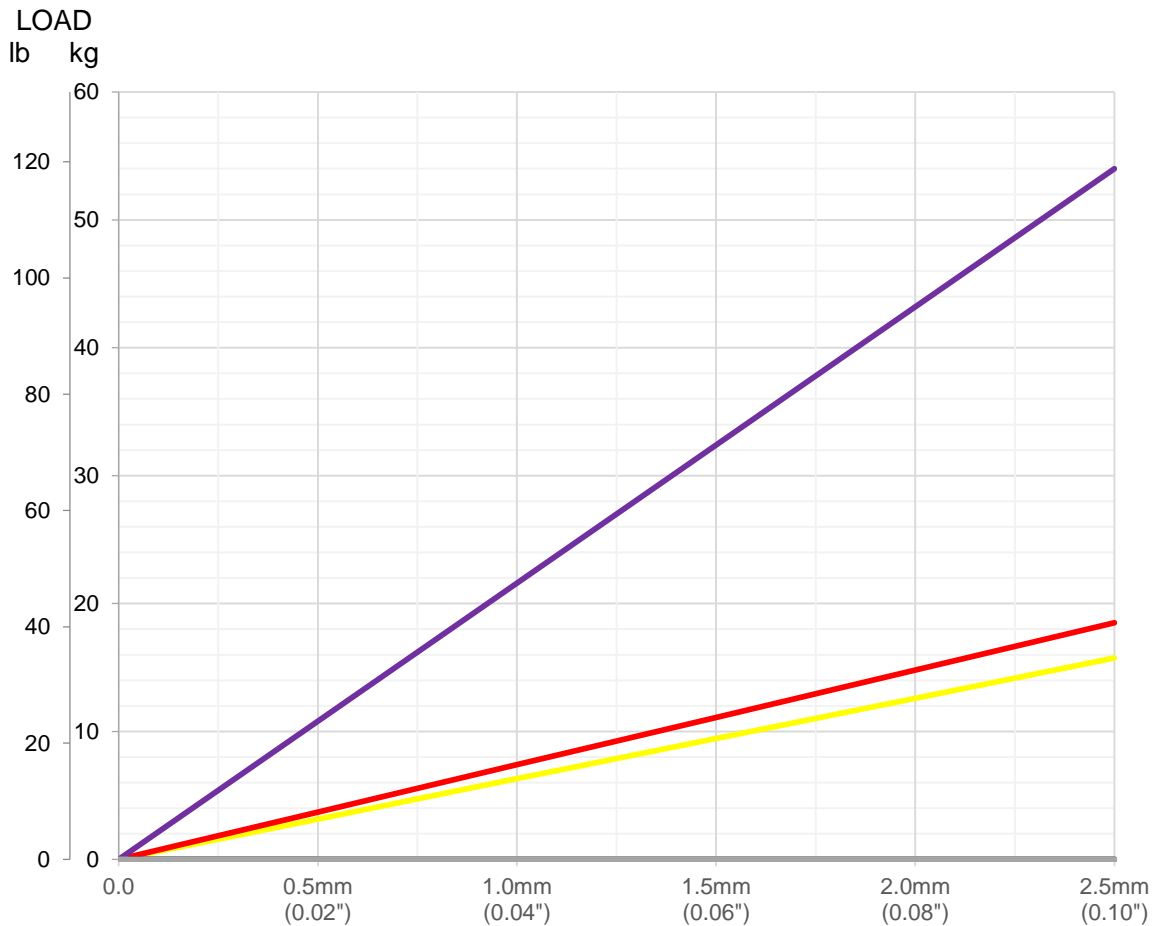
Mount model M5-6

## ISOFLEX MOUNT DATA SHEET - M5

### Loading Type: Axial - Vertical Down (A-direction)



Resilient Core Colour	Spring Rate at 2mm	
	(kg/cm)	(lb/in)
Yellow	65	365
Red	75	420
Dark Blue	215	1205



Graph: Static Axial Vertical Load [kg] (lb) versus Deflection [mm] (in)