



IsoFlex Mount Data Sheet

Loading:

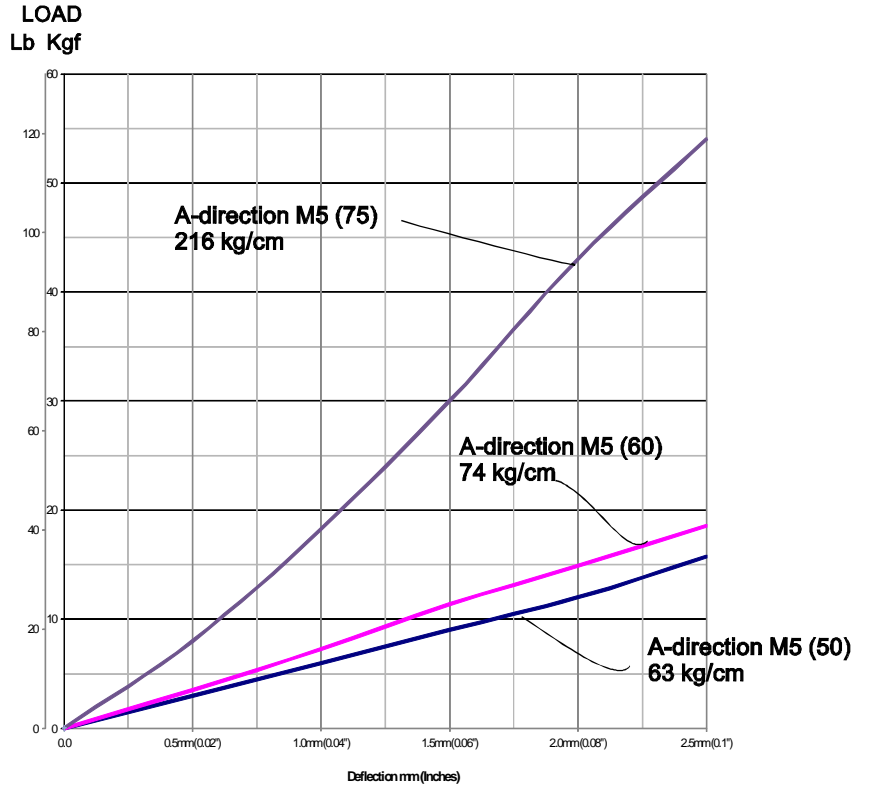
1. Axial - Vertical Down (A-direction)

Mount Model: M5-6

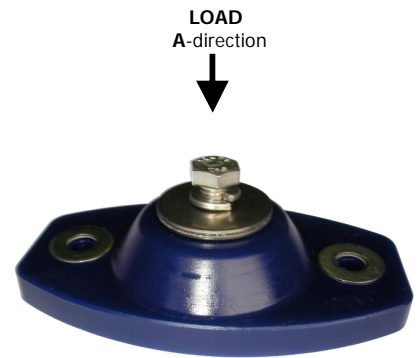
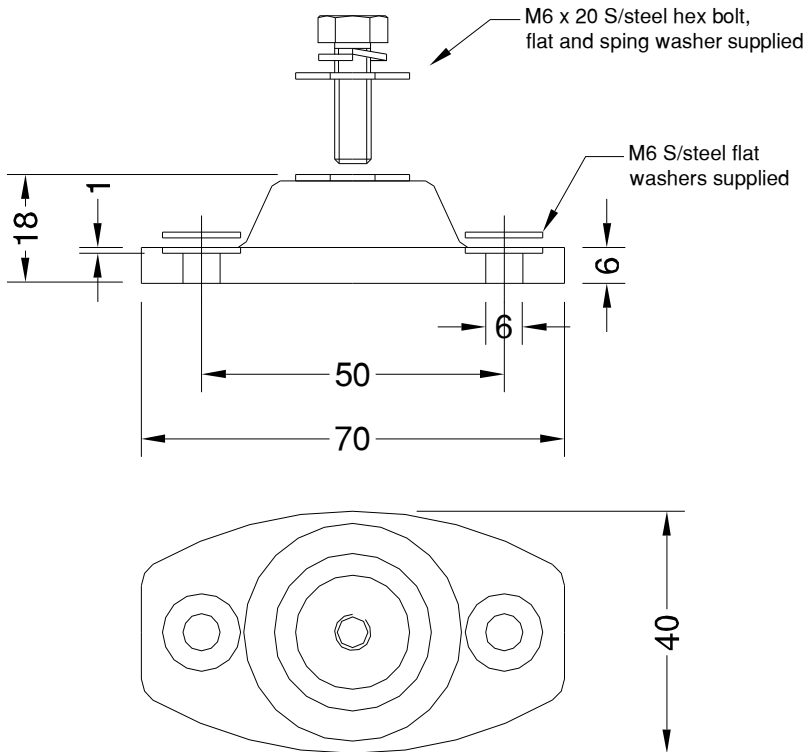
'M5' = model number
 Thread size: -6 = 6mm

| Resilient Element Colour | Shore Durometer Hardness A-scale SDH-A |
|--------------------------|--|
| Yellow | 50 |
| Red | 60 |
| Black | 70 |
| Royal Blue | 75 |

Threaded inserts zinc plated.
 Hardware supplied Gr304 Stainless Steel



Graph: 1. Static Axial Vertical Load[kg] (A-direction) versus Deflection[mm]



Model Number shown: M5-6 (75)
 Note: Bolt & washers supplied

Dimensions in millimetres (mm.) - unless stated otherwise