



# IsoFlex Technologies Pty Ltd.

Unit 11, 75 Waterway Drive, Gold Coast Marine Precinct, Coomera, Queensland, Australia. 4209  
 Ph: 1300 366 393 Ph: 07 555 60 924 F: 07 555 60 984 Int prefix: 617  
 Email: info@isoflex.com.au  
 Home Page: www.isoflex.com.au

## IsoFlex Mount Data Sheet

### Loading:

1. Axial - Vertical Down (A-direction)

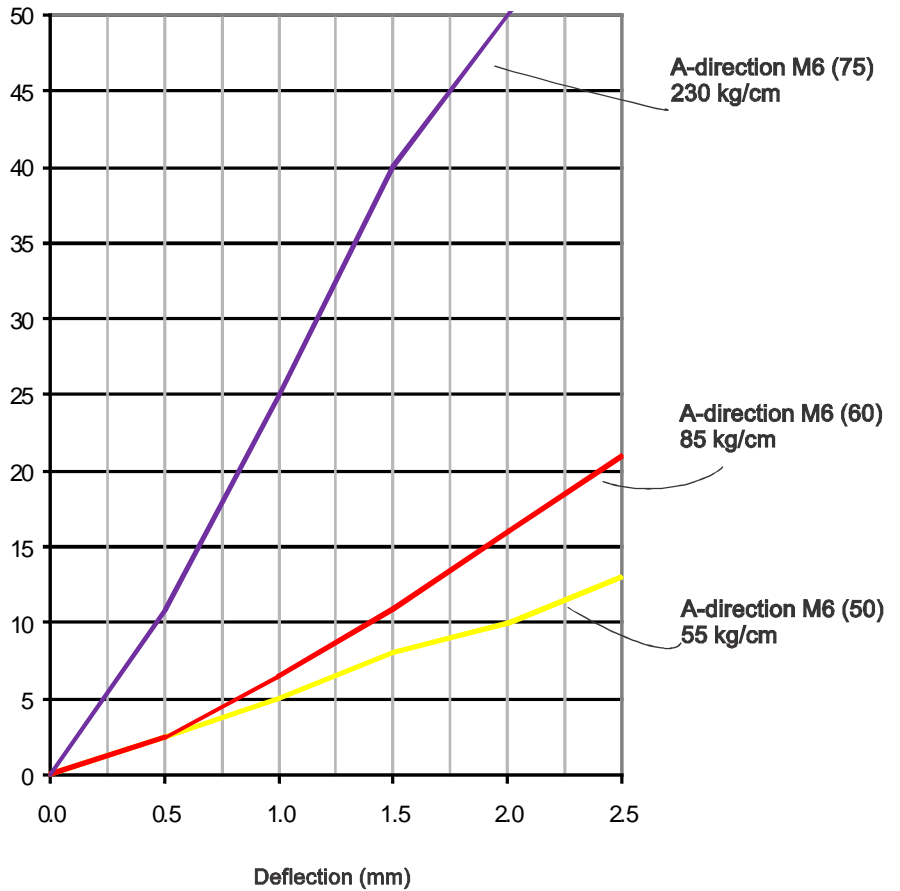
**Mount Model: M6-6**  
**M6-8**  
**M6-10**

'M6' = model number  
 Thread size: -6 = 6mm  
 -8 = 8mm  
 -10 = 10mm

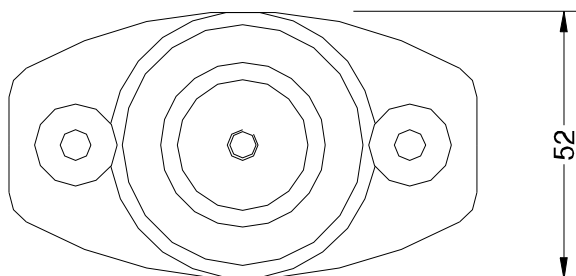
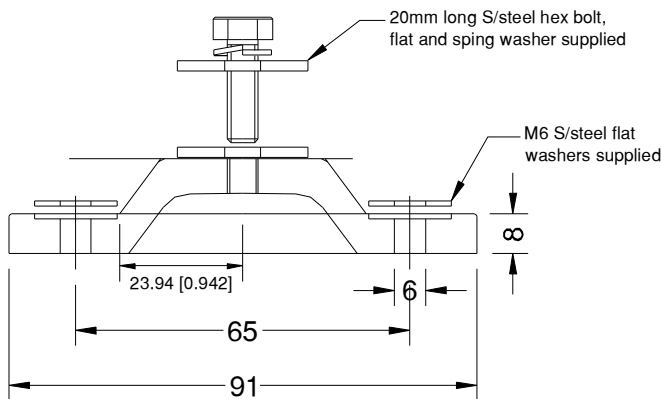
Resilient Element Colour	Shore Durometer Hardness A-scale SDH-A
Yellow	50
Red	60
Black	70
Royal Blue	75

Threaded inserts zinc plated.  
 Hardware supplied Gr304 Stainless Steel

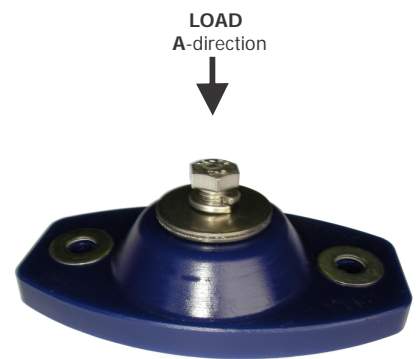
LOAD  
Kgf



Graph: 1. Static Axial Vertical Load[kg] (A-direction) versus Deflection[mm]



Dimensions in millimetres (mm.) - unless stated otherwise



Model Number shown: M6-6 (75)

Note: Bolt & washers supplied

Drawing Number: DSA M6 Rev 3  
 Drawn: WF Date: 14 August 2018