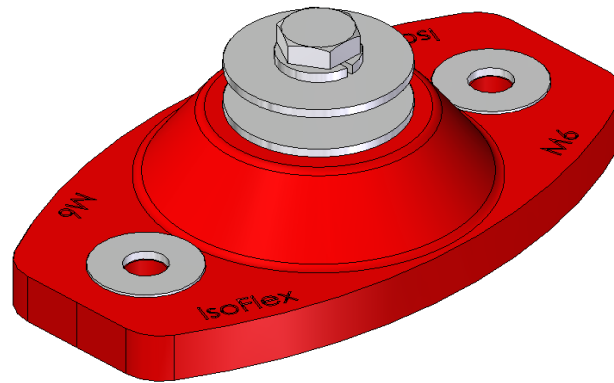
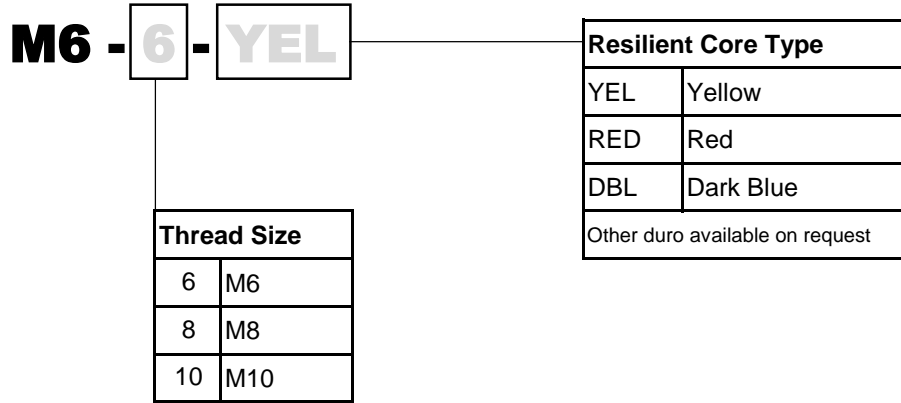


ISO FLEX MOUNT DATA SHEET - M6



Mount model M6

WEIGHT:

Model	Metric (kg)	Imperial (lb)
M6	0.05	0.11

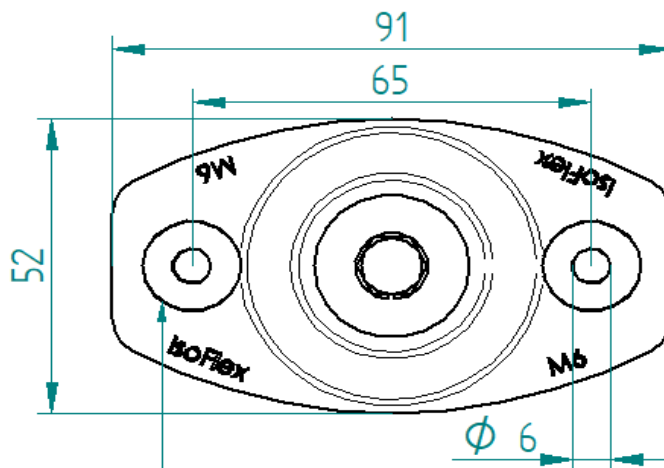
SPECIFICATION:

Recommended working load per mount	Metric (kg)	Imperial (lb)
M6-YEL	1-10	2-22
M6-RED	6-20	13-44
M6-DBL	10-30	22-66

ISOFLEX MOUNT DATA SHEET - M6

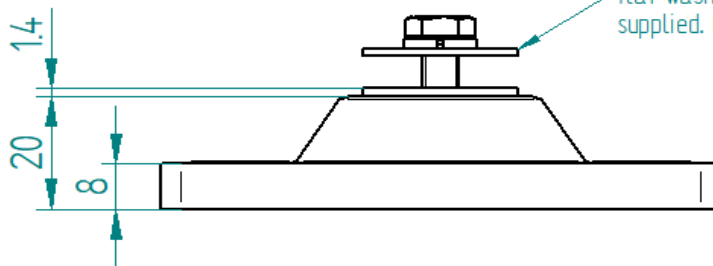
DIMENSIONS :

	Metric (mm)	Imperial (in)
Base length	91	3.58
Base width	52	2.05
Base bolt centres	65	2.56
Base thickness	8	0.31
Base bolt size	M6	1/4
Min free height	20	0.79



M6 x 20 flat washers
 supplied

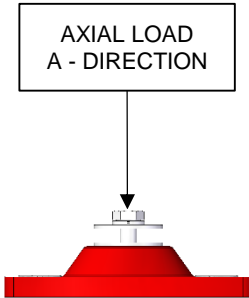
20mm Long SS hex bolt,
 flat washers and spring washer
 supplied. M6, M8 and M10 available



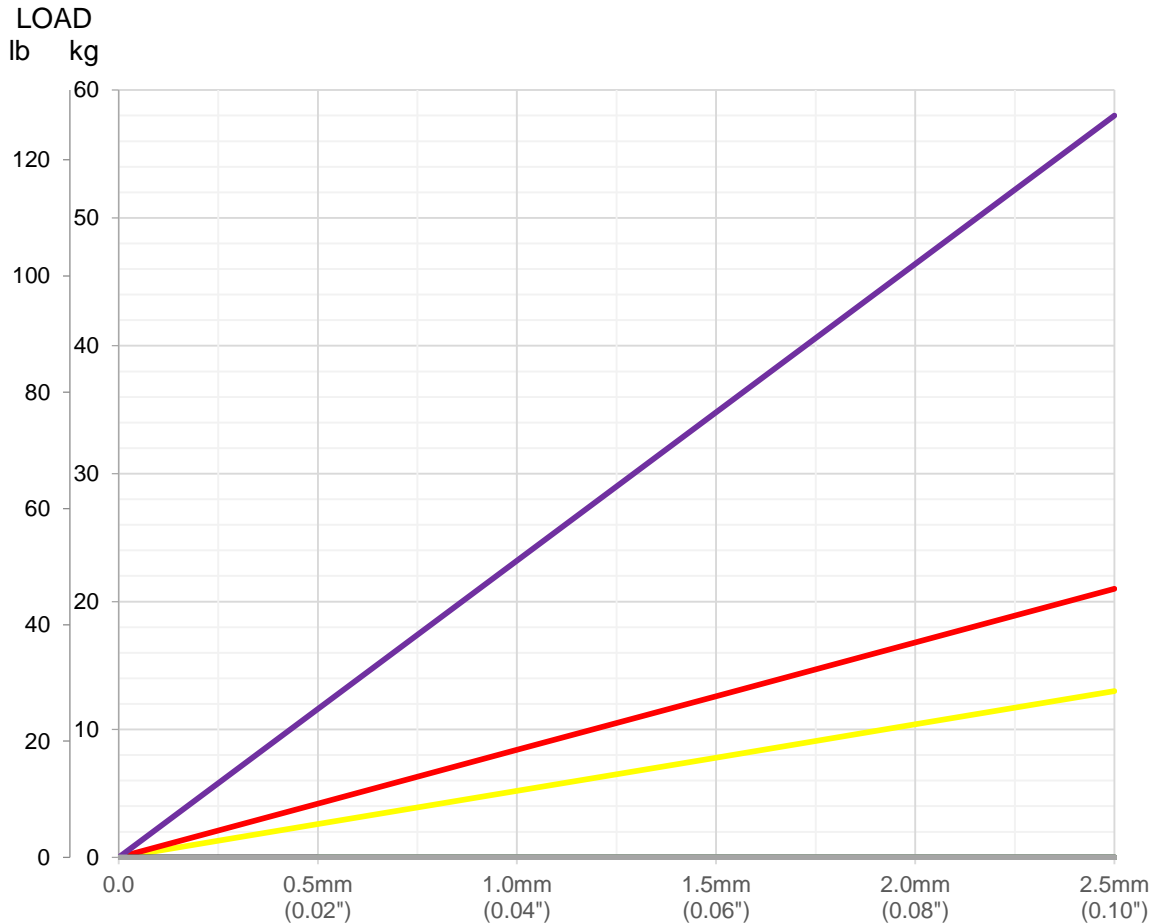
Mount model M6

ISOFLEX MOUNT DATA SHEET - M6

Loading Type: Axial - Vertical Down (A-direction)



Resilient Core Colour	Spring Rate at 2mm	
	(kg/cm)	(lb/in)
Yellow	50	280
Red	85	475
Dark Blue	230	1290



Graph: Static Axial Vertical Load [kg] (lb) versus Deflection [mm] (in)