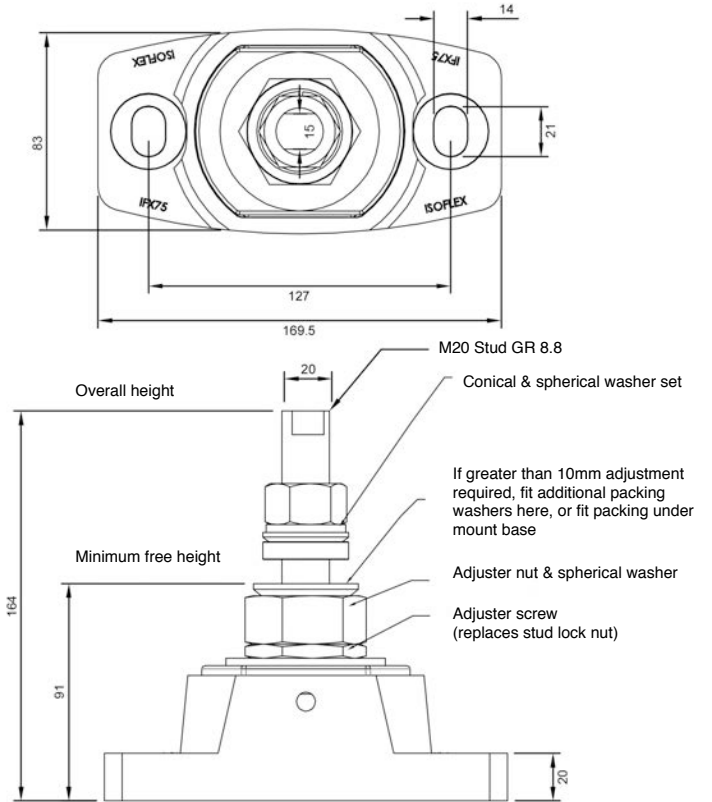


ISOFLEX MOUNT DATA SHEET

IFX75-20 S



Mount Model IFX75-20 S



IDENTIFICATION:

IFX75	Model Number
20	Thread size
S	Adjusting stud type

Resilient Element Color Shore Durometer Hardness

	<i>A-scale (SDH-A)</i>
Yellow	50
Red	60
Orange	65
Black	70
Light Blue	72
Dark Blue	75

DIMENSIONS:

	Metric (mm)	Imperial (in. approx)
Overall height	164	6.46
Free height	91	3.58
Base length	169.5	6.67
Base width	83	3.27
Base height	20	0.79
Base bolt centers	127	5.00
Stud diameter (bolt size)	20	0.79

Base: Black – 75 SDH-D
 All metal components zinc plated to ASTM B633 Type II SC3

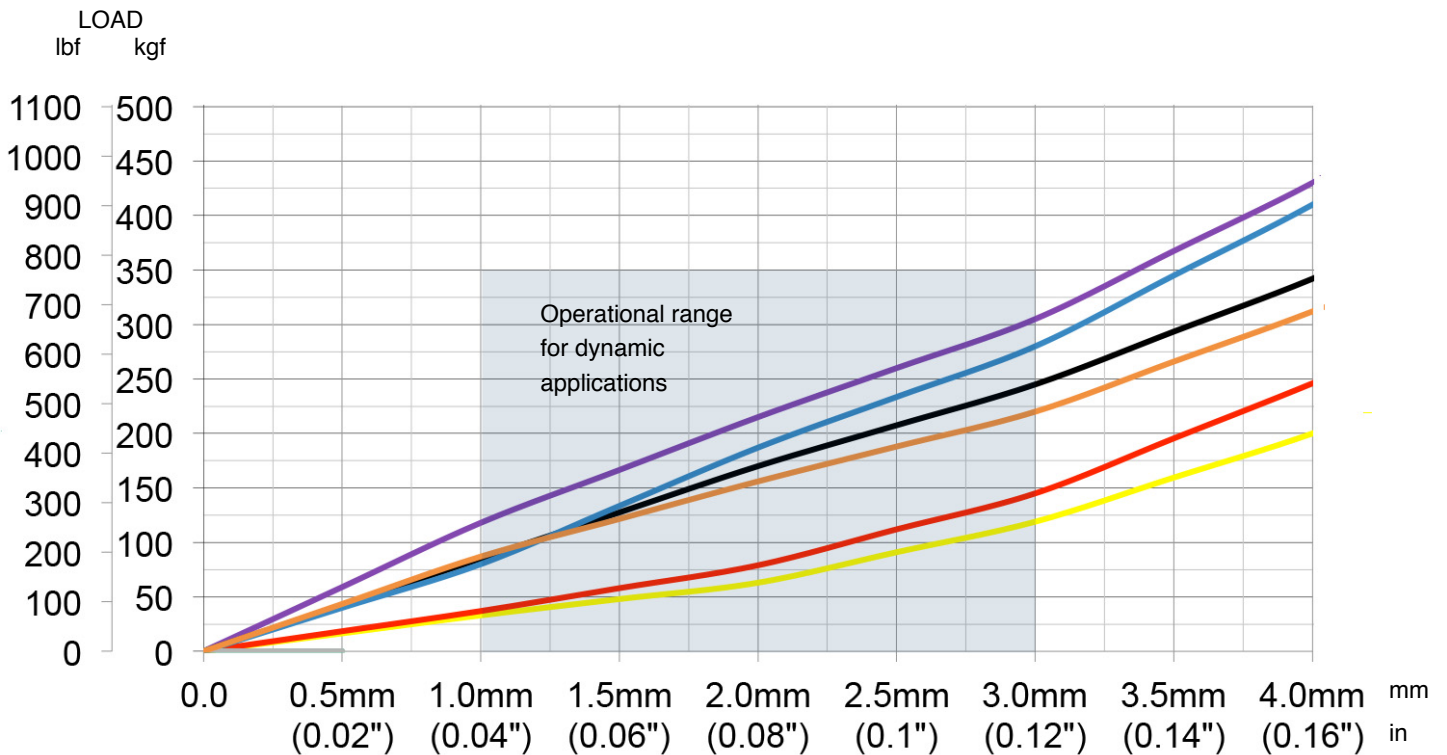
ISOFLEX MOUNT DATA SHEET

IFX75-20 S

Loading Type: Axial – Vertical Down (A-direction)



Resilient Element Color	Shore Durometer Hardness <i>A-scale (SDH-A)</i>	Axial Spring Rate @ 3mm	
		kg/cm	lb/in
Yellow	50	443	2479
Red	60	541	3029
Orange	65	775	4340
Black	70	850	4757
Light Blue	72	988	5531
Dark Blue	75	1070	5991



Graph: Static Axial Vertical Load [kg] (A-direction) versus Deflection [mm] (in)

Data shown: (x) = SDH-A Hardness kgf/cm (lbf/in) = Spring rate for working load range

Note: Stated spring rate average @ 3mm

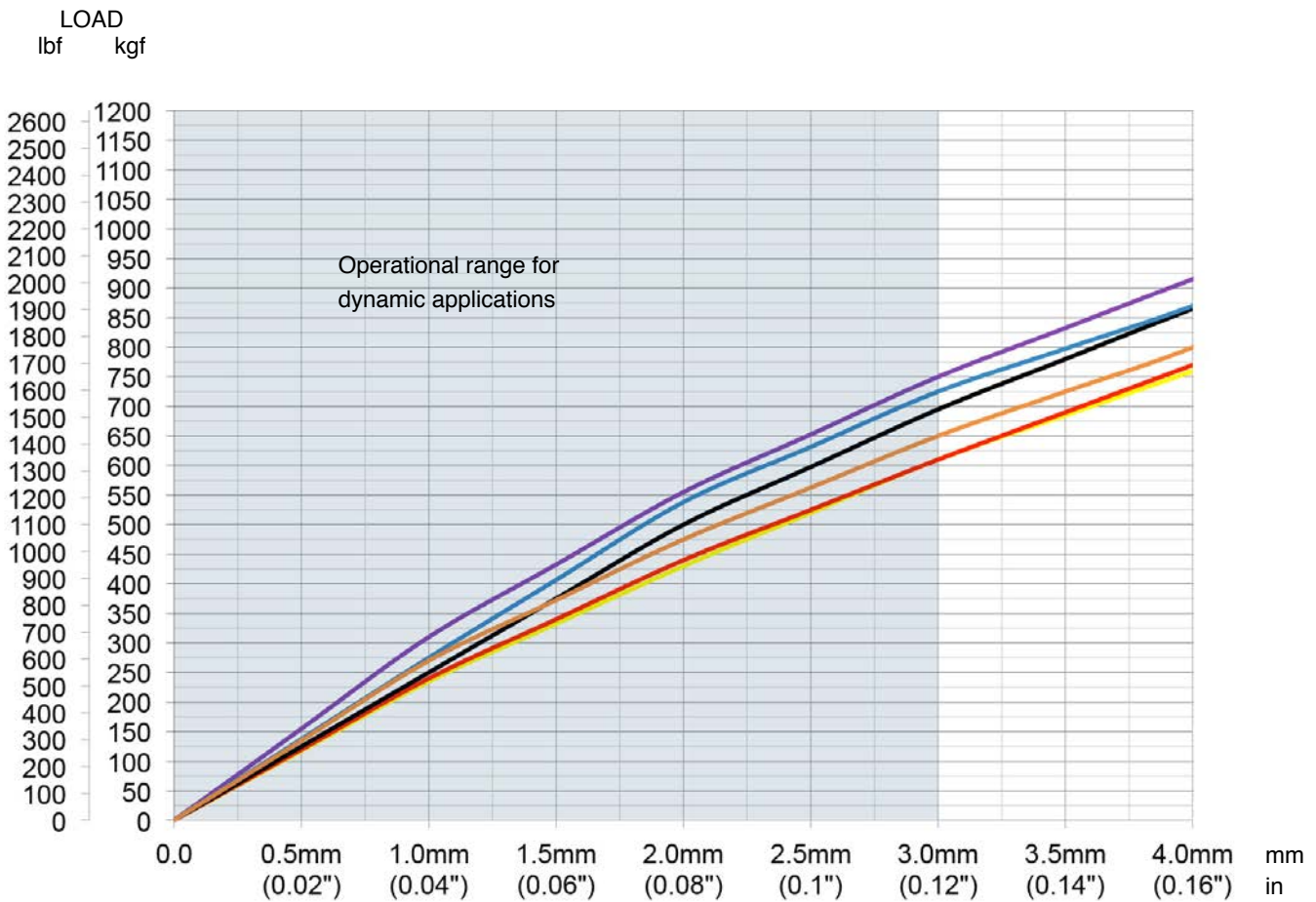
ISOFLEX MOUNT DATA SHEET

IFX75-20 S

Loading Type: Longitudinal Thrust (T-direction)



Resilient Element Color	Shore Durometer Hardness <i>A-scale (SDH-A)</i>	Thrust Spring Rate @ 2mm	
		kg/cm	lb/in
Yellow	50	2150	12040
Red	60	2200	12320
Orange	65	2375	13300
Black	70	2500	14000
Light Blue	72	2690	15064
Dark Blue	75	2775	15540



Graph: Static Longitudinal Thrust Load [kg] (T-direction) versus Deflection [mm] (in)

Note: Stated spring rate average @ 2mm with 3mm Axial load applied

ISOFLEX MOUNT DATA SHEET

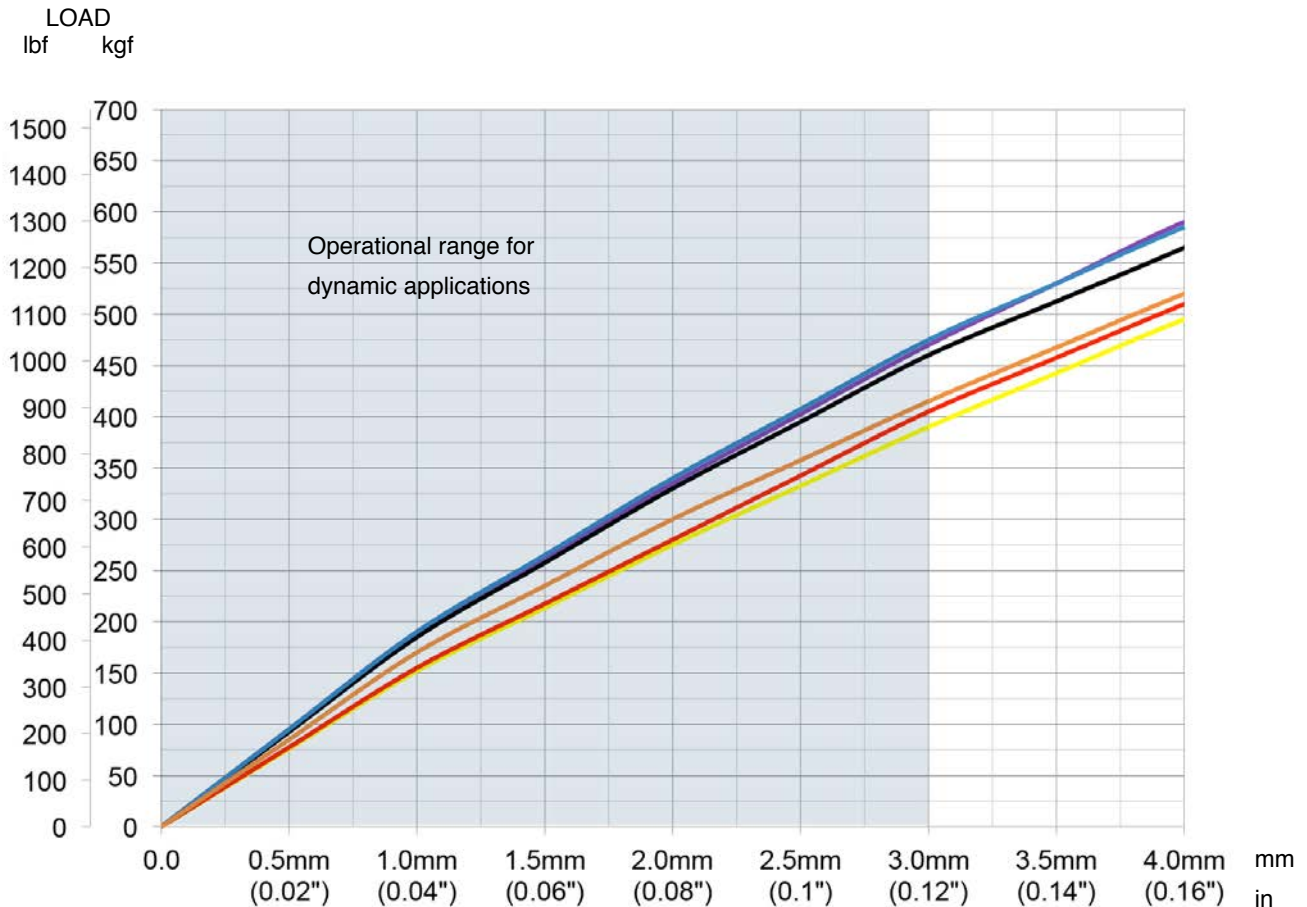
IFX75-20 S

Loading Type: Lateral Thrust (L-direction)



↑
LATERAL LOAD
L - DIRECTION

Resilient Element Color	Shore Durometer Hardness <i>A-scale (SDH-A)</i>	Lateral Spring Rate @ 2mm	
		kg/cm	lb/in
Yellow	50	1375	7700
Red	60	1400	7840
Orange	65	1500	8400
Black	70	1650	9240
Light Blue	72	1700	9520
Dark Blue	75	1675	9380



Graph: Static Lateral Load [kg] (L-direction) versus Deflection [mm] (in)

Note: Stated spring rate average @ 2mm with 3mm Axial load applied

Specifications are subject to change without notice.



Document number: Isoflex-DS-IFX75-20S
 Drawn: WF Date: 9 May 2019
 Copyright © 2019 Isoflex Technologies Pty Ltd