



IsoFlex Technologies Pty Ltd.

Unit 11, 75 Waterway Drive, Gold Coast Marine Precinct, Coomera, Queensland, Australia. 4209
 Ph: 1300 366 393 Ph: 07 555 60 924 F: 07 555 60 984 Int prefix: 617
 Email: info@isoflex.com.au
 Home Page: www.isoflex.com.au

IsoFlex Mount Data Sheet

Loading Type:

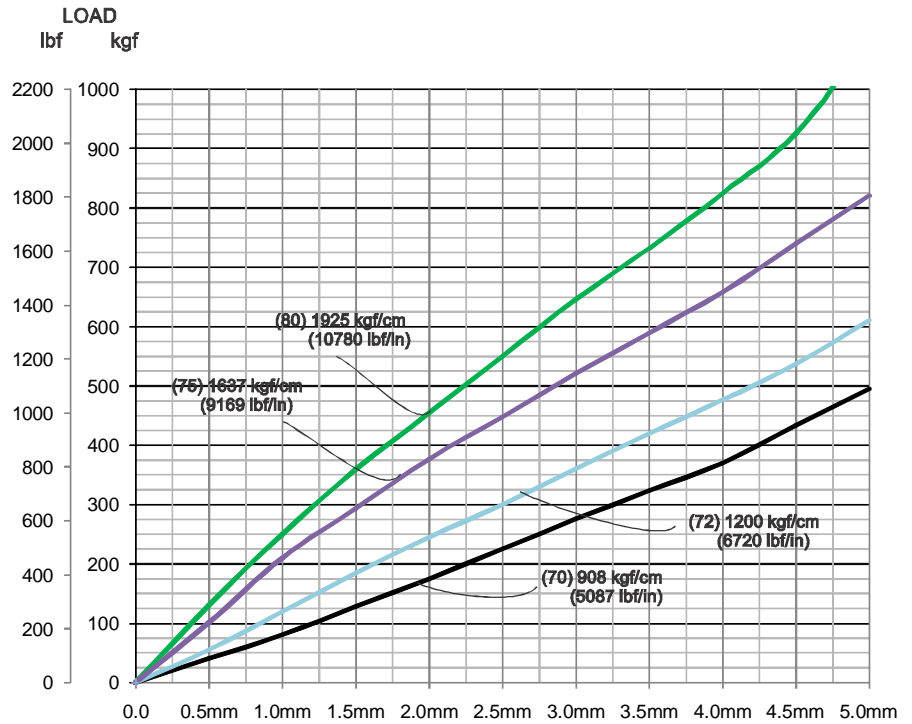
Axial - Vertical Down (A-direction)

Mount Model: M130HD-20 S

'M130' = model number
 'HD' = Heavy Duty
 '20' = thread size
 'S' = Stud type

Resilient Element Colour	Shore Durometer Hardness A-scale SDH-A
Red	60
Black	70
Light Blue	72
Royal Blue	75
Green	80
Grey	90

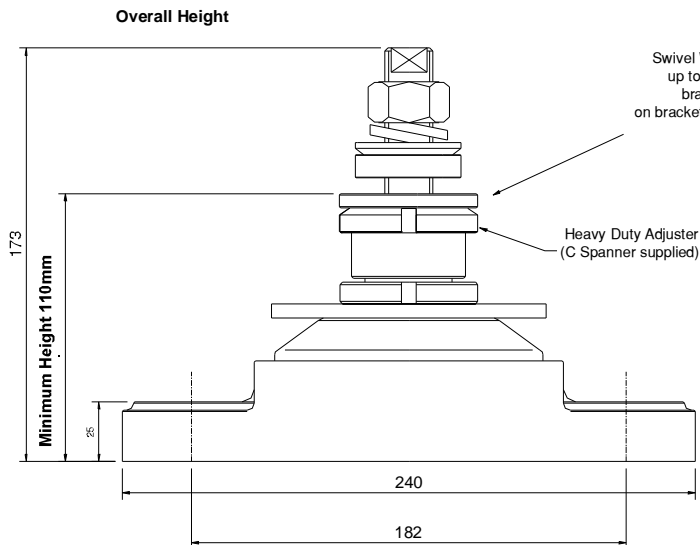
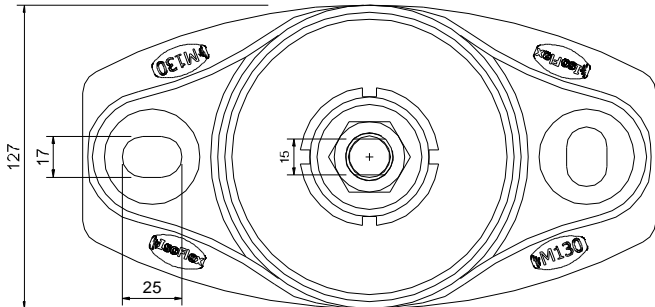
Base: Black - 75 SDH-D



Graph 1: Static Axial Vertical Load[kg] (A-direction) versus Deflection[mm] (ins)
 Data shown: (x) = SDH-A Hardness
 kg/cm = Spring Rate

Note: Stated Spring Rate average @ 3mm

All steel components zinc plated to ASTM B633 SC3



Dimensions in millimetres (mm.) - unless stated otherwise
 E&OE



Drawing Number: DSA-M130HD-20S Rev3
 Drawn: WF Date: 02 July 2018

Copyright © 2018 IsoFlex Technologies Pty Ltd.

Specifications are subject to change without notice.



IsoFlex Technologies Pty Ltd.

Unit 11, 75 Waterway Drive, Gold Coast Marine Precinct, Coomera, Queensland, Australia. 4209
 Ph: 1300 366 393 Ph: 07 555 60 924 F: 07 555 60 984 Int prefix: 617
 Email: info@isoflex.com.au
 Home Page: www.isoflex.com.au

IsoFlex Mount Data Sheet

Loading Type:

Longitudinal Thrust (T-direction)

Mount Model: M130HD-20S

- 'M130' = model number
- 'HD' = Heavy Duty
- '20' = thread size
- 'S' = adjusting stud type

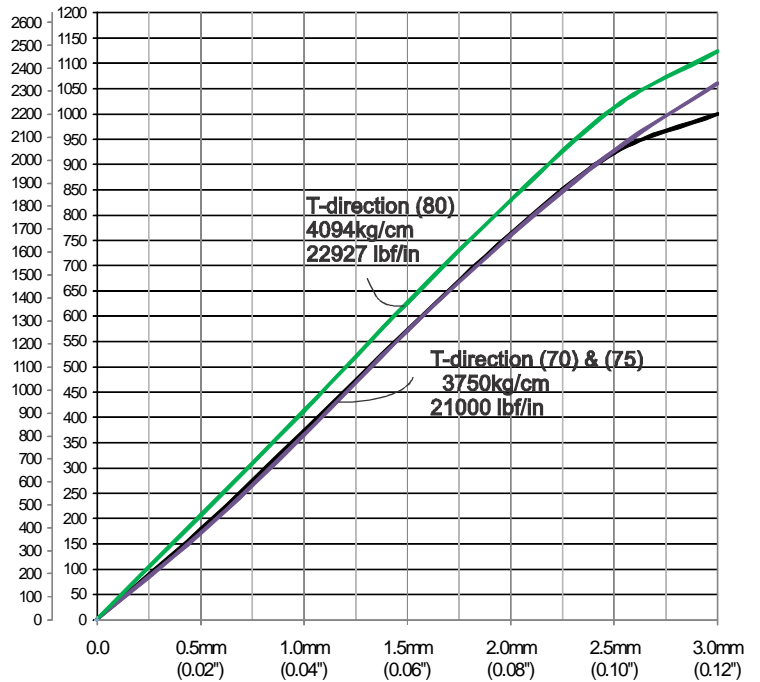
Resilient Element Colour	Shore Durometer Hardness A-scale SDH-A
Red	60
Black	70
Light Blue	72
Royal Blue	75
Green	80
Grey	90

Base: Black - 75 SDH-D

All steel components zinc plated to ASTM B633 SC3

LOAD

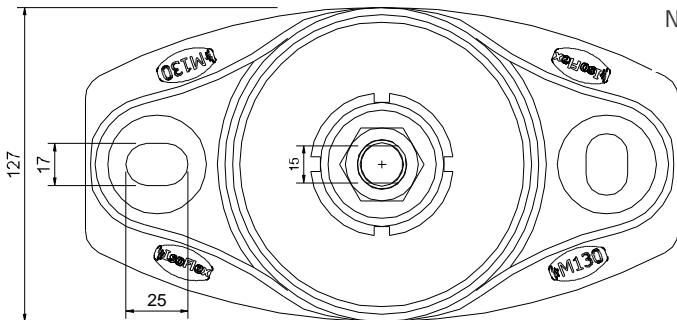
Lbs kg



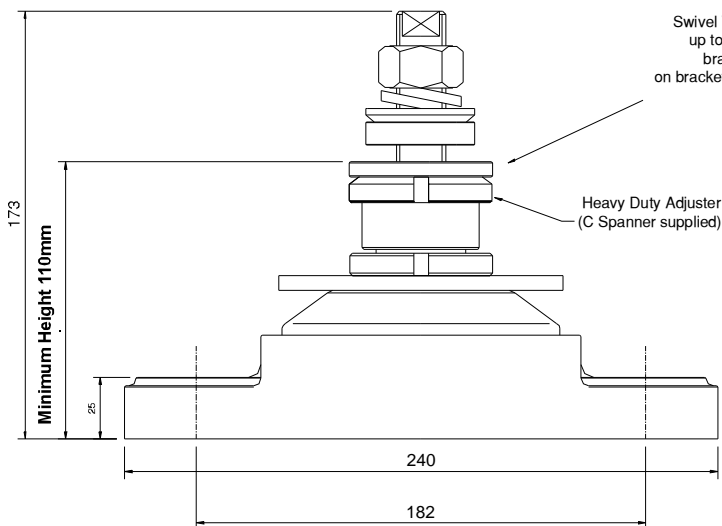
Graph:

Static Longitudinal Thrust Load (T-direction) versus Deflection[mm] (ins)

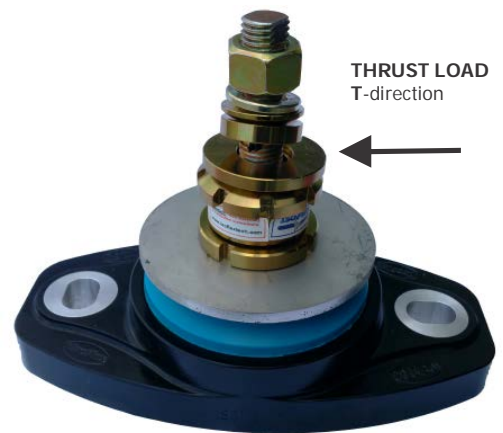
Note: Stated Spring Rate average @ 2mm



Overall Height



Dimensions in millimetres (mm.) - unless stated otherwise E&OE



Drawing Number: DST-M130HD-20S [R2]
 Drawn: WF Date: 02 July 2018

Copyright © 2018 IsoFlex Technologies Pty Ltd.

Specifications are subject to change without notice.



IsoFlex Technologies Pty Ltd.

Unit 11, 75 Waterway Drive, Gold Coast Marine Precinct, Coomera, Queensland, Australia. 4209
 Ph: 1300 366 393 Ph: 07 555 60 924 F: 07 555 60 984 Int prefix: 617
 Email: info@isoflex.com.au
 Home Page: www.isoflex.com.au

IsoFlex Mount Data Sheet

Loadings:

Lateral Thrust (L-direction)

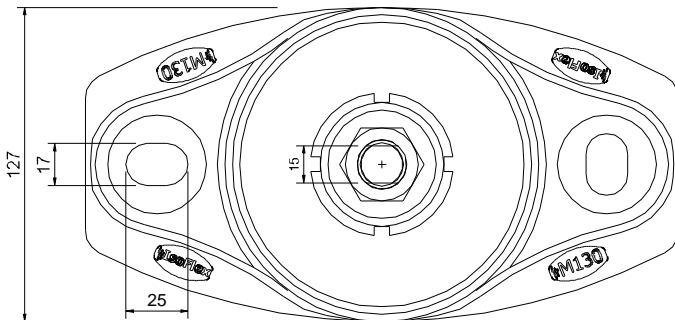
Mount Model: M130HD-20S

- 'M130' = model number
- 'HD' = Heavy Duty
- '20' = thread size
- 'S' = Stud Adjusting type

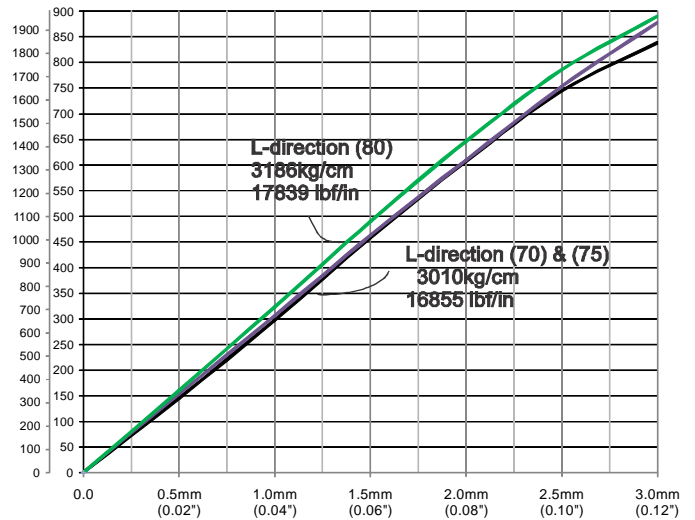
Resilient Element Colour	Shore Durometer Hardness A-scale SDH-A
Red	60
Black	70
Light Blue	72
Royal Blue	75
Green	80
Grey	90

Base: Black - 75 SDH-D

All steel components zinc plated to ASTM B633 SC3



LOAD Lbs kg

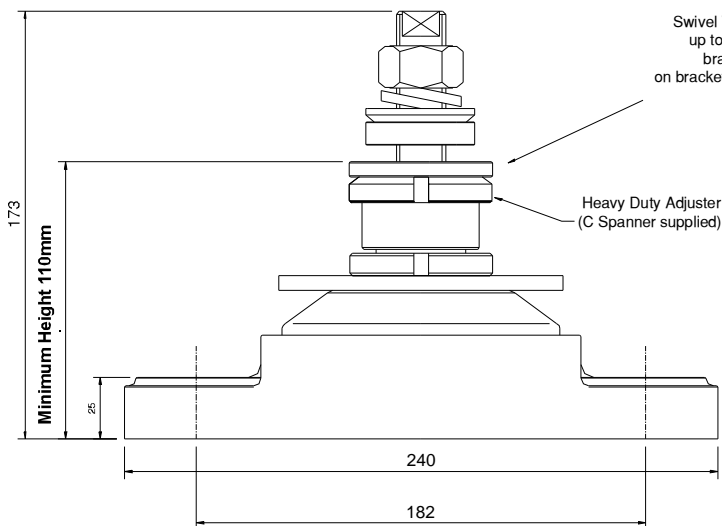


Graph:

Static Lateral Load[kg] (L-direction) versus Deflection[mm] (ins)

Note: Stated Spring Rate average @ 2mm

Overall Height



Dimensions in millimetres (mm.) - unless stated otherwise E&OE

Dimensions in millimetres (mm.) - unless stated otherwise



Drawing Number: DSL-M130HD-20S [R2]
 Drawn: WF Date: 02 July 2018