



IsoFlex Technologies Pty Ltd.

Unit 33, 75 Waterway Drive, Gold Coast Marine Precinct, Coomera, Queensland, Australia. 4209
 Ph: 1300 366 393 Ph: 07 555 60 924 F: 07 555 60 984 Int prefix: 617
 Email: info@isoflex.com.au
 Home Page: www.isoflex.com.au

IsoFlex Mount Data Sheet

Loading Type:

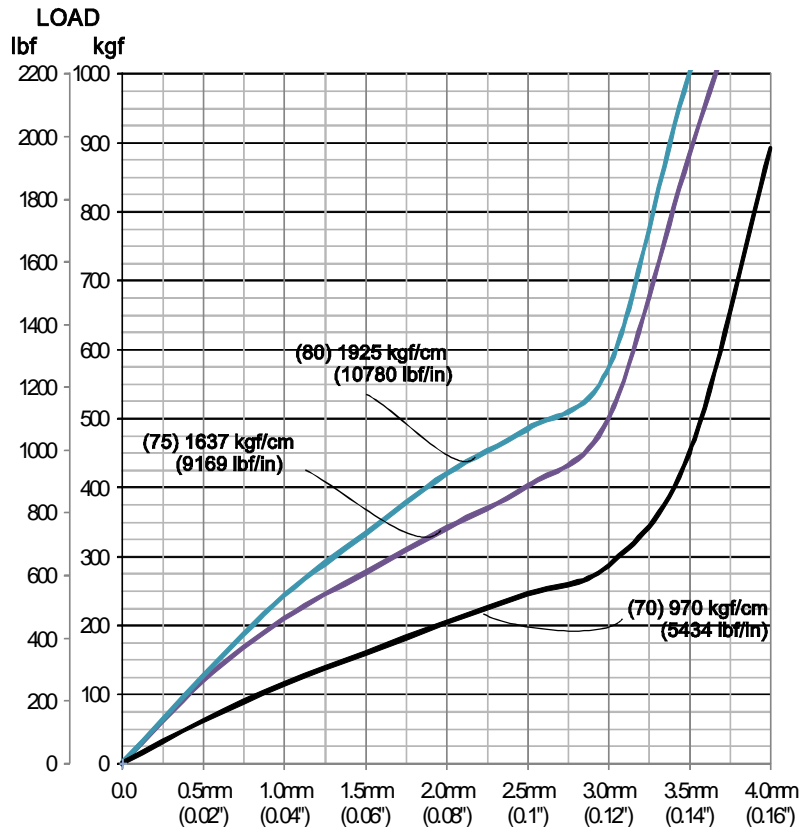
Axial - Vertical Down (A-direction)

Mount Model: M130HDLP-24 S

'M130' = model number
 'HD' = Heavy Duty
 'LP' = Low Profile
 '24' = thread size
 'S' = Stud type

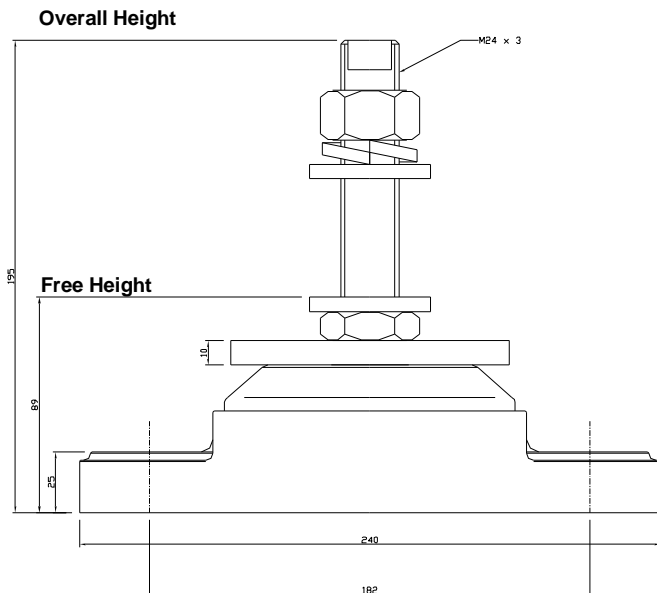
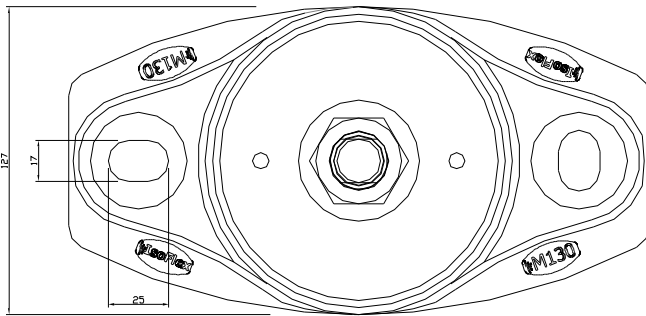
Resilient Element Colour	Shore Durometer Hardness A-scale SDH-A
Yellow	50
Red	60
Black	70
Royal Blue	75
Green	80
Grey	90
Base: Black - 75 SDH-D	

All metal components zinc plated to ASTM B633 SC3

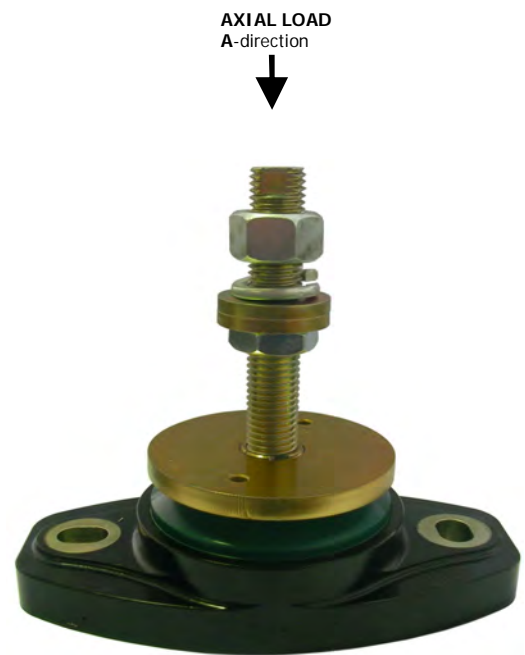


Graph 1: Static Axial Vertical Load [kg] (A-direction) versus Deflection [mm] (ins)
 Data shown: (x) = SDH-A Hardness
 kg/cm = Spring Rate

Note: Stated Spring Rate average @ 3mm



Dimensions in millimetres (mm.) - unless stated otherwise



Drawing Number: DSA-M130HDLP-24 S
 Drawn: WF Date: 9 July 2012

Copyright © 2012 IsoFlex Technologies Pty Ltd.

Specifications are subject to change without notice.



IsoFlex Technologies Pty Ltd.

Unit 33, 75 Waterway Drive, Gold Coast Marine Precinct, Coomera, Queensland, Australia. 4209
 Ph: 1300 366 393 Ph: 07 555 60 924 F: 07 555 60 984 Int prefix: 617
 Email: info@isoflex.com.au
 Home Page: www.isoflex.com.au

IsoFlex Mount Data Sheet

Loading Type:

Longitudinal Thrust (T-direction)

Mount Model: M130HDLP-24S

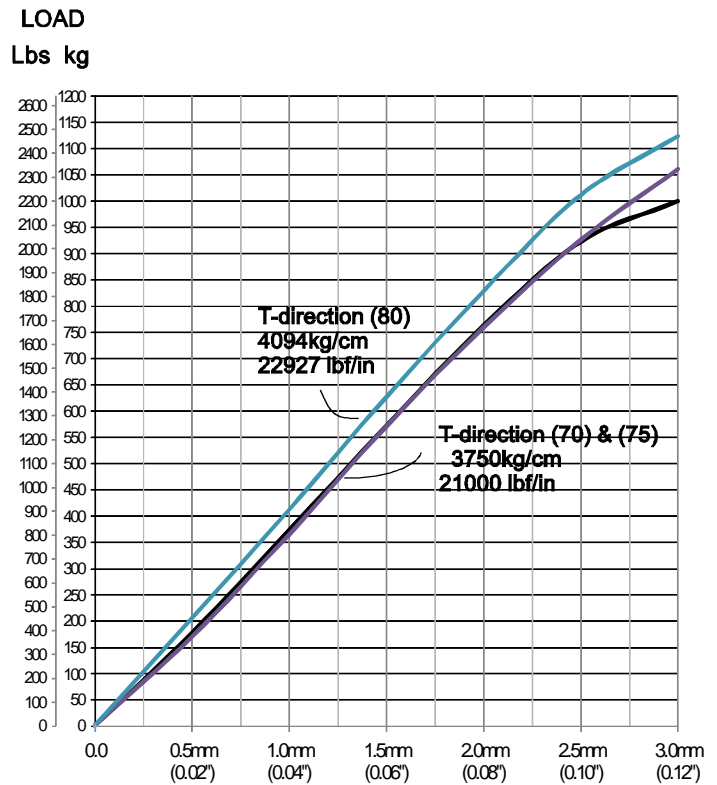
- 'M130' = model number
- 'HD' = Heavy Duty
- 'LP' = Low Profile
- '24' = thread size
- 'S' = Stud Adjusting type

Resilient Element Colour	Shore Durometer Hardness A-scale SDH-A
Yellow	50
Red	60
Black	70
Royal Blue	75
Green	80
Grey	90

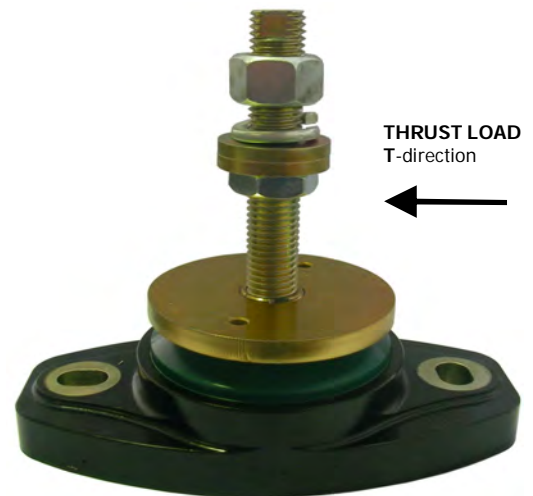
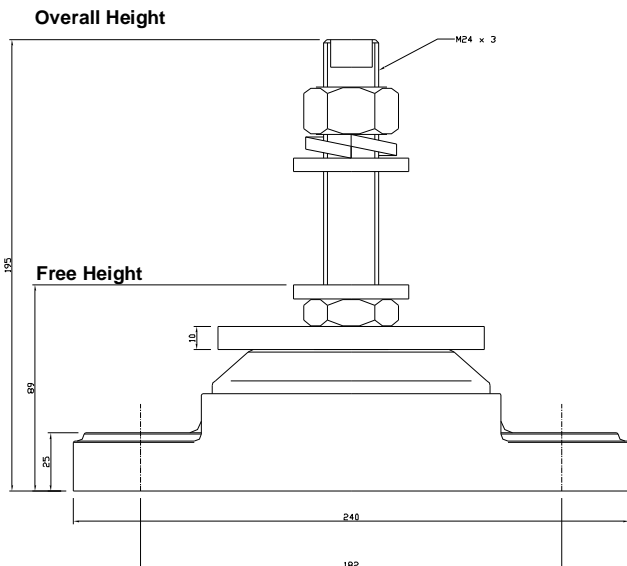
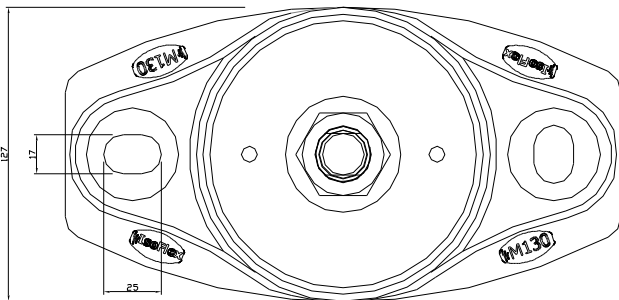
Base: Black - 75 SDH-D

All metal components zinc plated to ASTM B633 SC3

Graph:
 Static Longitudinal Thrust Load (T-direction) versus Deflection [mm] (ins)



Note: Stated Spring Rate average @ 2mm



Drawing Number: DST-M130HDLP-24S
 Drawn: WF Date: 9 July 2012

Copyright © 2012 **IsoFlex Technologies Pty Ltd.**

Specifications are subject to change without notice.

Dimensions in millimetres (mm.) - unless stated otherwise



IsoFlex Mount Data Sheet

Loadings:

Lateral Thrust (L-direction)

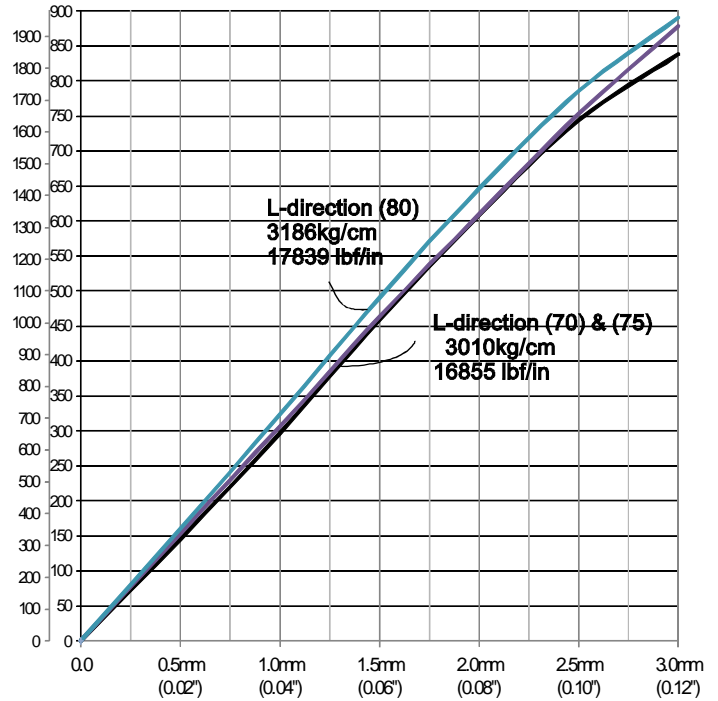
Mount Model: M130HDLP-24S

- 'M130' = model number
- 'HD' = Heavy Duty
- 'LP' = Low Profile
- '24' = thread size
- 'S' = adjusting stud type

Resilient Element Colour	Shore Durometer Hardness A-scale SDH-A
Yellow	50
Red	60
Black	70
Royal Blue	75
Green	80
Grey	90
Base: Black - 75 SDH-D	

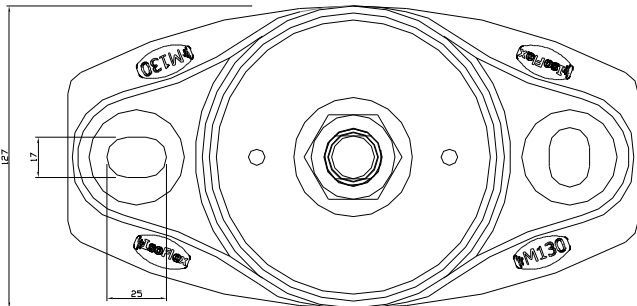
All metal components zinc plated to ASTM B633 SC3

LOAD
Lbs kg

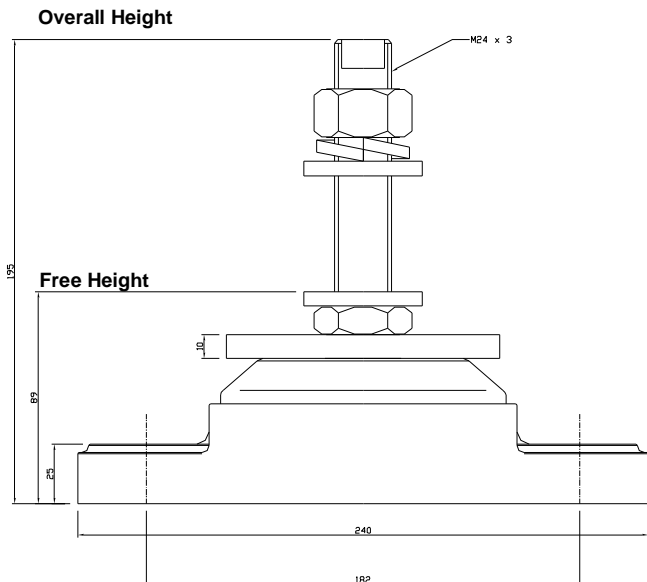


Graph:
Static Lateral Load[kg] (L-direction) versus Deflection[mm] (ins)

Note: Stated Spring Rate average @ 2mm



**Lateral LOAD
L-direction**



Drawing Number: DSL-M130HDLP-24S
 Drawn: WF Date: 9 July 2012