



# IsoFlex Technologies Pty Ltd.

Unit 33, 75 Waterway Drive, Gold Coast Marine Precinct, Coomera, Queensland, Australia. 4209  
 Ph: 1300 366 393 Ph: 07 555 60 924 F: 07 555 60 984 Int prefix: 617  
 Email: info@isoflex.com.au  
 Home Page: www.isoflex.com.au

## IsoFlex Mount Data Sheet

### Loading Type:

**Axial - Vertical Down (A-direction)**

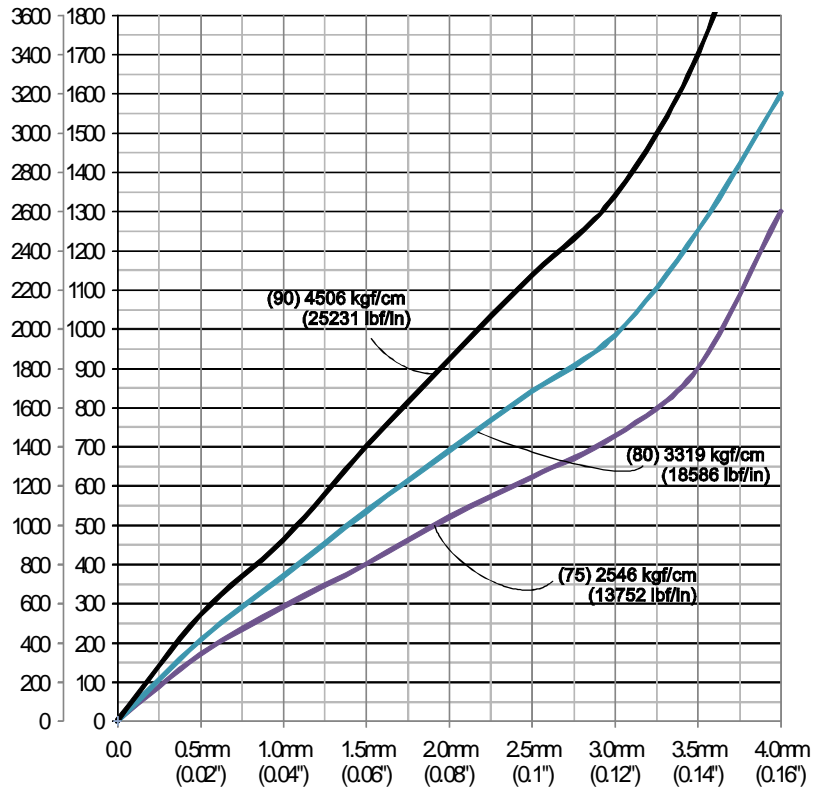
### Mount Model: M130XHD-24S

'M130' = model number  
 'XHD' = Extra Heavy Duty  
 '24' = thread size  
 'S' = adjusting stud type

Resilient Element Colour	Shore Durometer Hardness A-scale SDH-A
Yellow	50
Red	60
Black	70
Royal Blue	75
Green	80
Grey	90

**Base:** Black - 75 SDH-D

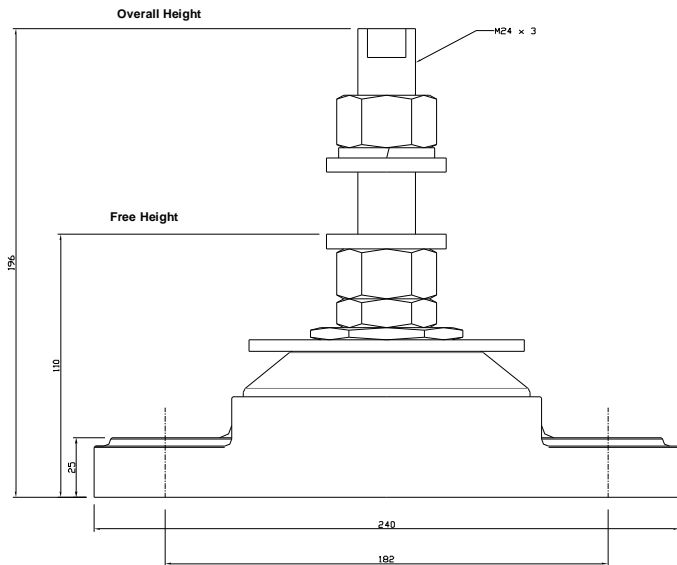
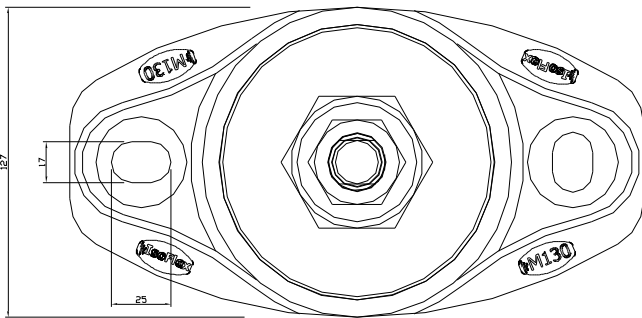
LOAD  
lbf kgf



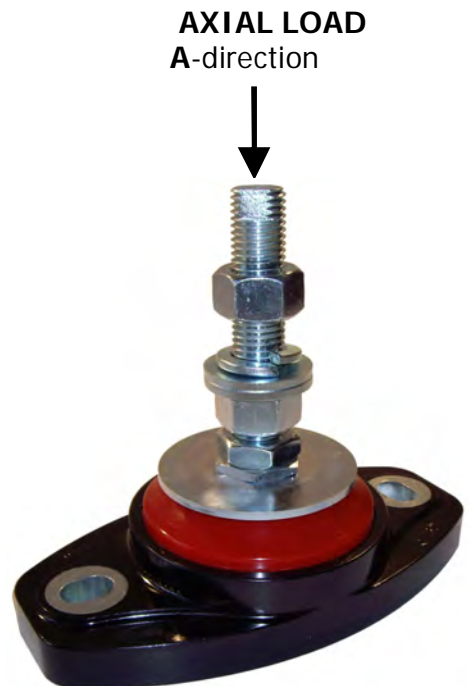
**Graph 1: Static Axial Vertical Load [kg] (A-direction) versus Deflection [mm] (ins)**  
 Data shown: (x) = SDH-A Hardness  
 kgf/cm (lbf/in) = Spring Rate for working load range.

Note: Stated Spring Rate average @ 3mm

All metal components zinc plated to ASTM B633 SC3



Mount Model: M130XHD-24S GA



Drawing Number: DSA-M130XHD-24S Rev3  
 Drawn: WF Date: 23 April 2012

Copyright © 2012 **IsoFlex Technologies Pty Ltd.**

Specifications are subject to change without notice.

Dimensions in millimetres (mm) - unless stated otherwise



**IsoFlex Mount Data Sheet**

**Loading Type:**

**Longitudinal Thrust (T-direction)**

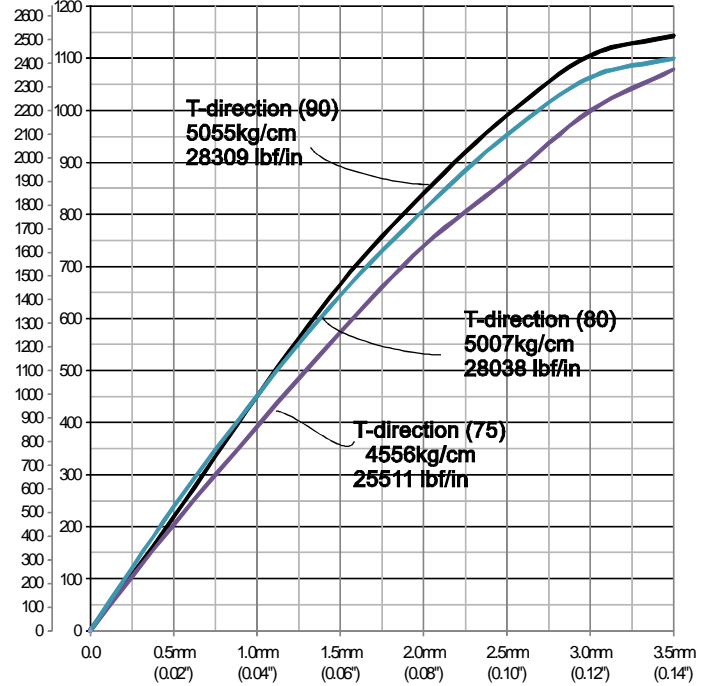
**Mount Model: M130XHD-24S**

'M130' = model number  
 'XHD' = Extra Heavy Duty  
 '24' = thread size  
 'S' = adjusting stud type

Resilient Element Colour	Shore Durometer Hardness A-scale SDH-A
Yellow	50
Red	60
Black	70
Royal Blue	75
Green	80
Grey	90

**Base:** Black - 75 SDH-D

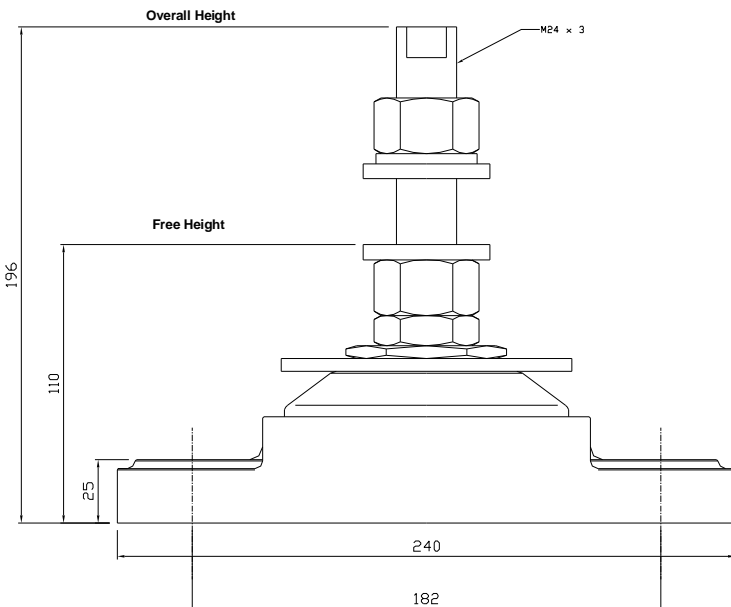
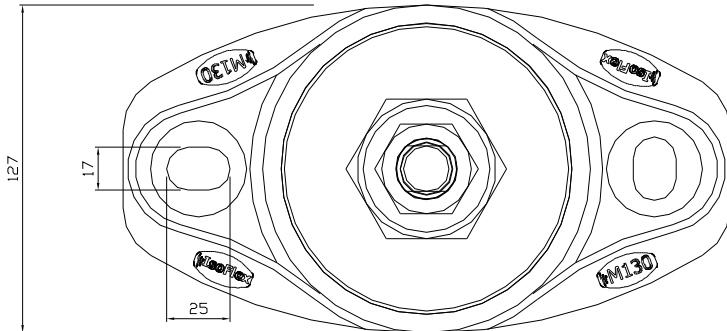
**LOAD**  
**Lbs kg**



All metal components zinc plated to ASTM B633 SC3

**Graph:**  
**Static Longitudinal Thrust Load (T-direction) versus Deflection [mm] (ins)**

Note: Stated Spring Rate average @ 2mm



Mount Model: M130HD-24 S GA

Dimensions in millimetres (mm.) - unless stated otherwise



Drawing Number: DST-M130XHD-24S [R1]  
 Drawn: WF Date: 22 June 2012



**IsoFlex Mount Data Sheet**

**Loadings:**

**Lateral Thrust (L-direction)**

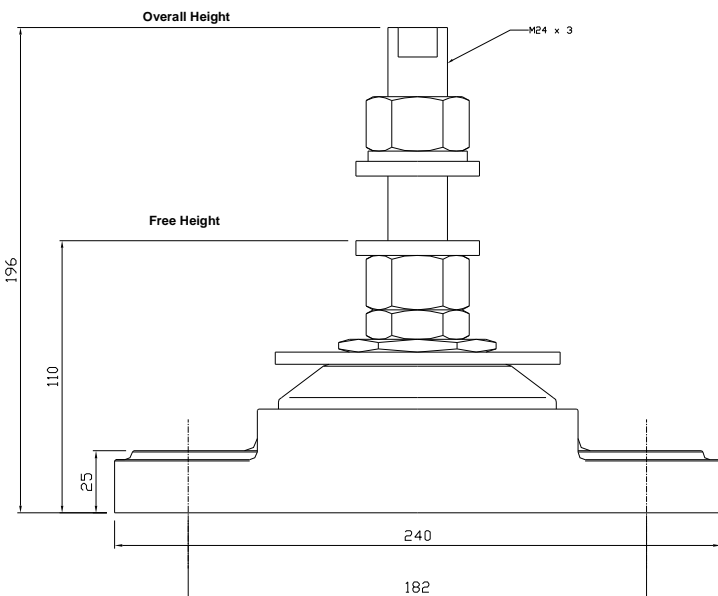
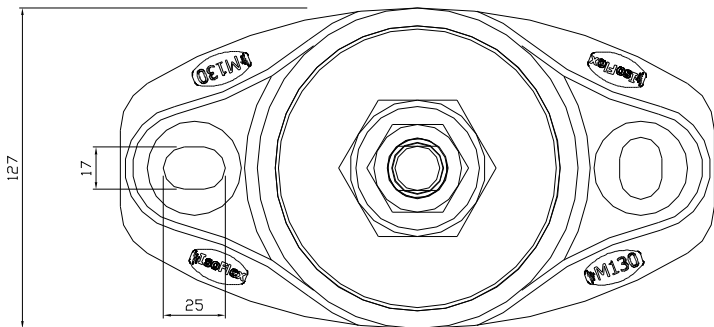
**Mount Model: M130XHD-24S**

'M130' = model number  
 'XHD' = Extra Heavy Duty  
 '24' = thread size  
 'S' = adjusting stud type

Resilient Element Colour	Shore Durometer Hardness A-scale SDH-A
Yellow	50
Red	60
Black	70
Royal Blue	75
Green	80
Grey	90

**Base:** Black - 75 SDH-D

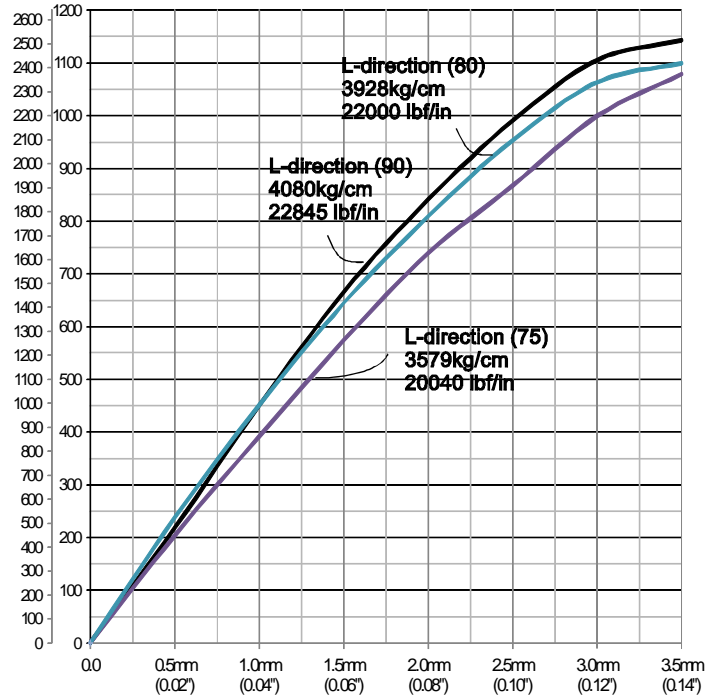
All metal components zinc plated to ASTM B633 SC3



Mount Model: M130XHD-24 S GA

Dimensions in millimetres (mm.) - unless stated otherwise

**LOAD**  
**Lbs kg**



**Graph:**  
**Static Lateral Load[kg] (L-direction) versus Deflection[mm] (ins)**

Note: Stated Spring Rate average @ 2mm



Drawing Number: DSL-M130XHD-24S [R1]  
 Drawn: WF Date: 22 June 2012