



# IsoFlex Technologies Pty Ltd.

Unit 11, 75 Waterway Drive, Gold Coast Marine Precinct, Coomera, Queensland, Australia. 4209  
 Ph: 1300 366 393 Ph: 07 555 60 924 F: 07 555 60 984 Int prefix: 617  
 Email: info@isoflex.com.au  
 Home Page: www.isoflex.com.au

## IsoFlex Mount Data Sheet

### Loading Type:

**Axial - Vertical Down (A-direction)**

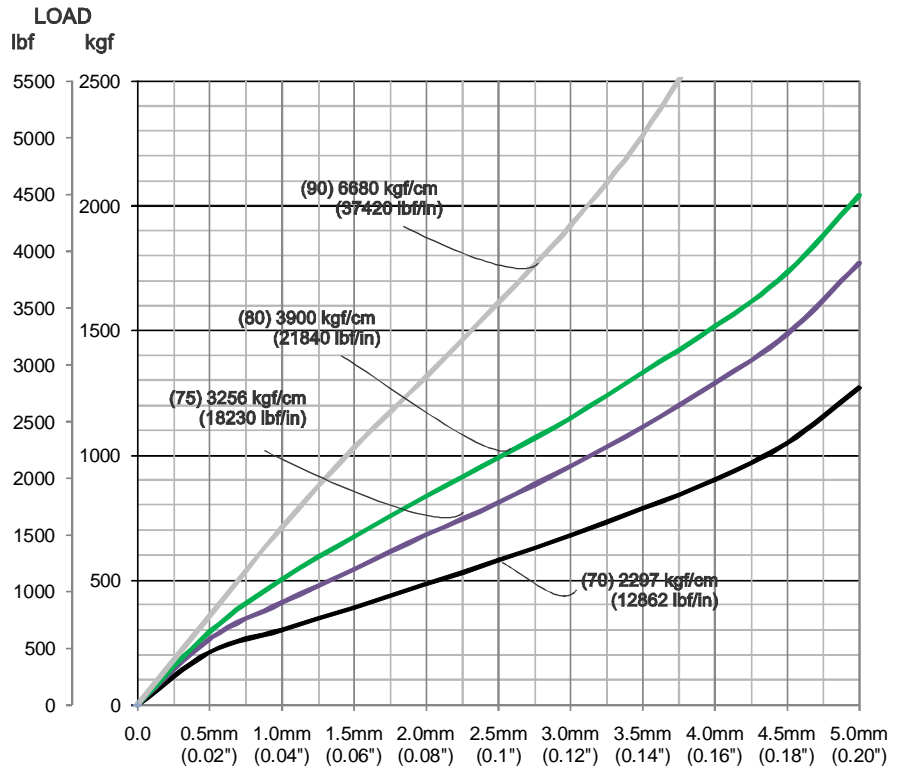
### Mount Model: M136HD-24 S

'M136' = model number  
 'HD' = Heavy Duty  
 '24' = thread size  
 'S' = Stud type

Resilient Element Colour	Shore Durometer Hardness A-scale SDH-A
Yellow	50
Red	60
Black	70
Royal Blue	75
Green	80
Grey	90

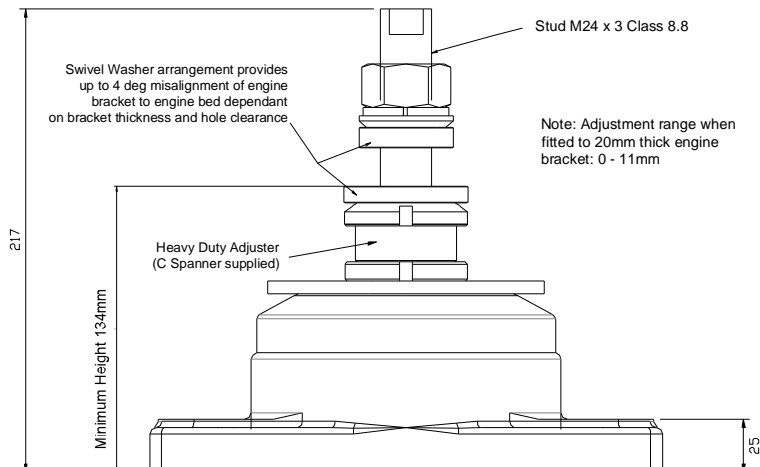
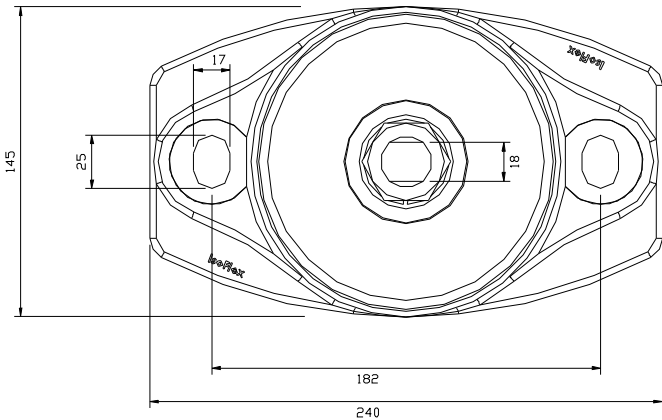
**Base:** Black - 75 SDH-D

All metal components zinc plated to ASTM B633 SC3



Graph 1: Static Axial Vertical Load[kg] (A-direction) versus Deflection[mm] (ins)  
 Data shown: (x) = SDH-A Hardness  
 kg/cm = Spring Rate

Note: Stated Spring Rate average @ 3mm



Dimensions in millimetres (mm.) - unless stated otherwise



Drawing Number: DSA-M136HD-24 S Rev1  
 Drawn: WF Date: 15 August 2018

Copyright © 2018 IsoFlex Technologies Pty Ltd.

Specifications are subject to change without notice.



# IsoFlex Technologies Pty Ltd.

Unit 11, 75 Waterway Drive, Gold Coast Marine Precinct, Coomera, Queensland, Australia. 4209  
 Ph: 1300 366 393 Ph: 07 555 60 924 F: 07 555 60 984 Int prefix: 617  
 Email: info@isoflex.com.au  
 Home Page: www.isoflex.com.au

## IsoFlex Mount Data Sheet

### Loadings:

#### 2. Longitudinal Thrust (T-direction)

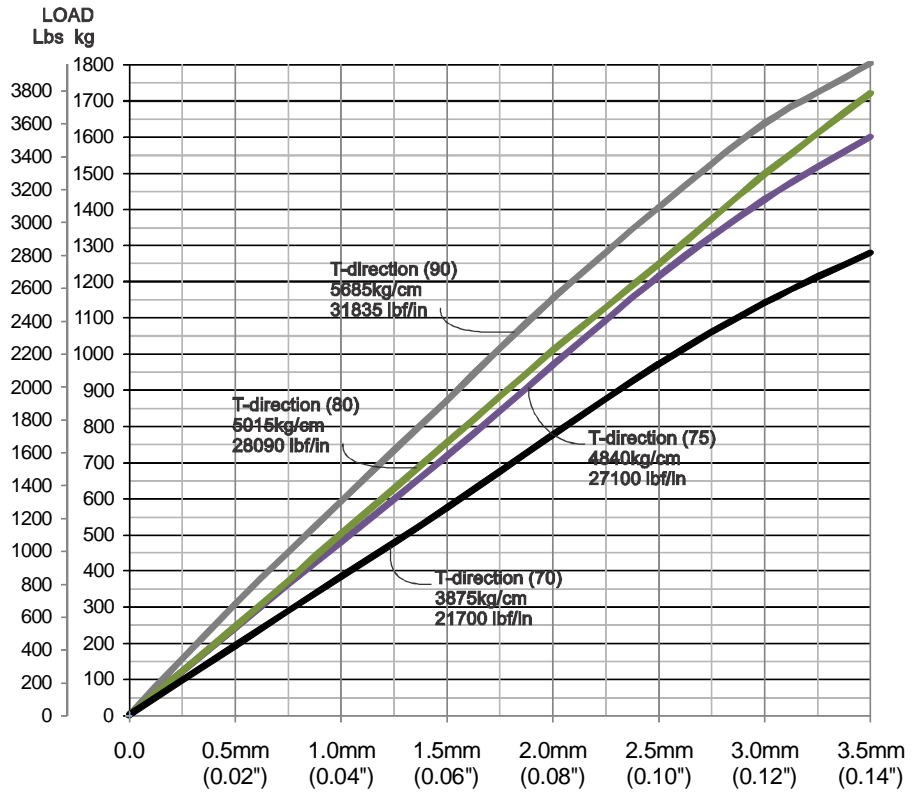
#### Mount Model: M136HD-24 S

'M136' = model number  
 'HD' = Heavy Duty  
 '24' = thread size  
 'S' = adjusting stud type

Resilient Element Colour	Shore Durometer Hardness A-scale SDH-A
Yellow	50
Red	60
Black	70
Royal Blue	75
Green	80
Grey	90

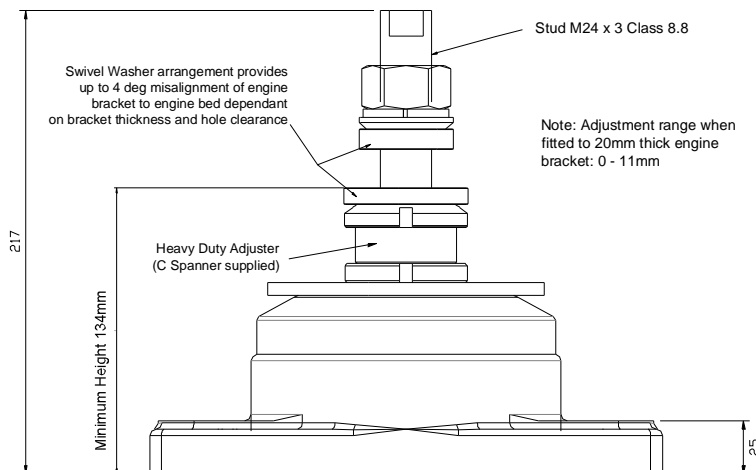
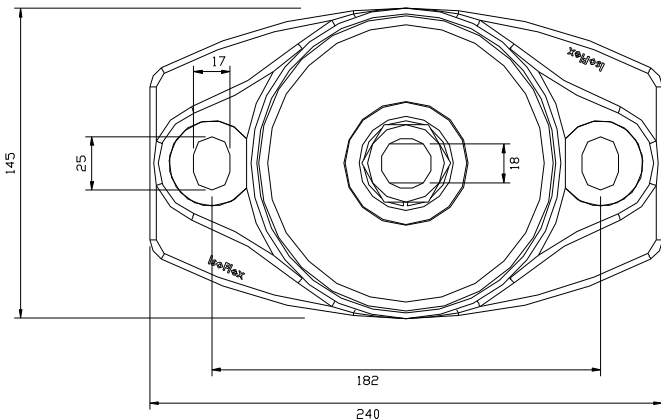
**Base:** Black - 75 SDH-D

All metal components zinc plated to ASTM B633 SC3



**Graph:**  
 Static Longitudinal (Thrust) Load[kg] (T-direction) versus Deflection[mm] (ins)

Note: Stated Spring Rate average @ 2mm



Dimensions in millimetres (mm.) - unless stated otherwise

Drawing Number: DST-M136HD-24 S Rev1  
 Drawn: WF Date: 18 August 2018

Copyright © 2018 IsoFlex Technologies Pty Ltd.

Specifications are subject to change without notice.



# IsoFlex Technologies Pty Ltd.

Unit 11, 75 Waterway Drive, Gold Coast Marine Precinct, Coomera, Queensland, Australia. 4209  
 Ph: 1300 366 393 Ph: 07 555 60 924 F: 07 555 60 984 Int prefix: 617  
 Email: info@isoflex.com.au  
 Home Page: www.isoflex.com.au

## IsoFlex Mount Data Sheet

### Loadings:

#### Lateral Thrust (L-direction)

#### Mount Model: M136HD-24S

'M136' = model number  
 'HD' = Heavy Duty  
 '24' = thread size  
 'S' = adjusting stud type

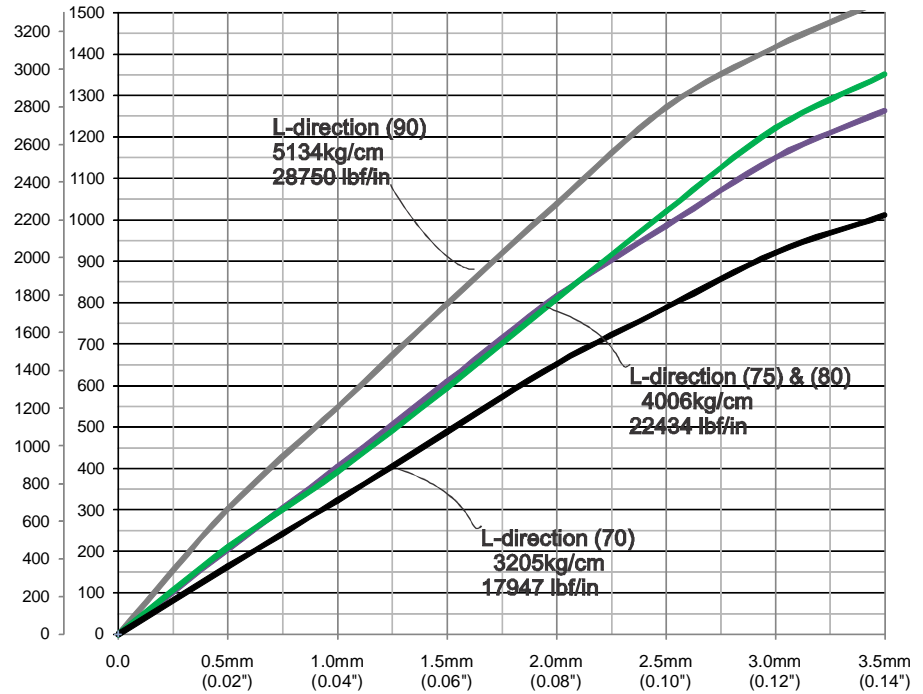
Resilient Element Colour	Shore Durometer Hardness A-scale SDH-A
Yellow	50
Red	60
Black	70
Royal Blue	75
Green	80
Grey	90

**Base:** Black - 75 SDH-D

All metal components zinc plated to ASTM B633 SC3

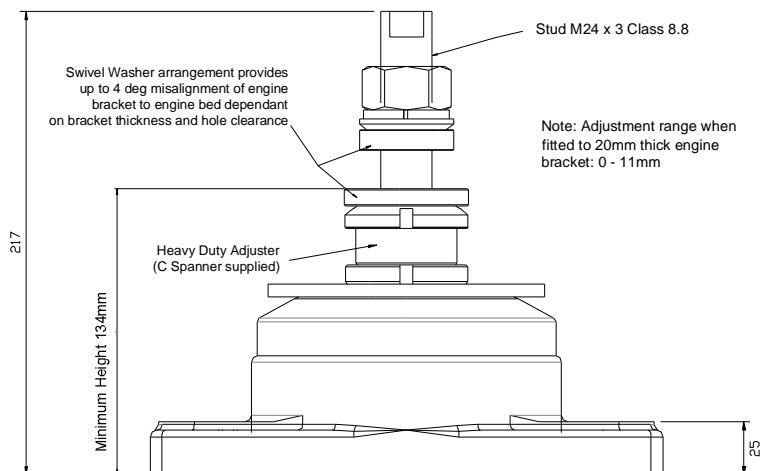
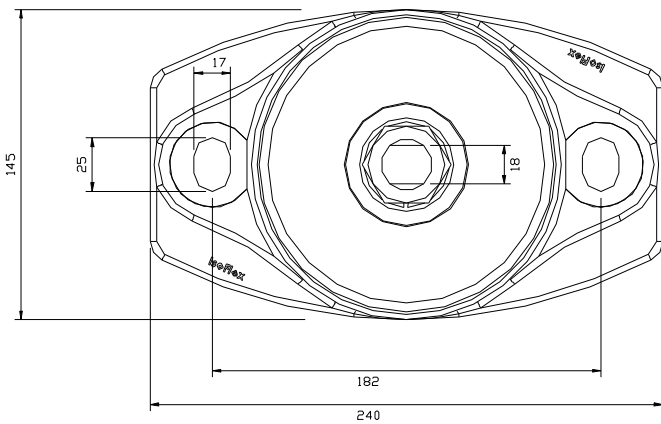
### LOAD

Lbs kg



**Graph:**  
 Static Lateral Load[kg] (L-direction) versus Deflection[mm] (ins)

Note: Stated Spring Rate average @ 2mm



**Lateral LOAD**  
**L-direction**

Drawing Number: DSL-M136HD-24 S Rev1  
 Drawn: WF Date: 15 August 2018