



IsoFlex Technologies Pty Ltd.

Unit 11, 75 Waterway Drive, Gold Coast Marine Precinct, Coomera, Queensland, Australia. 4209
 Ph: 1300 366 393 Ph: 07 555 60 924 F: 07 555 60 984 Int prefix: 617
 Email: info@isoflex.com.au
 Home Page: www.isoflex.com.au

IsoFlex Mount Data Sheet

Loading Type:

Axial - Vertical Down (A-direction)

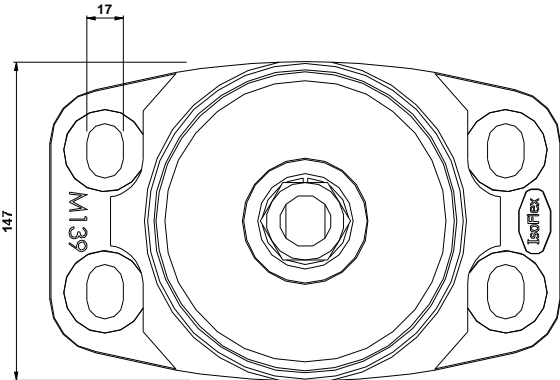
Mount Model: M139HD-24 S

'M139' = model number
 'HD' = Heavy Duty
 '24' = thread size
 'S' = Stud type

Resilient Element Colour	Shore Durometer Hardness A-scale SDH-A
Yellow	50
Red	60
Black	70
Royal Blue	75
Green	80
Grey	90

Base: Black - 75 SDH-D

All metal components zinc plated to ASTM B633 SC3

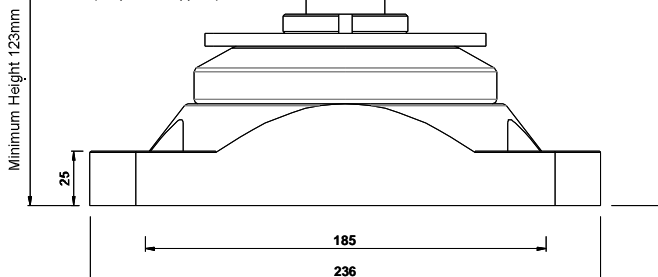


Stud M24 x 3 Class 8.8

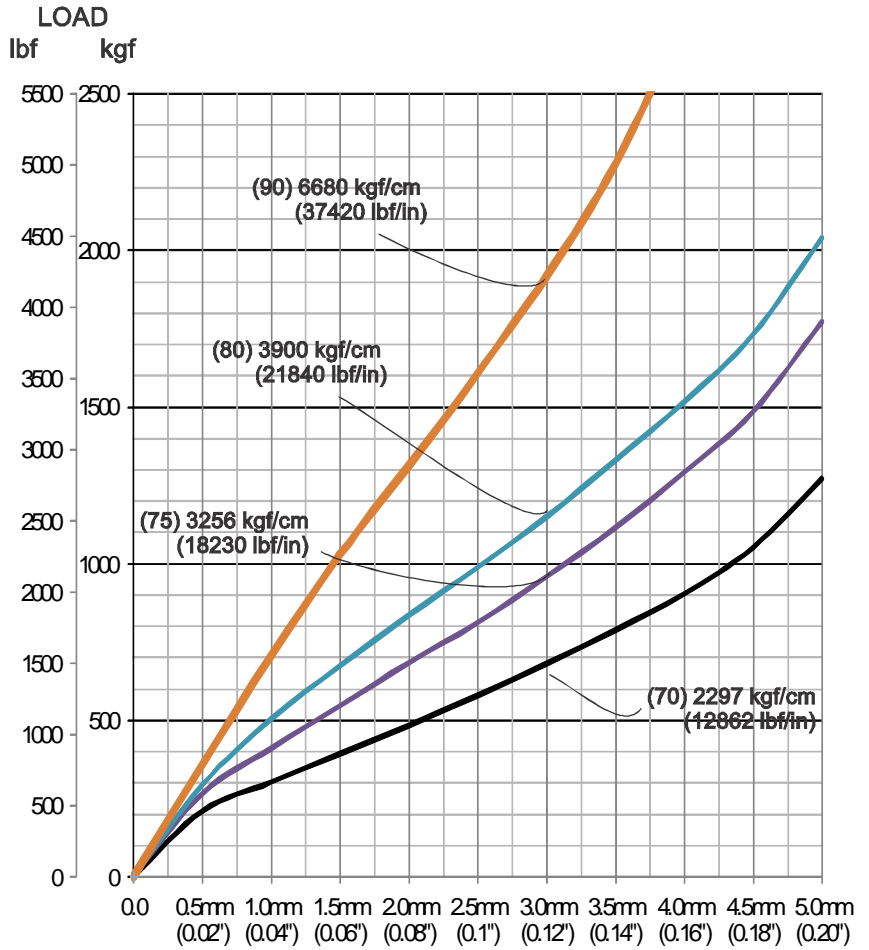
Swivel Washer arrangement provides up to 4 deg misalignment of engine bracket to engine bed dependent on bracket thickness and hole clearance

Note: Adjustment range when fitted to 20mm thick engine bracket: 0 - 10mm

Heavy Duty Adjuster (C Spanner supplied)

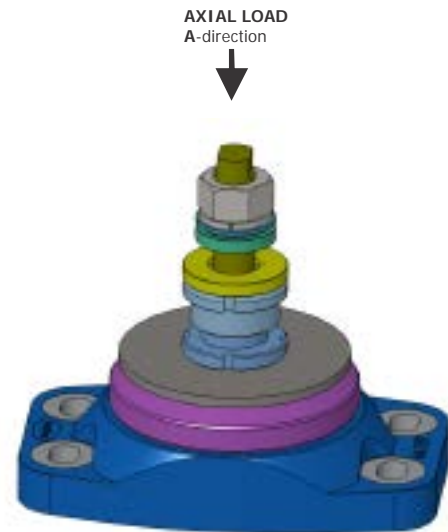


Dimensions in millimetres (mm.) - unless stated otherwise



Graph 1: Static Axial Vertical Load[kg] (A-direction) versus Deflection[mm] (in)
 Data shown: (x) = SDH-A Hardness
 kg/cm = Spring Rate

Note: Stated Spring Rate average @ 3mm



Drawing Number: DSA-M139HD-24 S
 Drawn: WF Date: 13 October 2015



IsoFlex Technologies Pty Ltd.

Unit 11, 75 Waterway Drive, Gold Coast Marine Precinct, Coomera, Queensland, Australia. 4209
 Ph: 1300 366 393 Ph: 07 555 60 924 F: 07 555 60 984 Int prefix: 617
 Email: info@isoflex.com.au
 Home Page: www.isoflex.com.au

IsoFlex Mount Data Sheet

Loadings:

2. Longitudinal Thrust (T-direction)

Mount Model: M139HD-24 S

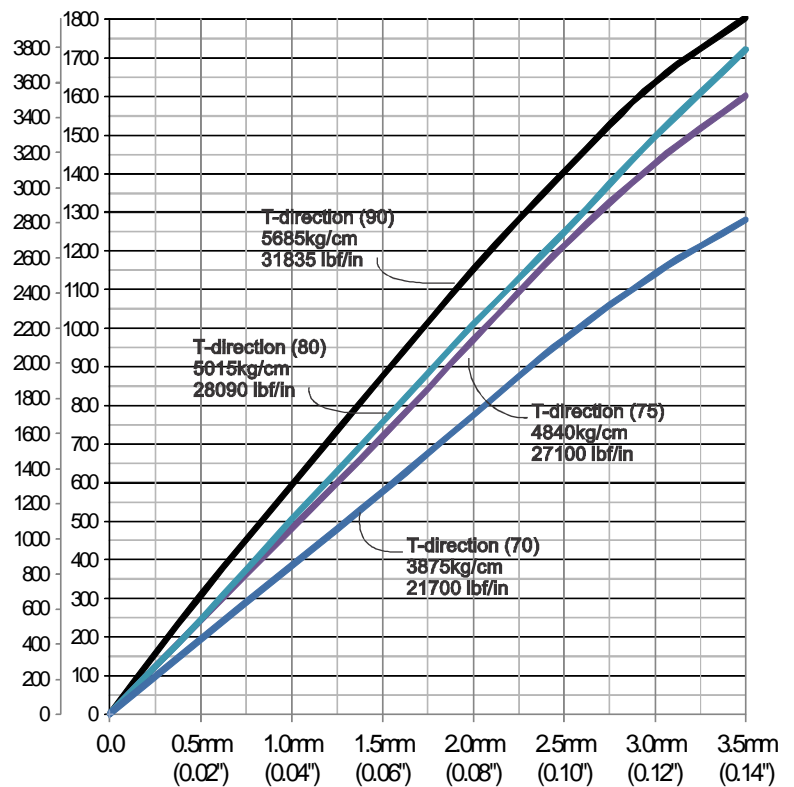
'M139' = model number
 'HD' = Heavy Duty
 '24' = thread size
 'S' = adjusting stud type

Resilient Element Colour	Shore Durometer Hardness A-scale SDH-A
Yellow	50
Red	60
Black	70
Royal Blue	75
Green	80
Grey	90

Base: Black - 75 SDH-D

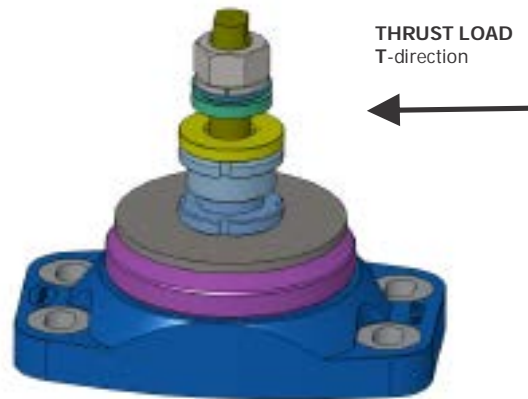
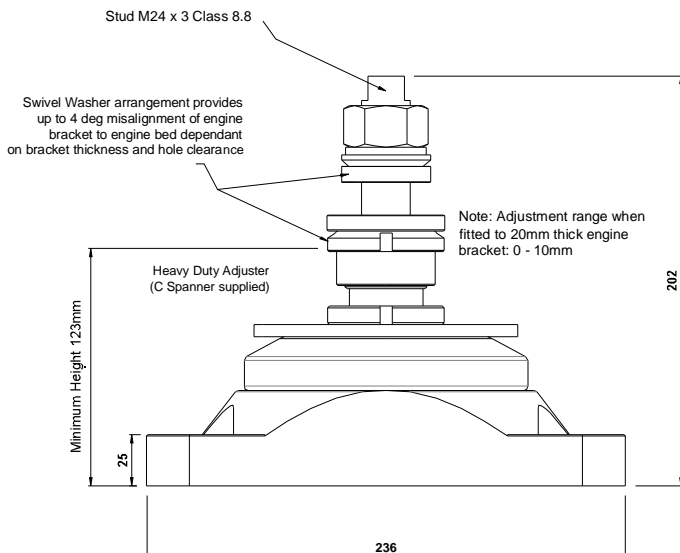
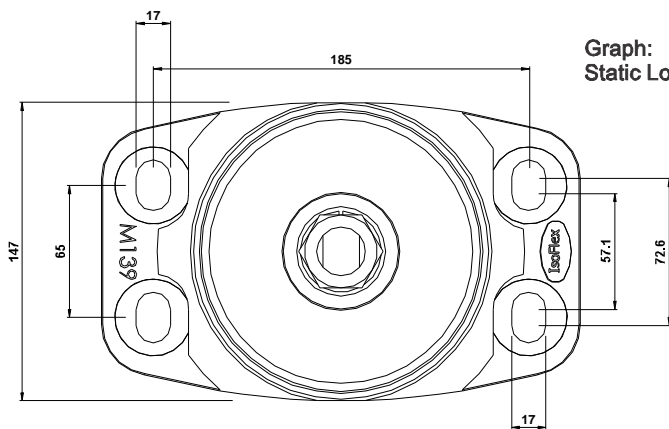
All metal components zinc plated to ASTM B633 SC3

LOAD
Lbs kg



Graph: Static Longitudinal (Thrust) Load[kg] (T-direction) versus Deflection[mm] (ins)

Note: Stated Spring Rate average @ 2mm



Drawing Number: DST-M139HD-24 S
 Drawn: WF Date: 13 October 2015

Copyright © 2015 IsoFlex Technologies Pty Ltd.

Specifications are subject to change without notice.

Dimensions in millimetres (mm.) - unless stated otherwise



IsoFlex Technologies Pty Ltd.

Unit 33, 75 Waterway Drive, Gold Coast Marine Precinct, Coomera, Queensland, Australia. 4209
 Ph: 1300 366 393 Ph: 07 555 60 924 F: 07 555 60 984 Int prefix: 617
 Email: info@isoflex.com.au
 Home Page: www.isoflex.com.au

IsoFlex Mount Data Sheet

Loadings:

Lateral Thrust (L-direction)

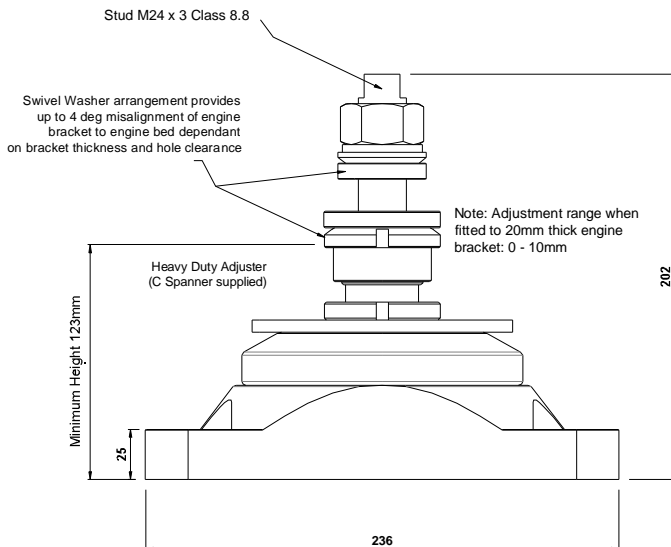
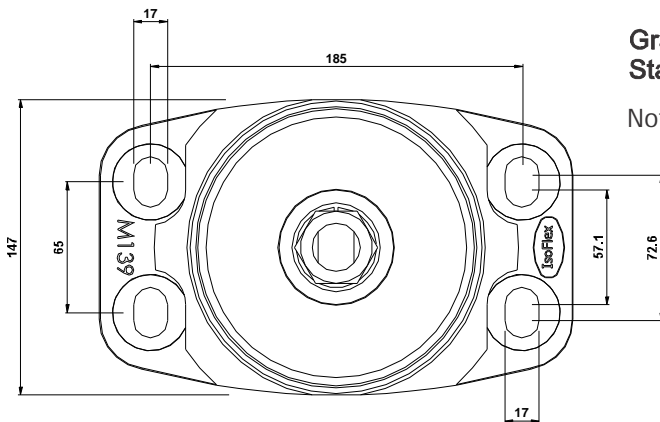
Mount Model: M139HD-24S

'M139' = model number
 'HD' = Heavy Duty
 '24' = thread size
 'S' = adjusting stud type

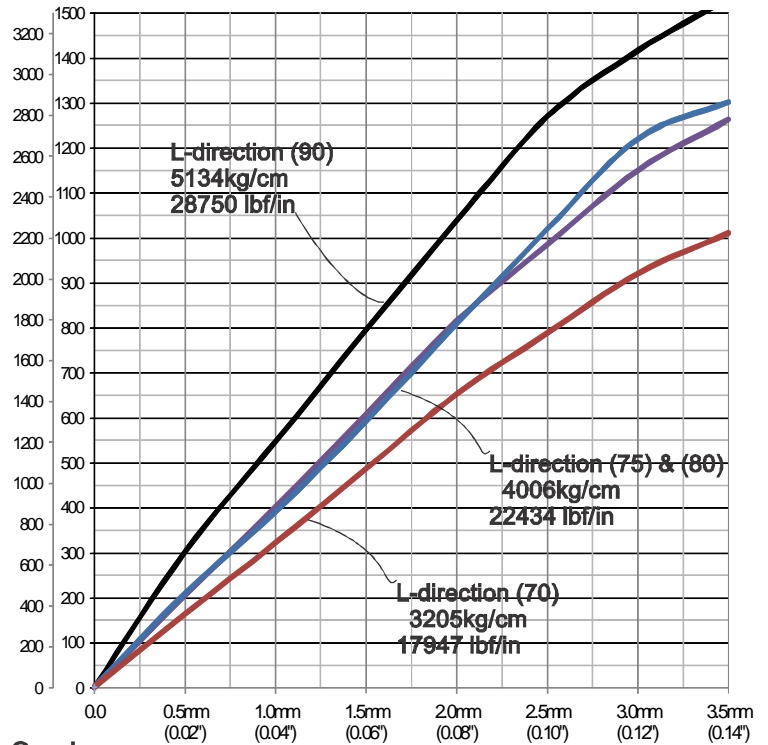
Resilient Element Colour	Shore Durometer Hardness A-scale SDH-A
Yellow	50
Red	60
Black	70
Royal Blue	75
Green	80
Grey	90

Base: Black - 75 SDH-D

All metal components zinc plated to ASTM B633 SC3

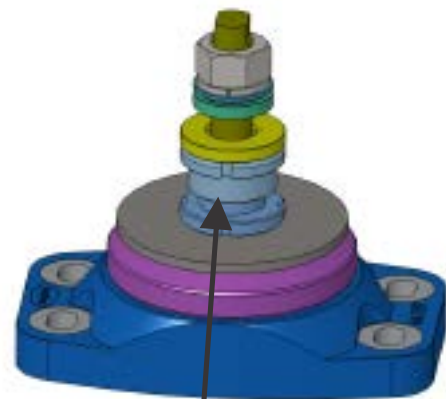


LOAD Lbs kg



Graph: Static Lateral Load[kg] (L-direction) versus Deflection[mm] (ins)

Note: Stated Spring Rate average @ 2mm



Lateral LOAD
L-direction

Drawing Number: DSL-M139HD-24 S
 Drawn: WF Date: 13 October 2015

Copyright © 2015 IsoFlex Technologies Pty Ltd.

Specifications are subject to change without notice.

Dimensions in millimetres (mm.) - unless stated otherwise