



IsoFlex Mount Data Sheet

Loading:

1. Axial - Vertical Down (A-direction)

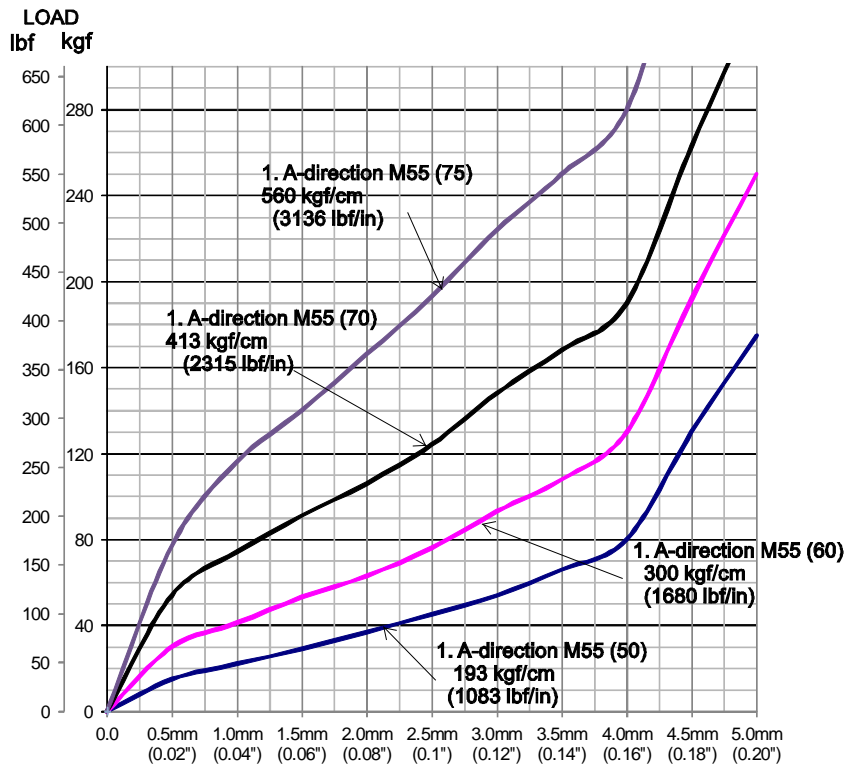
Mount Model: M55-12S

'M55' = model number
 '12' = thread size
 'S' = adjusting stud type

Resilient Element Colour	Shore Durometer Hardness A-scale SDH-A
Yellow	50
Red	60
Black	70
Royal Blue	75

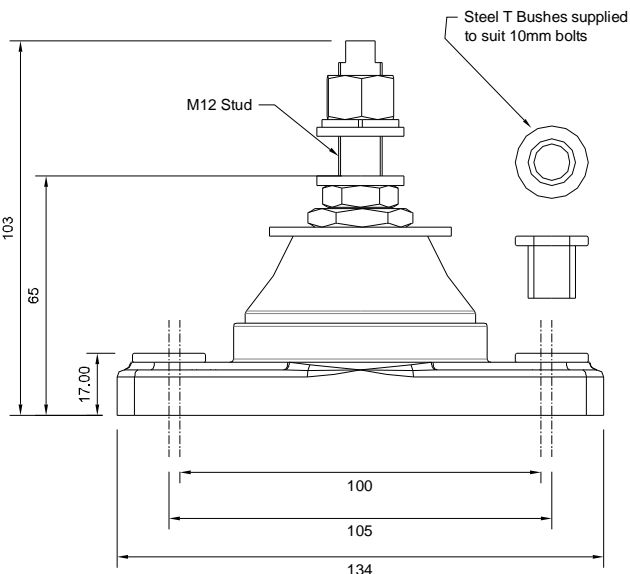
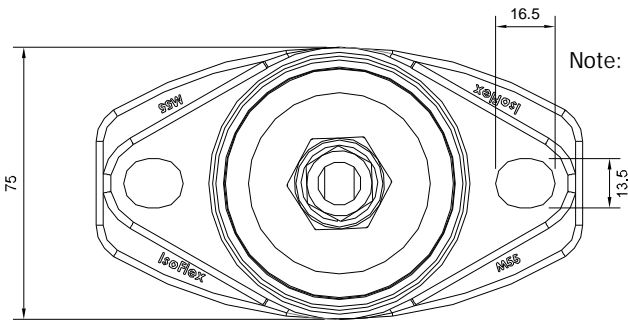
Base: Black - 75 SDH-D

All metal components zinc plated to ASTM B633 SC3



Graph 1: Static Axial Vertical Load[kg] (A-direction) versus Deflection[mm] (ins)
 Data shown: (x) = SDH-A Hardness kg/cm = Spring Rate

Note: Stated Spring Rate average @ 3mm



Model Number shown: M55-12 S (50)

Drawing Number: DSA-M55-12 S Rev 2
 Drawn: WF Date: 14 Sept 2012

M55-12 S General Arrangement

Dimensions in millimetres (mm.) - unless stated otherwise



IsoFlex Technologies Pty Ltd.

Unit 33, 75 Waterway Drive, Gold Coast Marine Precinct, Coomera, Queensland, Australia. 4209
 Ph: 1300 366 393 Ph: 07 555 60 924 F: 07 555 60 984 Int prefix: 617
 Email: info@isoflex.com.au
 Home Page: www.isoflex.com.au

IsoFlex Mount Data Sheet

Loadings: Longitudinal Thrust (T-direction)

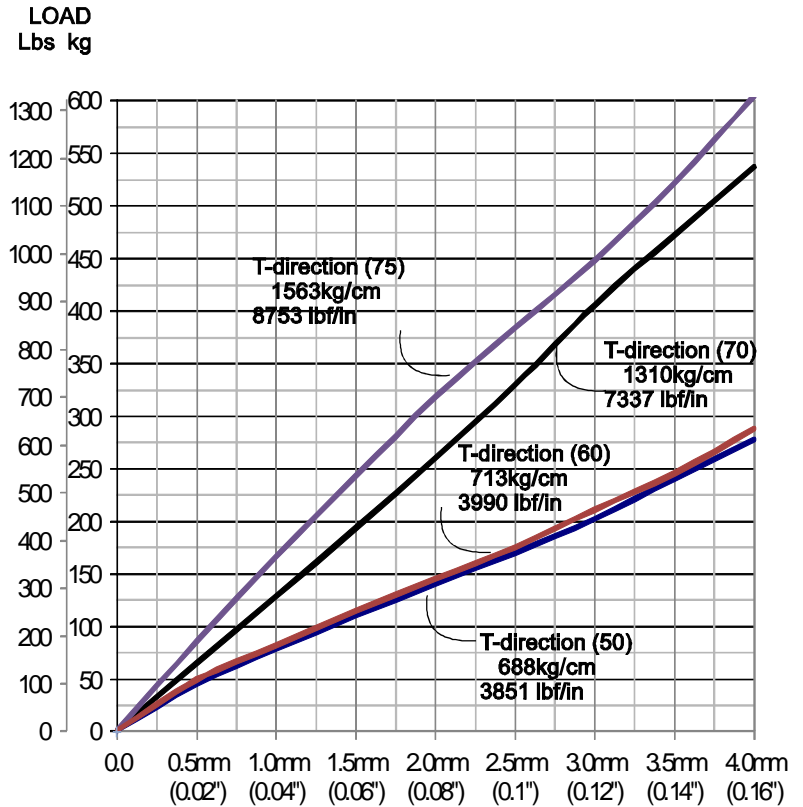
Mount Model: M55-12 S

'M55' = model number
 '12' = thread size
 'S' = Stud Adjusting type

Resilient Element Colour	Shore Durometer Hardness A-scale SDH-A
Yellow	50
Red	60
Black	70
Royal Blue	75

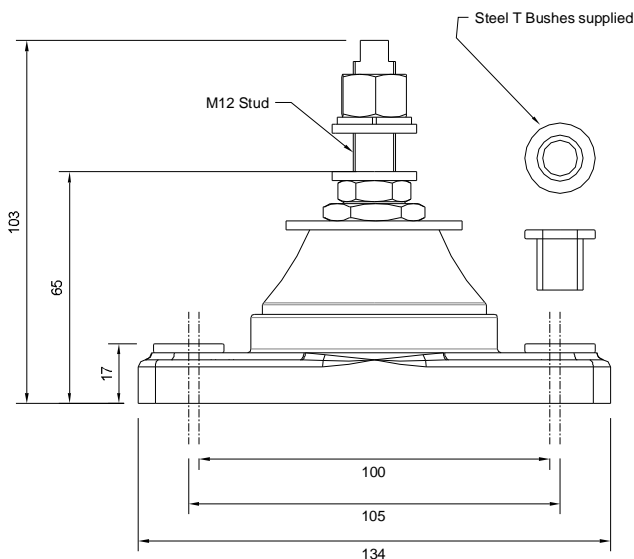
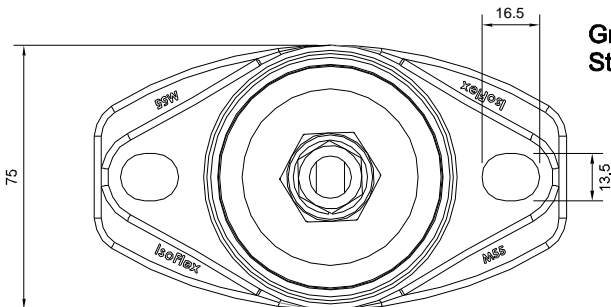
Base: Black - 75 SDH-D

All metal components zinc plated to ASTM B633 SC3



Graph: Static Longitudinal (Thrust) Load[kg] (T-direction) versus Deflection[mm] (ins)

Note: Stated Spring Rate average @ 3mm



M55-12 S General Arrangement

Dimensions in millimetres (mm.) - unless stated otherwise



Model Number: M55-12 S (60) shown

Drawing Number: DST-M55-12 S Rev 1
 Drawn: WF Date: 21 May 2012



IsoFlex Mount Data Sheet

Loadings:

Lateral Thrust (L-direction)

Mount Model: M55-12 S

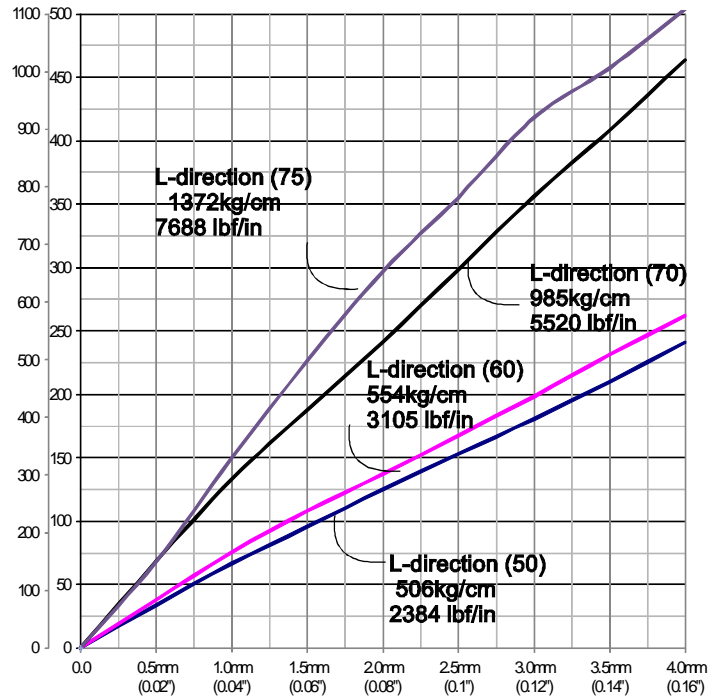
'M55' = model number
 '12' = thread size
 'S' = Stud Adjusting type

Resilient Element Colour	Shore Durometer Hardness A-scale SDH-A
Yellow	50
Red	60
Black	70
Royal Blue	75

Base: Black - 75 SDH-D

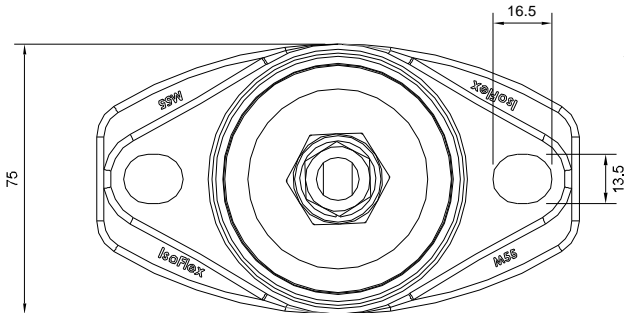
All metal components zinc plated to ASTM B633 SC3

LOAD
 Lbs kg



Graph:
 Static Lateral Load[kg] (L-direction) versus Deflection[mm] (ins)

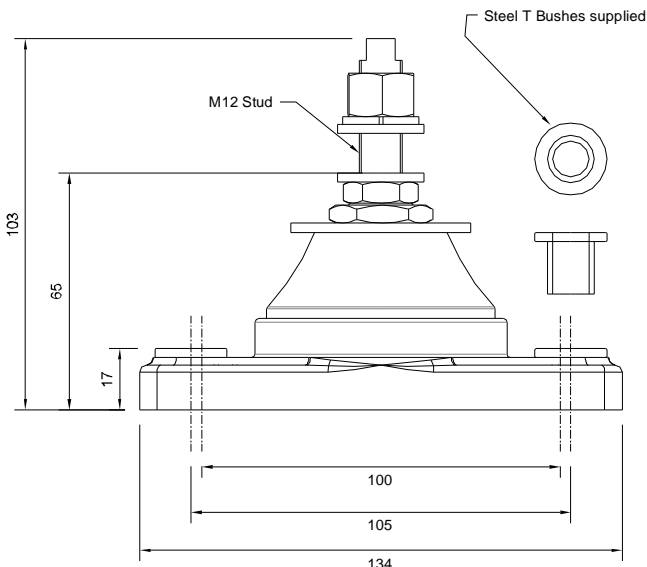
Note: Stated Spring Rate average @ 3mm



Lateral LOAD
 L-direction



Model Number: M55-12 S (60) shown



M55-12 S General Arrangement

Dimensions in millimetres (mm.) - unless stated otherwise

Drawing Number: DSL-M55-12 S
 Drawn: WF Date: 14 June 2012