



IsoFlex Technologies Pty Ltd.

Unit 33, 75 Waterway Drive, Gold Coast Marine Precinct, Coomera, Queensland, Australia. 4209
 Ph: 1300 366 393 Ph: 07 555 60 924 F: 07 555 60 984 Int prefix: 617
 Email: info@isoflex.com.au
 Home Page: www.isoflex.com.au

IsoFlex Mount Data Sheet

Loading:

1. Axial - Vertical Down (A-direction)

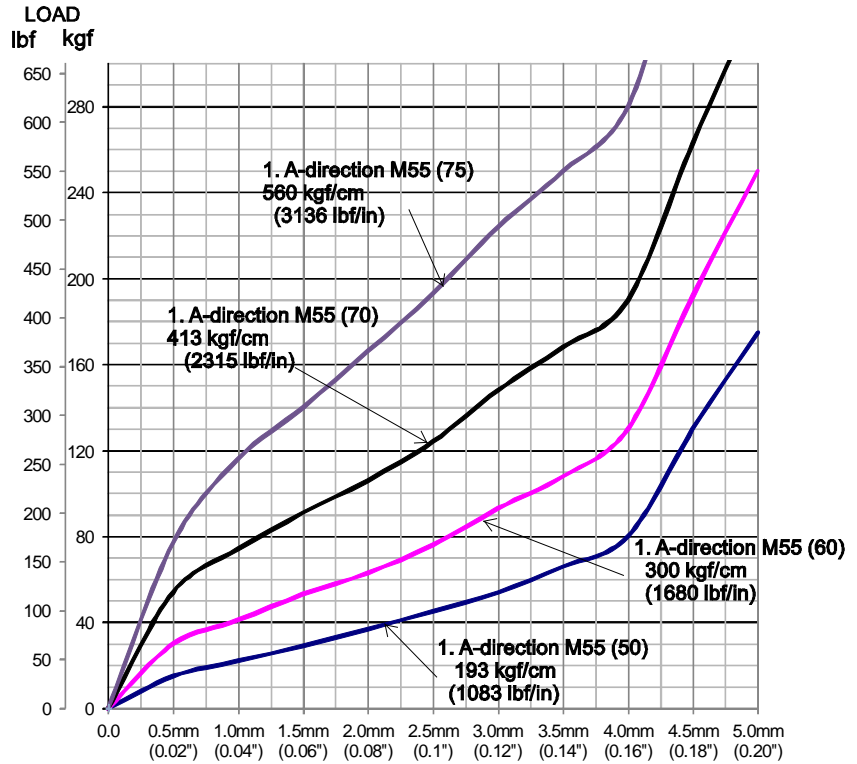
Mount Model: M55-16S

'M55' = model number
 '16' = thread size
 'S' = adjusting stud type

Resilient Element Colour	Shore Durometer Hardness A-scale SDH-A
Yellow	50
Red	60
Black	70
Royal Blue	75

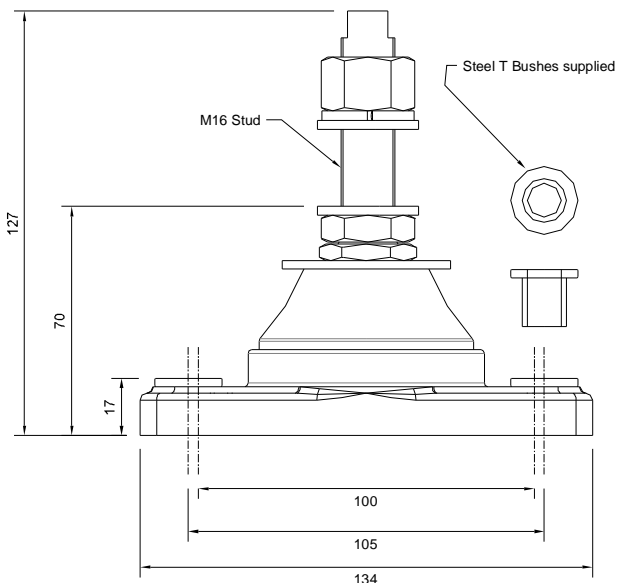
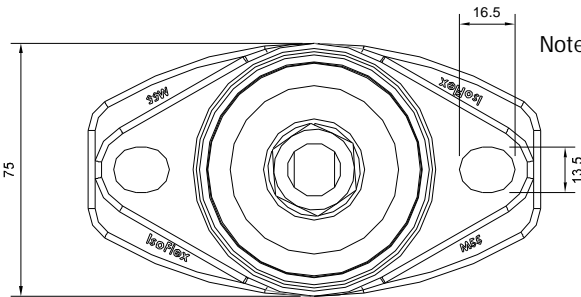
Base: Black - 75 SDH-D

All metal components zinc plated to ASTM B633 Sc3



Graph 1: Static Axial Vertical Load[kg] (A-direction) versus Deflection[mm] (ins)
 Data shown: (x) = SDH-A Hardness kg/cm = Spring Rate

Note: Stated Spring Rate average @ 3mm



M55-16 S General Arrangement

Dimensions in millimetres (mm.) - unless stated otherwise

LOAD
A-direction



Model Number shown: M55-16 S (60)

Drawing Number: DSA-M55-16 S Rev 2

Drawn: WF

Date: 14 Sept 2012



IsoFlex Technologies Pty Ltd.

Unit 33, 75 Waterway Drive, Gold Coast Marine Precinct, Coomera, Queensland, Australia. 4209
 Ph: 1300 366 393 Ph: 07 555 60 924 F: 07 555 60 984 Int prefix: 617
 Email: info@isoflex.com.au
 Home Page: www.isoflex.com.au

IsoFlex Mount Data Sheet

Loadings: Longitudinal Thrust (T-direction)

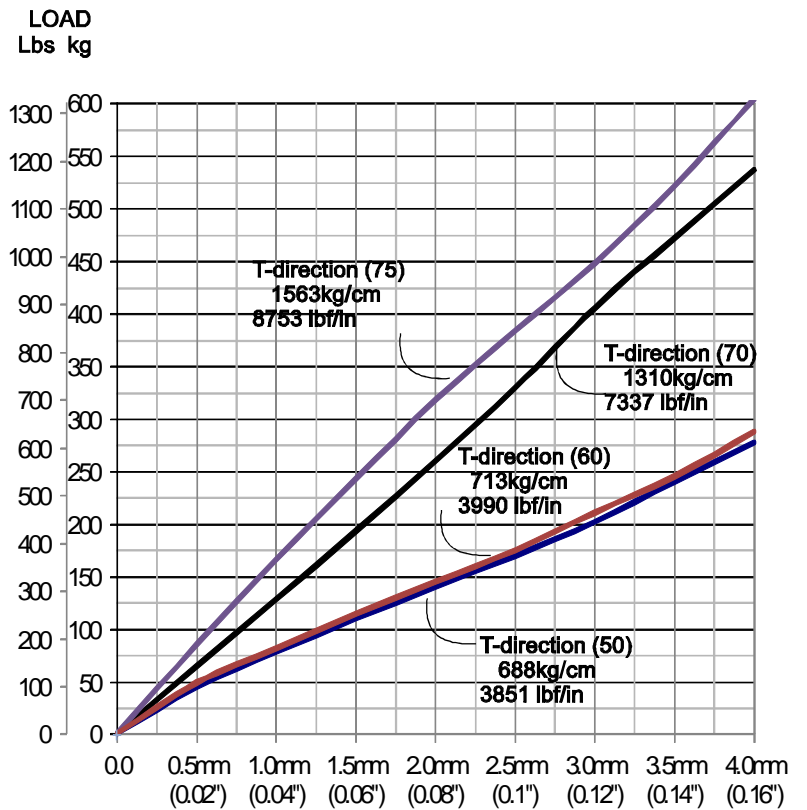
Mount Model: M55-16 S

'M55' = model number
 '16' = thread size
 'S' = Stud Adjusting type

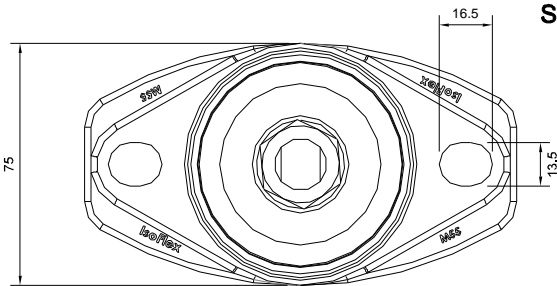
Resilient Element Colour	Shore Durometer Hardness A-scale SDH-A
Yellow	50
Red	60
Black	70
Royal Blue	75

Base: Black - 75 SDH-D

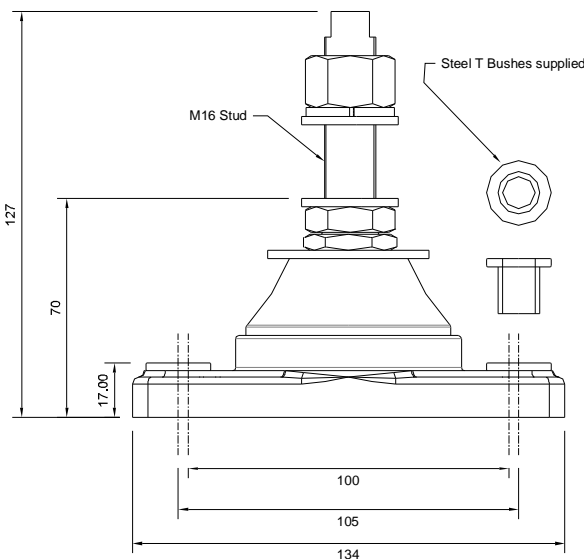
All metal components zinc plated to ASTM B633 SC3



Graph: Static Longitudinal (Thrust) Load[kg] (T-direction) versus Deflection[mm] (ins)



Note: Stated Spring Rate average @ 2mm



Model Number: M55-16 S (60) shown

M55-16 S General Arrangement

Dimensions in millimetres (mm.) - unless stated otherwise

Drawing Number: DST-M55-16 S Rev 1
 Drawn: WF Date: 21 May 2012

Copyright © 2012 IsoFlex Technologies Pty Ltd.

Specifications are subject to change without notice.



IsoFlex Technologies Pty Ltd.

Unit 33, 75 Waterway Drive, Gold Coast Marine Precinct, Coomera, Queensland, Australia. 4209
 Ph: 1300 366 393 Ph: 07 555 60 924 F: 07 555 60 984 Int prefix: 617
 Email: info@isoflex.com.au
 Home Page: www.isoflex.com.au

IsoFlex Mount Data Sheet

Loadings:

Lateral Thrust (L-direction)

Mount Model: M55-16 S

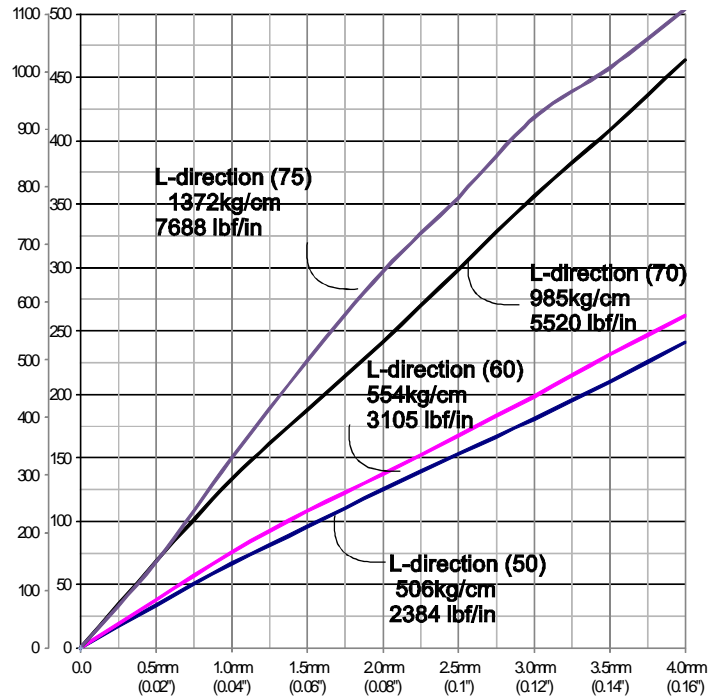
'M50' = model number
 '16' = thread size
 'S' = Stud type

Resilient Element Colour	Shore Durometer Hardness A-scale SDH-A
Yellow	50
Red	60
Black	70
Royal Blue	75

Base: Black - 75 SDH-D

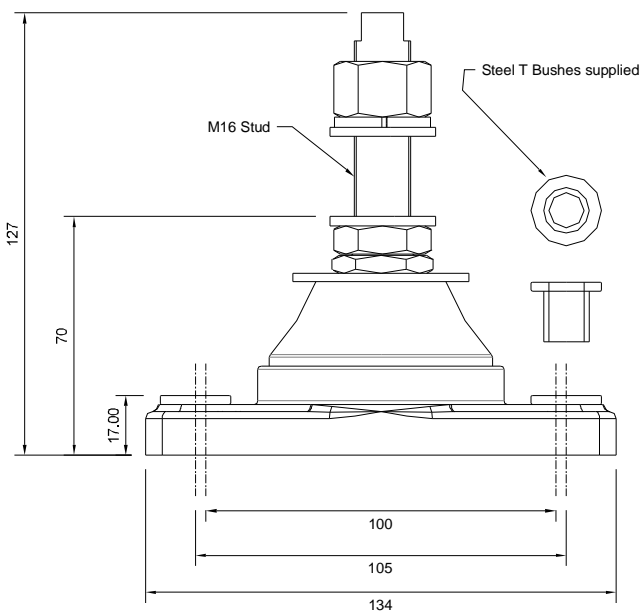
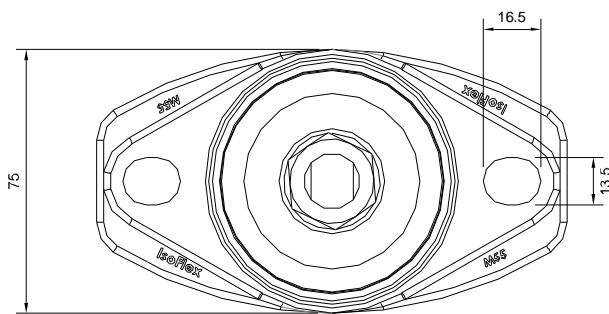
All metal components zinc plated to ASTM B633 SC3

LOAD
Lbs kg



Graph: Static Lateral Load[kg] (L-direction) versus Deflection[mm] (ins)

Note: Stated Spring Rate average @ 3mm



M55-16 S General Arrangement

Dimensions in millimetres (mm.) - unless stated otherwise

Lateral LOAD
L-direction



Model Number: M55-16 S (60) shown

Drawing number: DSL-M55-16 S

Drawn: WF

Date: 14 June 2012

Copyright © 2012

IsoFlex Technologies Pty Ltd.

Specifications are subject to change without notice.