



IsoFlex Mount Data Sheet

Loadings:

- 1. Axial - Vertical Down (A-direction)

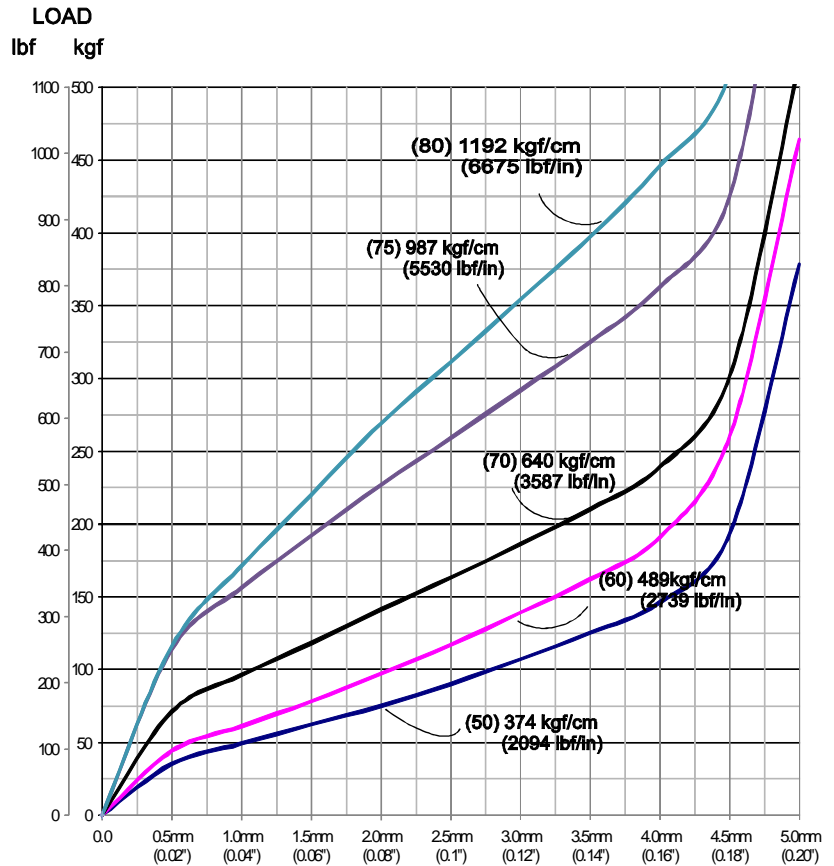
Mount Model: M75-20S

'M75' = model number
 '20' = thread size
 'S' = adjusting stud type

Resilient Element Colour	Shore Durometer Hardness A-scale SDH-A
Yellow	50
Red	60
Black	70
Royal Blue	75
Green	80

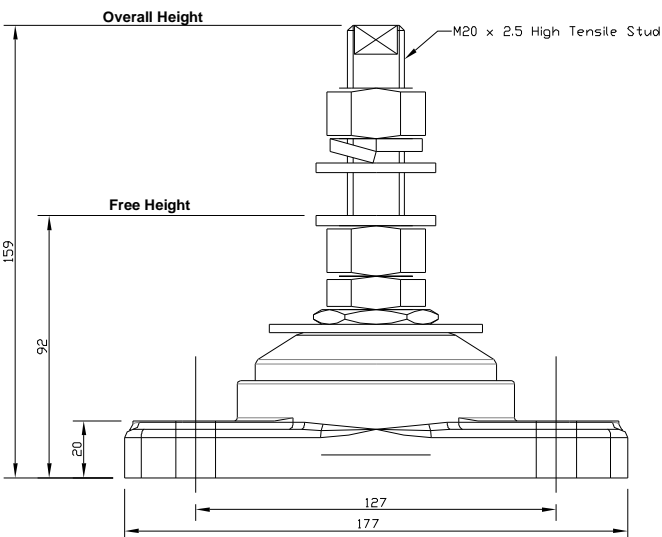
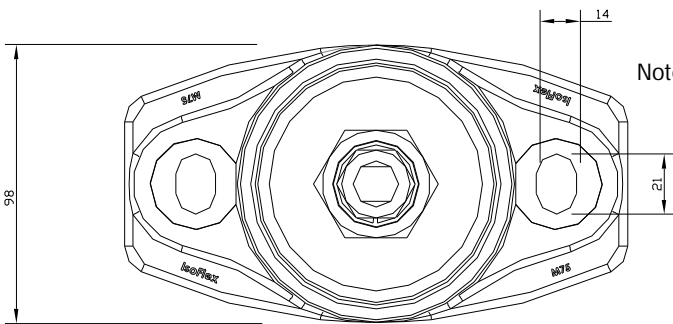
Base: Black - 75 SDH-D

All metal components zinc plated to ASTM B633 SC3

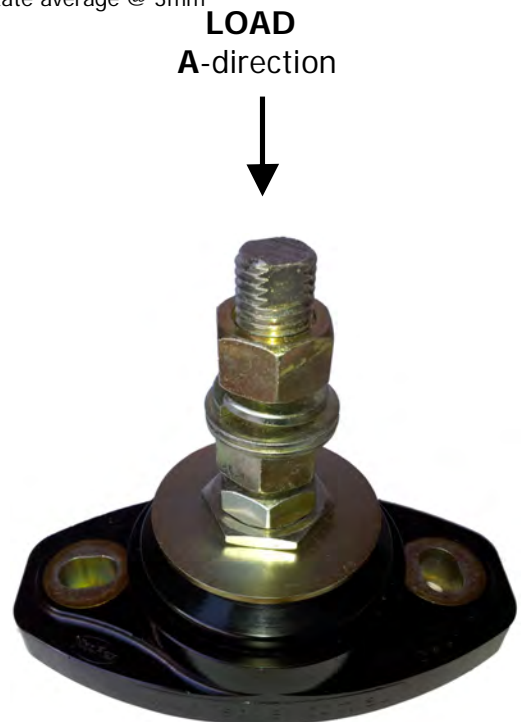


Graph 1: Static Axial Vertical Load[kg] (A-direction) versus Deflection[mm] (ins)
 Data shown: (x) = SDH-A Hardness
 kgf/cm(lbf/in) = Spring Rate

Note: Stated Spring Rate average @ 3mm



M75-20S General Arrangement
 Dimensions in millimetres (mm.) - unless stated otherwise



Drawing Number: DSA-M75-20S Rev4
 Drawn: WF Date: 26 April 2012



IsoFlex Mount Data Sheet

Loadings:

Longitudinal Thrust (T-direction)

Mount Model: M75-20S

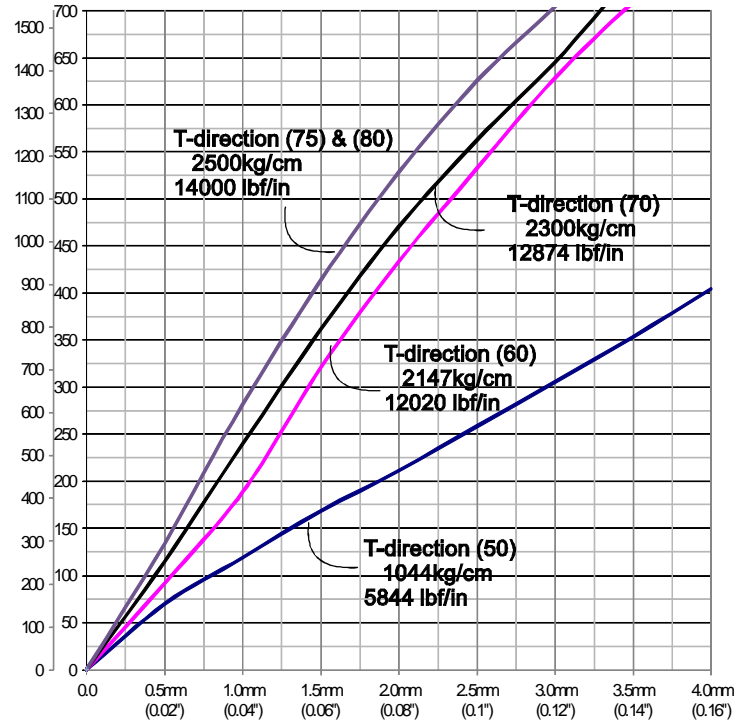
'M75' = model number
 '20' = thread size
 'S' = adjusting stud type

Resilient Element Colour	Shore Durometer Hardness A-scale SDH-A
Yellow	50
Red	60
Black	70
Royal Blue	75
Green	80

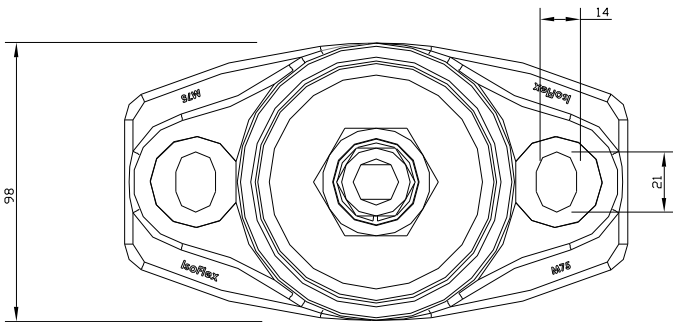
Base: Black - 75 SDH-D

All metal components zinc plated to ASTM B633 SC3

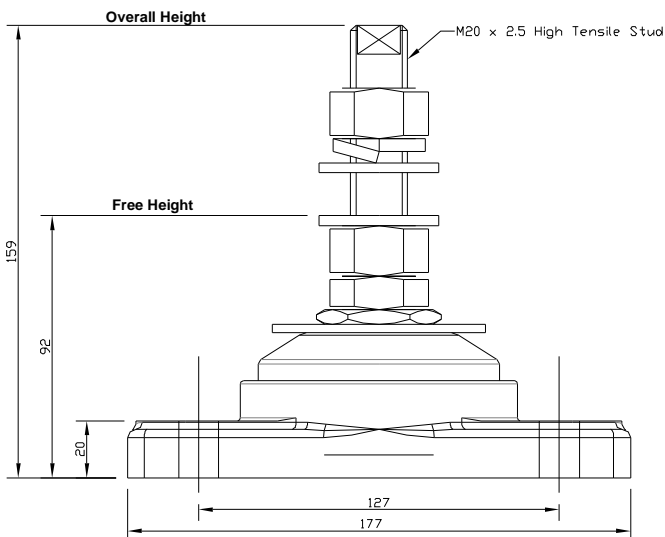
LOAD
Lbs kg



Graph:
Static Longitudinal (Thrust) Load[kg] (T-direction) versus Deflection[mm] (ins)

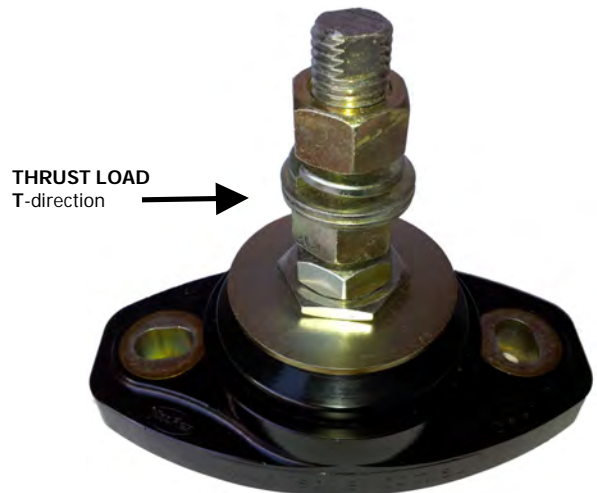


Note: Stated Spring Rate average @ 2mm



M75-20S General Arrangement

Dimensions in millimetres (mm.) - unless stated otherwise



Drawing Number: DST-M75-20S
 Drawn: WF Date: 21 May 2012



IsoFlex Technologies Pty Ltd.

Unit 33, 75 Waterway Drive, Gold Coast Marine Precinct, Coomera, Queensland, Australia. 4209
 Ph: 1300 366 393 Ph: 07 555 60 924 F: 07 555 60 984 Int prefix: 617
 Email: info@isoflex.com.au
 Home Page: www.isoflex.com.au

IsoFlex Mount Data Sheet

Loadings:

Lateral Thrust (L-direction)

Mount Model: M75-20 S

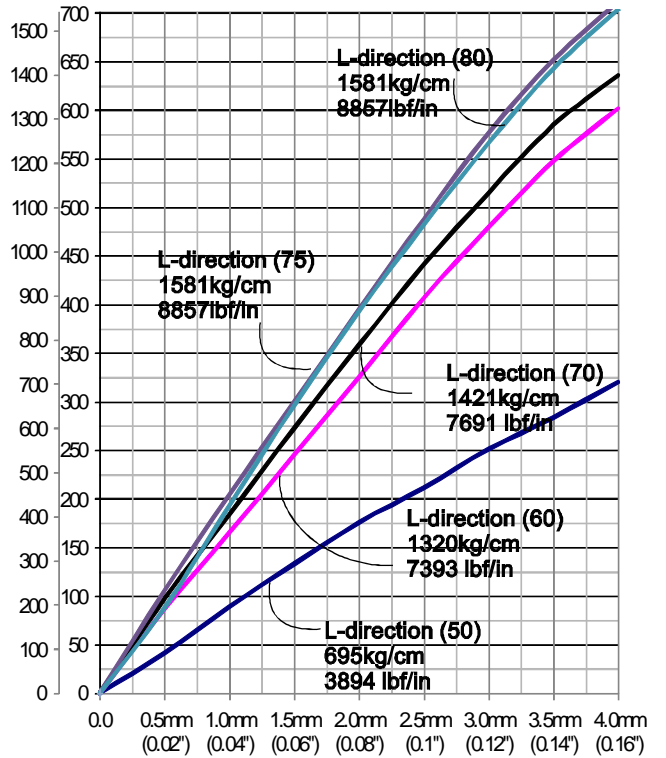
'M75' = model number
 '20' = thread size
 'S' = Stud type

Resilient Element Colour	Shore Durometer Hardness A-scale SDH-A
Yellow	50
Red	60
Black	70
Royal Blue	75

Base: Black - 75 SDH-D

All metal components zinc plated to ASTM B633 SC3

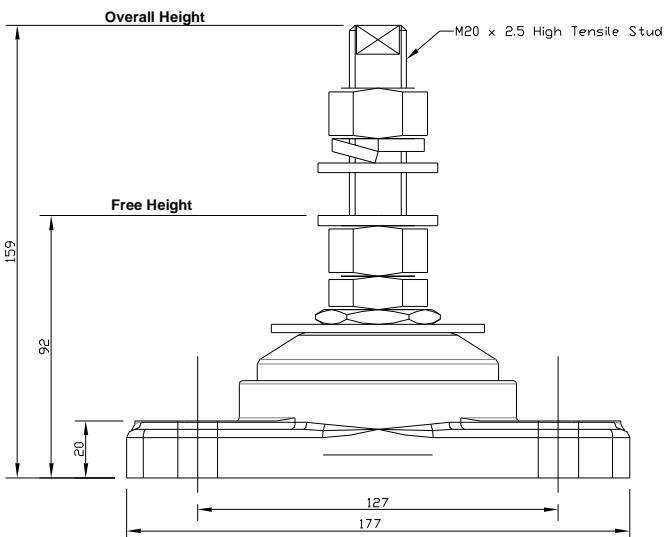
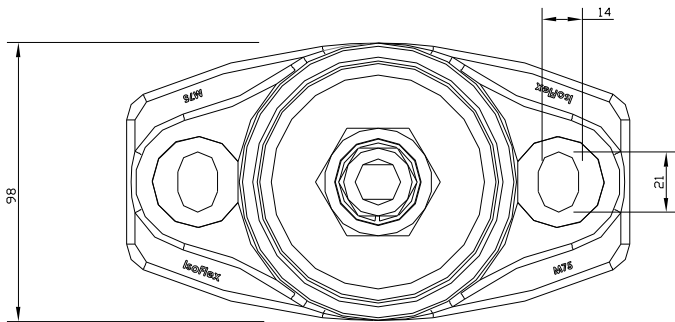
LOAD
Lbs kg



Graph:

Static Lateral Load[kg] (L-direction) versus Deflection[mm] (ins)

Note: Stated Spring Rate average @ 3mm



Dimensions in millimetres (mm.) - unless stated otherwise



Lateral LOAD
L-direction

Drawing Number: DSL-M75-20 S
 Drawn: WF Date: 14 June 2012

Copyright © 2012 IsoFlex Technologies Pty Ltd.

Specifications are subject to change without notice.