



# IsoFlex Technologies Pty Ltd.

Unit 33, 75 Waterway Drive, Gold Coast Marine Precinct, Coomera, Queensland, Australia. 4209  
 Ph: 1300 366 393 Ph: 07 555 60 924 F: 07 555 60 984 Int prefix: 617  
 Email: info@isoflex.com.au  
 Home Page: www.isoflex.com.au

## IsoFlex Mount Data Sheet

### Loadings:

1. Axial - Vertical Down (A-direction)

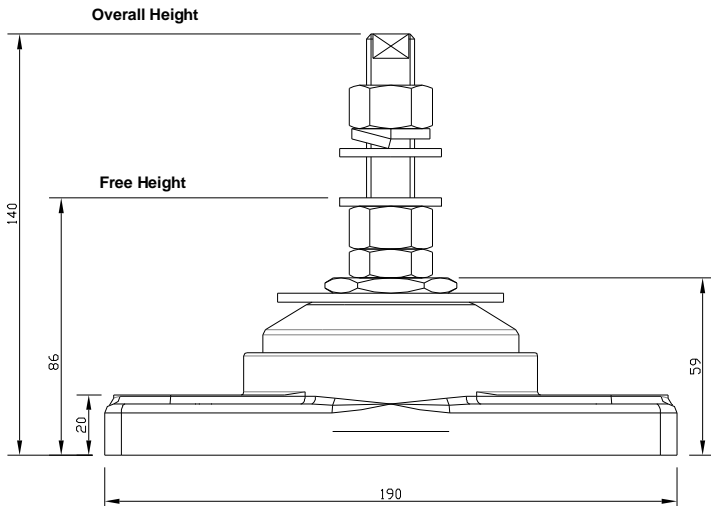
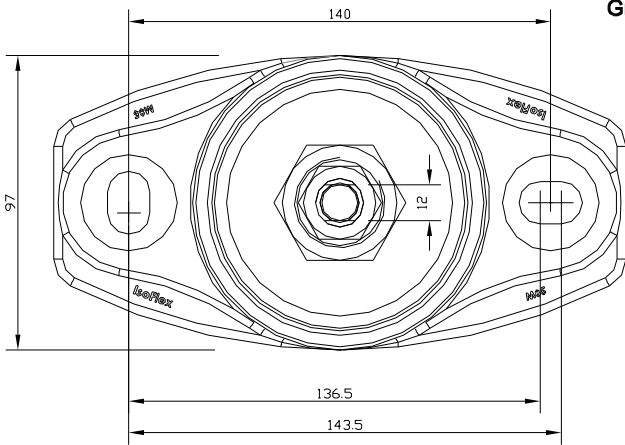
### Mount Model: M85-16S

'M85' = model number  
 '16' = thread size  
 'S' = adjusting stud type

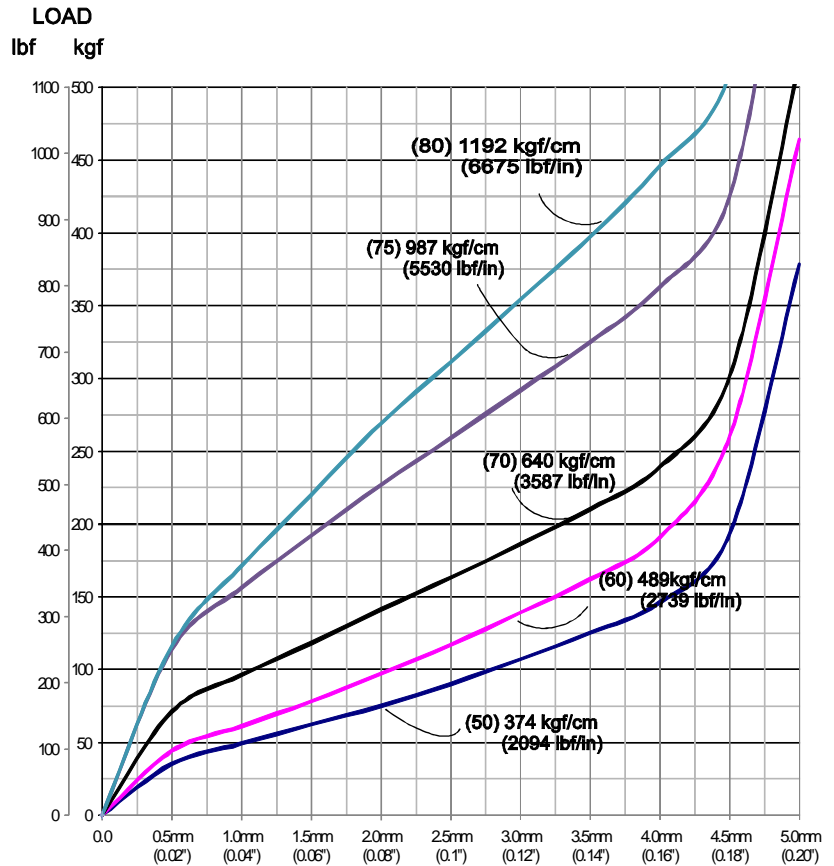
Resilient Element Colour	Shore Durometer Hardness A-scale SDH-A
Yellow	50
Red	60
Black	70
Royal Blue	75
Green	80

Base: Black - 75 SDH-D

All metal components zinc plated to ASTM B633 SC3



Dimensions in millimetres (mm.) - unless stated otherwise



**Graph 1: Static Axial Vertical Load[kg] (A-direction) versus Deflection[mm] (ins)**  
 Data shown: (x) = SDH-A Hardness  
 kgf/cm(lbf/in) = Spring Rate

Note: Stated Spring Rate average @ 3mm



Drawing Number: DSA-M85-16S Rev2  
 Drawn: WF Date: 30 April 2012



# IsoFlex Technologies Pty Ltd.

Unit 33, 75 Waterway Drive, Gold Coast Marine Precinct, Coomera, Queensland, Australia. 4209  
 Ph: 1300 366 393 Ph: 07 555 60 924 F: 07 555 60 984 Int prefix: 617  
 Email: info@isoflex.com.au  
 Home Page: www.isoflex.com.au

## IsoFlex Mount Data Sheet

### Loadings: Longitudinal Thrust (T-direction)

#### Mount Model: M85-16S

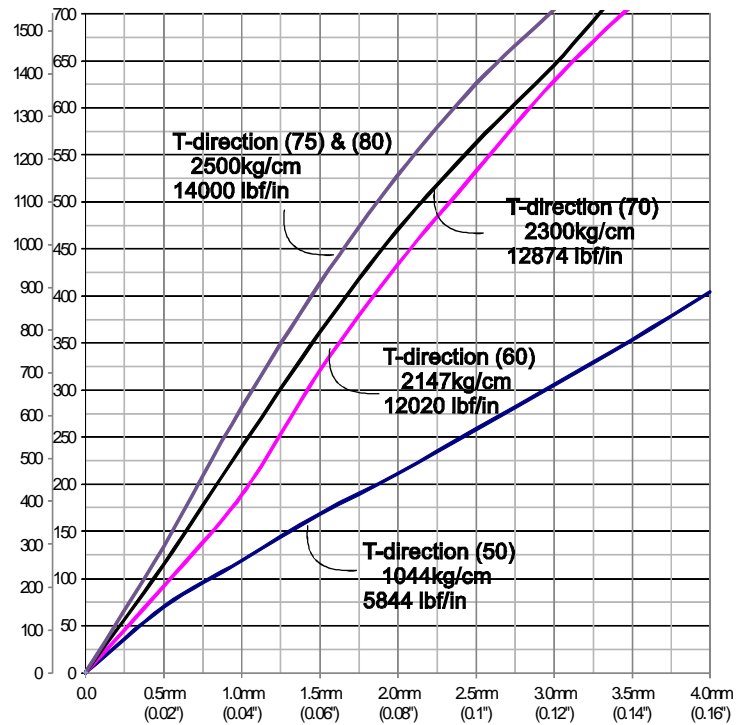
'M85' = model number  
 '16' = thread size  
 'S' = adjusting stud type

Resilient Element Colour	Shore Durometer Hardness A-scale SDH-A
Yellow	50
Red	60
Black	70
Royal Blue	75
Green	80

Base: Black - 75 SDH-D

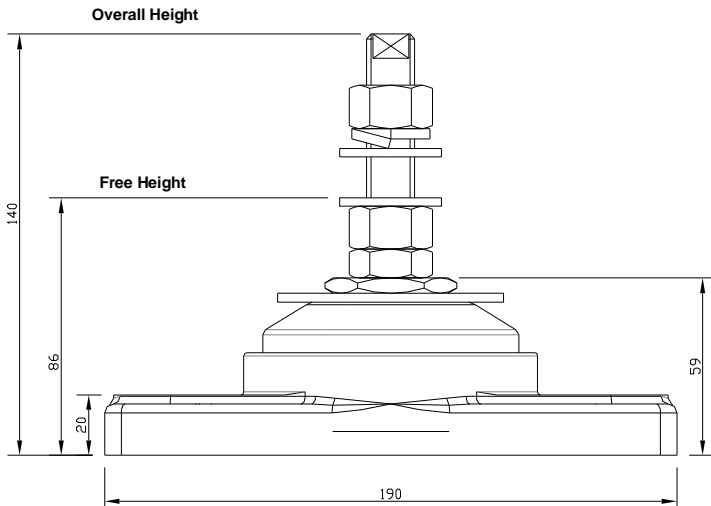
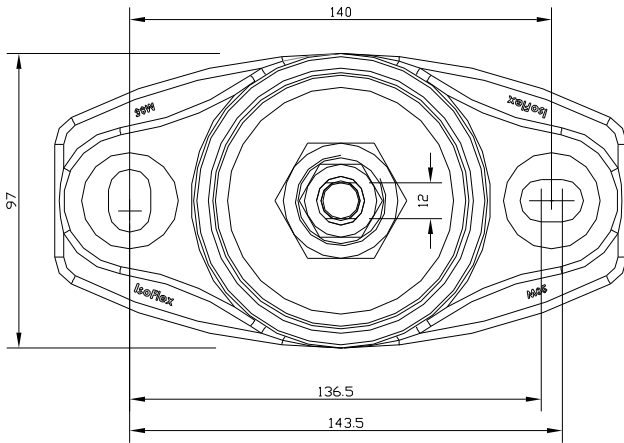
All metal components zinc plated to ASTM B633 SC3

### LOAD Lbs kg



Graph: Static Longitudinal (Thrust) Load[kg] (T-direction) versus Deflection[mm] (ins)

Note: Stated Spring Rate average @ 2mm



Dimensions in millimetres (mm.) - unless stated otherwise

THRUST LOAD  
T-direction



Drawing Number: DST-M85-16S  
 Drawn: WF Date: 21 May 2012

Copyright © 2012 IsoFlex Technologies Pty Ltd.

Specifications are subject to change without notice.



# IsoFlex Technologies Pty Ltd.

Unit 33, 75 Waterway Drive, Gold Coast Marine Precinct, Coomera, Queensland, Australia. 4209  
 Ph: 1300 366 393 Ph: 07 555 60 924 F: 07 555 60 984 Int prefix: 617  
 Email: info@isoflex.com.au  
 Home Page: www.isoflex.com.au

## IsoFlex Mount Data Sheet

### Loadings:

#### Lateral Thrust (L-direction)

#### Mount Model: M85-16 S

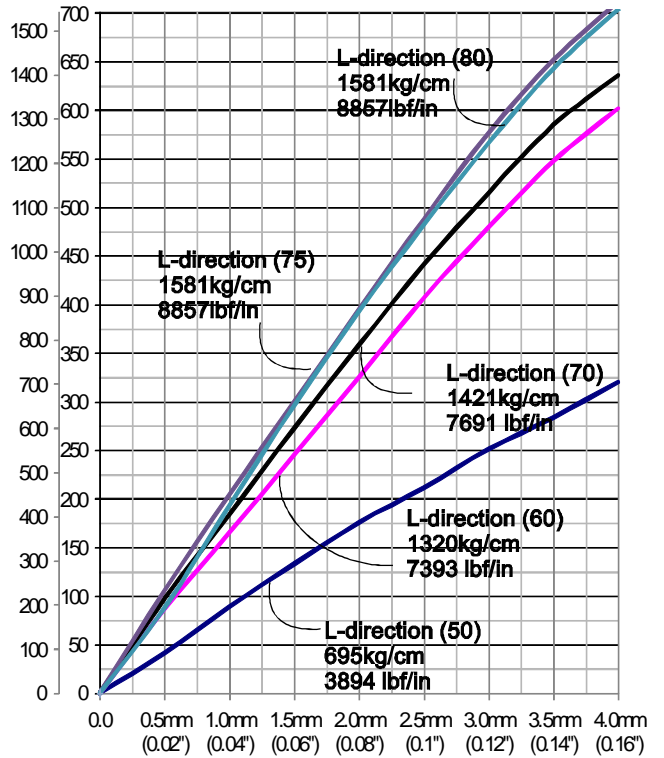
'M85' = model number  
 '16' = thread size  
 'S' = Stud type

Resilient Element Colour	Shore Durometer Hardness A-scale SDH-A
Yellow	50
Red	60
Black	70
Royal Blue	75

Base: Black - 75 SDH-D

All metal components zinc plated to ASTM B633 SC3

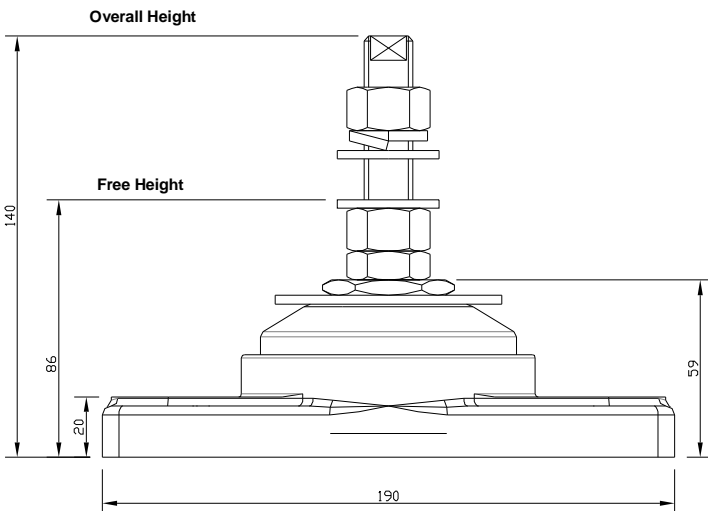
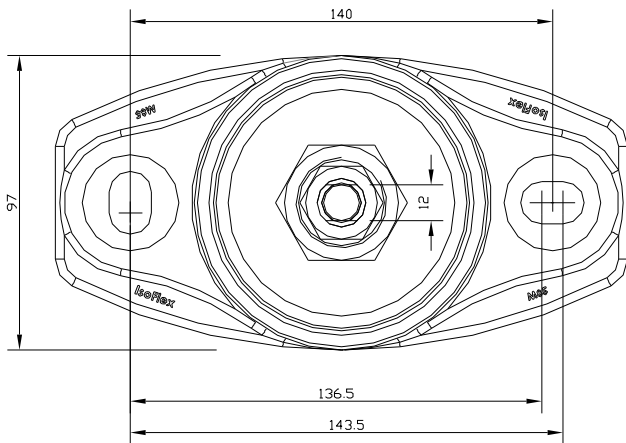
LOAD  
Lbs kg



### Graph:

Static Lateral Load[kg] (L-direction) versus Deflection[mm] (ins)

Note: Stated Spring Rate average @ 3mm



Dimensions in millimetres (mm.) - unless stated otherwise



Drawing Number: DSL-M85-16 S  
 Drawn: WF Date: 14 June 2012

Copyright © 2012 IsoFlex Technologies Pty Ltd.

Specifications are subject to change without notice.