



IsoFlex Technologies Pty Ltd.

Unit 33, 75 Waterway Drive, Gold Coast Marine Precinct, Coomera, Queensland, Australia. 4209
 Ph: 1300 366 393 Ph: 07 555 60 924 F: 07 555 60 984 Int prefix: 617
 Email: info@isoflex.com.au
 Home Page: www.isoflex.com.au

IsoFlex Mount Data Sheet

Loadings:

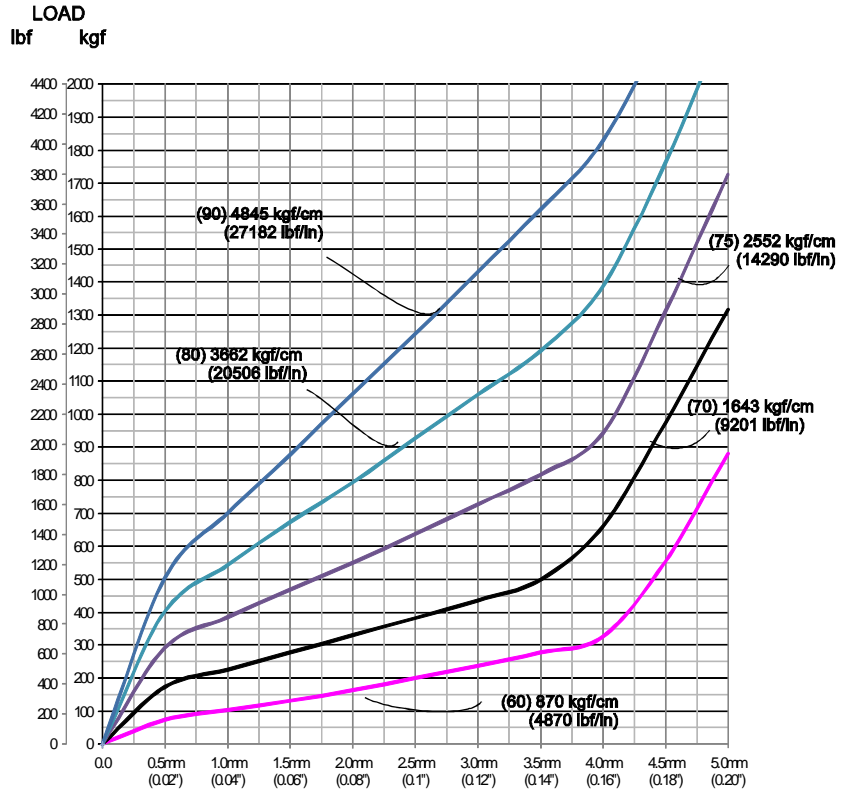
1. Axial - Vertical Down (A-direction)

Mount Model: MD100-24 S

- 'MD100' = model number
- 'D' = double core mount
- '24' = thread size
- 'S' = adjusting stud type

Resilient Element Colour	Shore Durometer Hardness A-scale SDH-A
Yellow	50
Red	60
Black	70
Royal Blue	75
Green	80
Grey	90

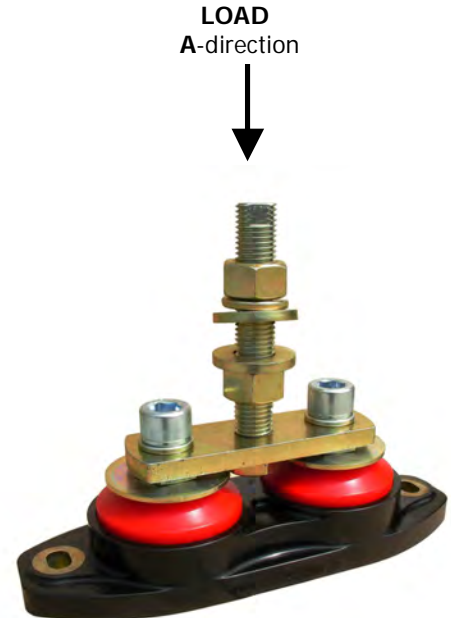
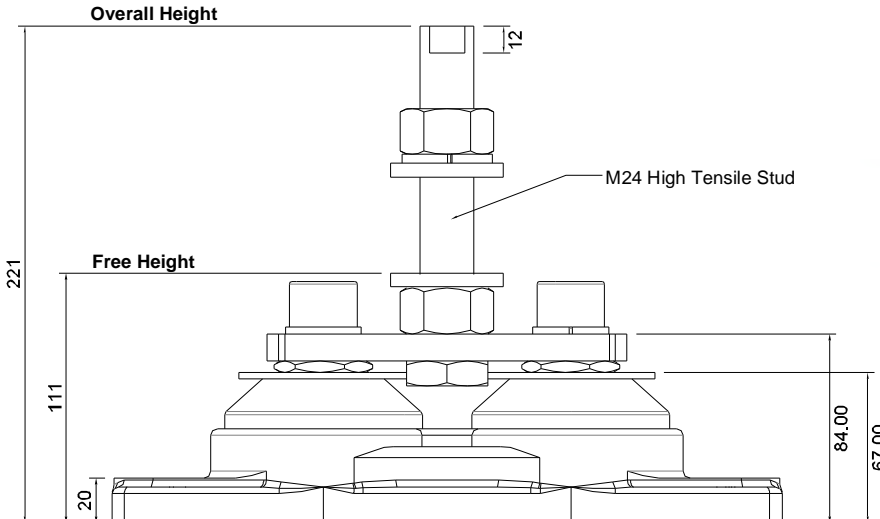
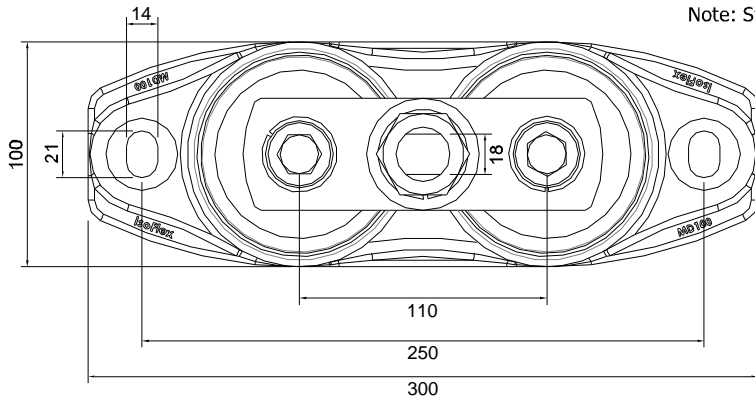
Base: Black - 75 SDH-D



Graph 1: Static Axial Vertical Load[kg] (A-direction) versus Deflection[mm] (ins)
 Data shown: (x) = SDH-A Hardness
 kg/cm = Spring Rate

Note: Stated Spring Rate average @ 3mm

All metal components zinc plated to ASTM B633 SC3



Drawing Number: DSA-MD100-24 S Rev 1
 Drawn: WF Date: 21 Sept 2012

Dimensions in millimetres (mm.) - unless stated otherwise

Copyright © 2012 **IsoFlex Technologies Pty Ltd.**

Specifications are subject to change without notice.



IsoFlex Mount Data Sheet

Loadings:

2. Longitudinal Thrust (T-direction)

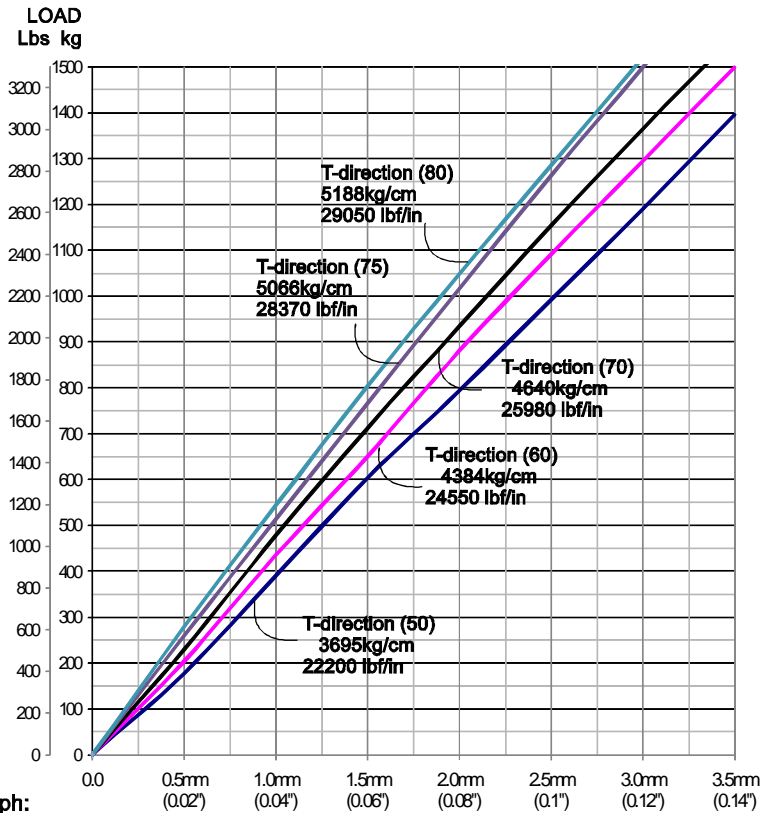
Mount Model: MD100-24 S

'MD100' = model number
 'D' = double core mount
 '24' = thread size
 'S' = adjusting stud type

Resilient Element Colour	Shore Durometer Hardness A-scale SDH-A
Yellow	50
Red	60
Black	70
Royal Blue	75
Green	80
Grey	90

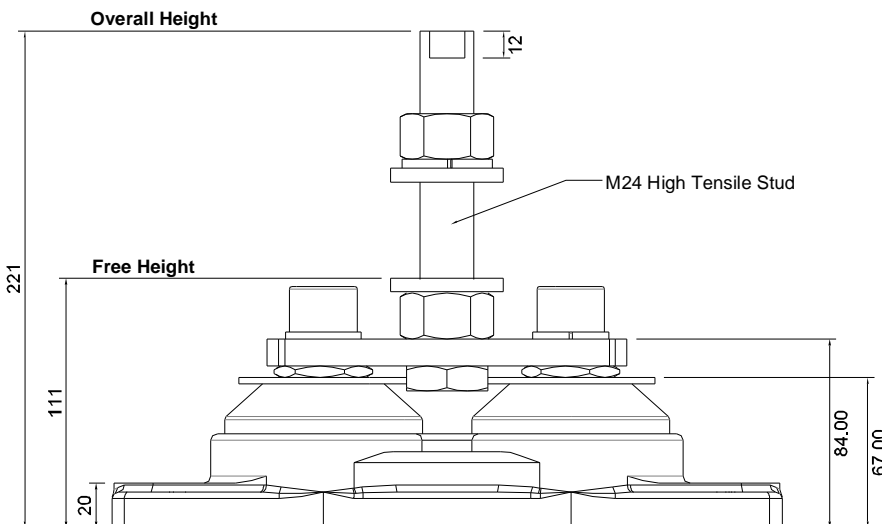
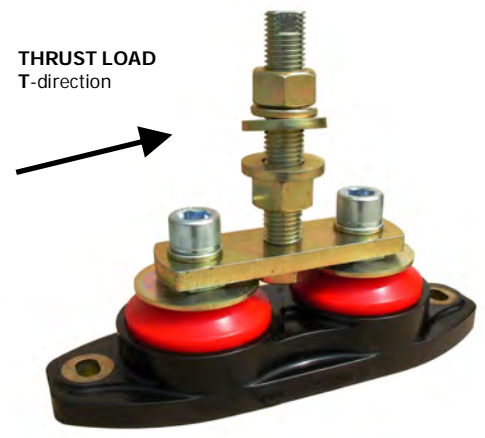
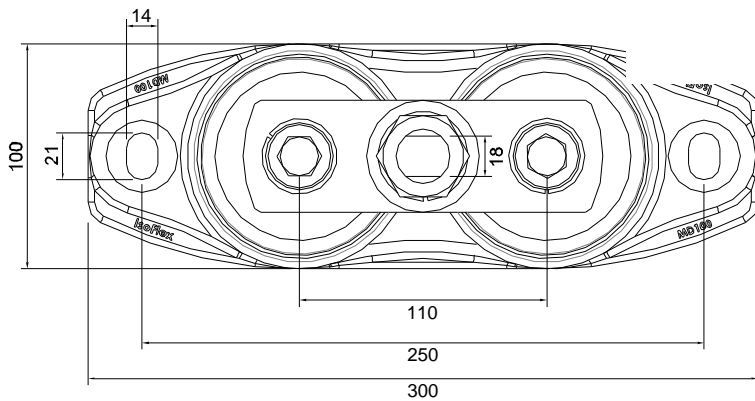
Base: Black - 75 SDH-D

All metal components zinc plated to ASTM B633 SC3



Graph: Static Longitudinal (Thrust) Load [kg] (T-direction) versus Deflection [mm] (ins)

Note: Stated Spring Rate average @ 2mm



Drawing Number: DST-MD100-24 S Rev1
 Drawn: WF Date: 21 sept 2012



IsoFlex Technologies Pty Ltd.

Unit 33, 75 Waterway Drive, Gold Coast Marine Precinct, Coomera, Queensland, Australia. 4209
 Ph: 1300 366 393 Ph: 07 555 60 924 F: 07 555 60 984 Int prefix: 617
 Email: info@isoflex.com.au
 Home Page: www.isoflex.com.au

IsoFlex Mount Data Sheet

Loadings:

Lateral Thrust (L-direction)

Mount Model: MD100-24 S

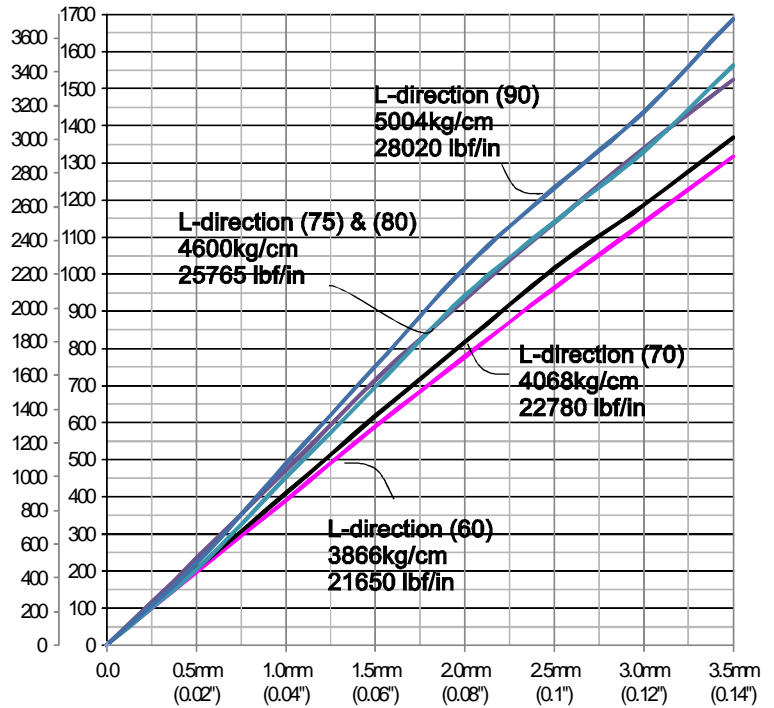
- 'MD100' = model number
- 'D' = double core mount
- '24' = thread size
- 'S' = adjusting stud type

Resilient Element Colour	Shore Durometer Hardness A-scale SDH-A
Yellow	50
Red	60
Black	70
Royal Blue	75
Green	80
Grey	90

Base: Black - 75 SDH-D

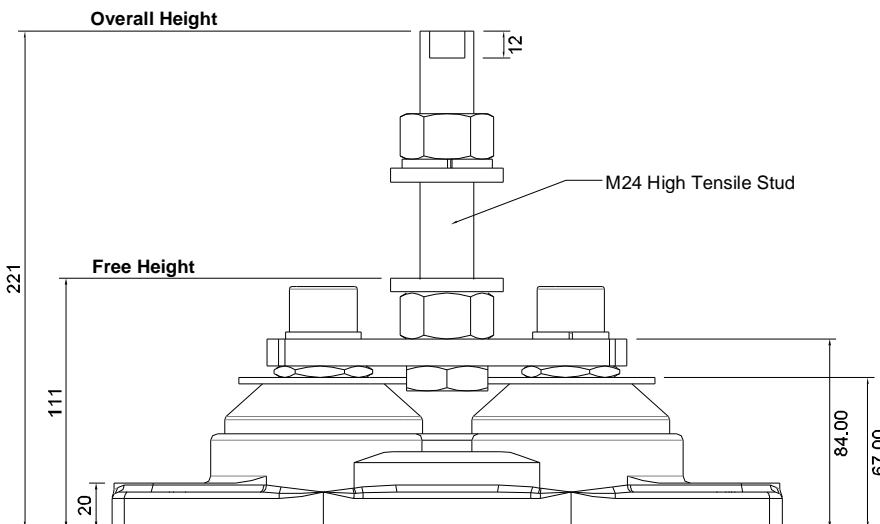
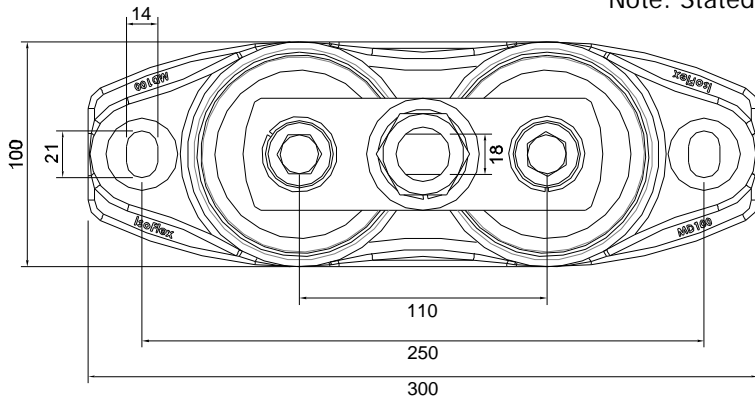
All metal components zinc plated to ASTM B633 SC3

LOAD
Lbs kg



Graph:
Static Lateral Load[kg] (L-direction) versus Deflection[mm] (ins)

Note: Stated Spring Rate average @ 2mm



Lateral LOAD
L-direction

Drawing Number: DSL-MD100-24 S
 Drawn: WF Date: 21 Sept 2012