



IsoFlex Mount Data Sheet

Loading Type:

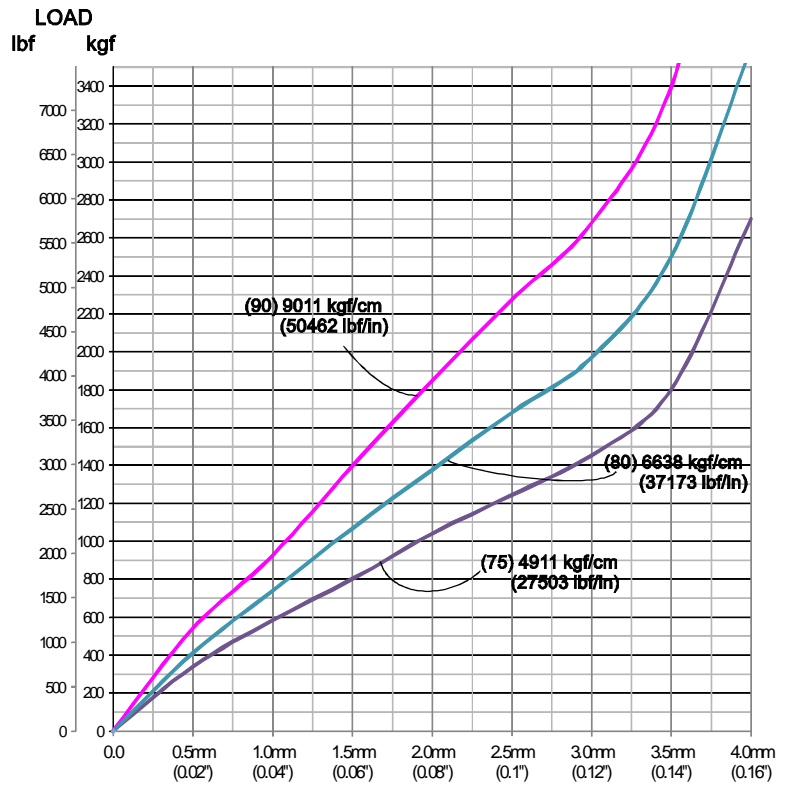
Axial - Vertical Down (A-direction)

Mount Model: MD125XHD-24DS

- 'MD125' = model number
- 'XHD' = Extra Heavy Duty
- 'D' = double core mount
- '24' = thread size
- 'DS' = 2x adjusting stud type

Resilient Element Colour	Shore Durometer Hardness A-scale SDH-A
Yellow	50
Red	60
Black	70
Royal Blue	75
Green	80
Grey	90

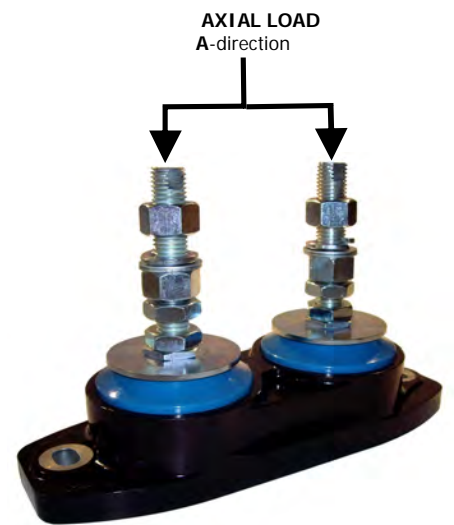
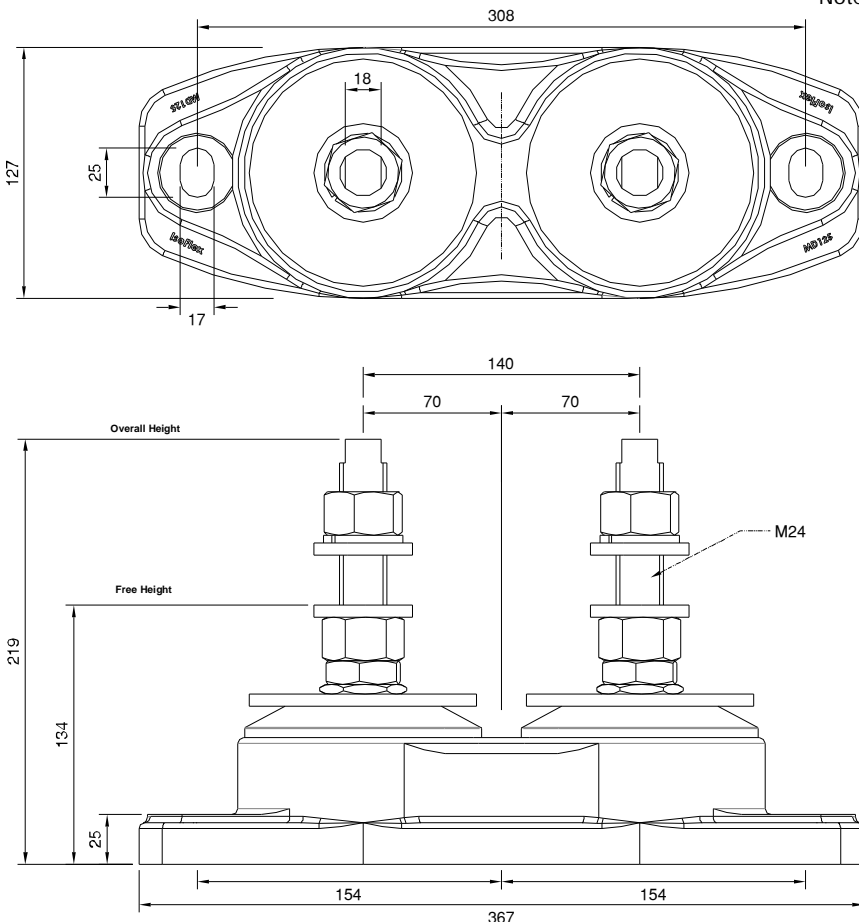
Base: Black - 75 SDH-D



Graph 1: Static Axial Vertical Load[kg] (A-direction) versus Deflection[mm] (ins)
 Data shown: (x) = SDH-A Hardness
 kgf/cm (lbf/in) = Spring Rate for working load range.

All metal components zinc plated to ASTM B633 SC3

Note: Stated Spring Rate average @ 3mm



Dimensions in millimetres (mm.) - unless stated otherwise

Drawing Number: DSA-MD125XHD-24DS Rev5
 Drawn: WF Date: 23 April 2012

Copyright © 2012 **IsoFlex Technologies Pty Ltd.**

Specifications are subject to change without notice.



IsoFlex Technologies Pty Ltd.

Unit 33, 75 Waterway Drive, Gold Coast Marine Precinct, Coomera, Queensland, Australia. 4209
 Ph: 1300 366 393 Ph: 07 555 60 924 F: 07 555 60 984 Int prefix: 617
 Email: info@isoflex.com.au
 Home Page: www.isoflex.com.au

IsoFlex Mount Data Sheet

Loading Type:

Longitudinal Thrust (T-direction)

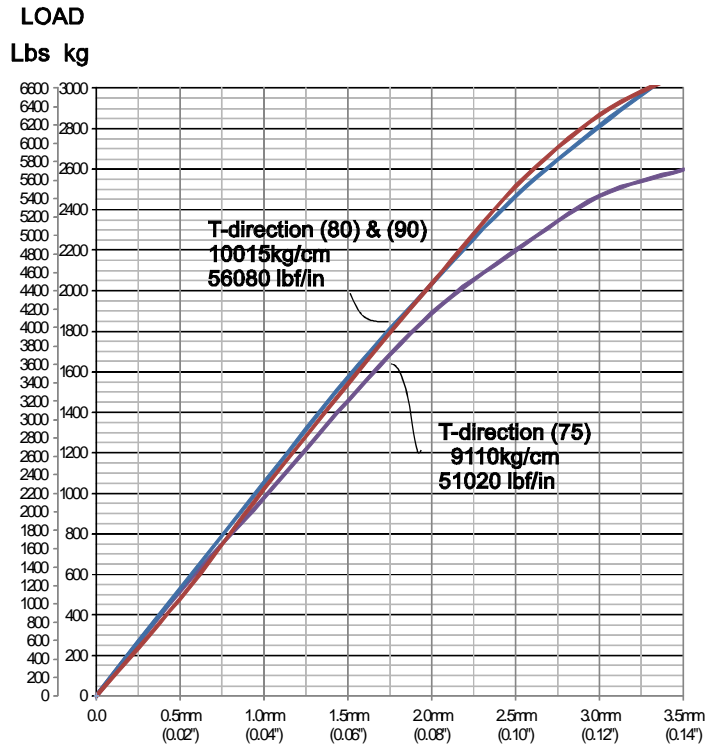
Mount Model: MD125XHD-24DS

'MD125' = model number
 'XHD' = Extra Heavy Duty
 '24' = thread size
 'DS' = Double adjusting stud type

Resilient Element Colour	Shore Durometer Hardness A-scale SDH-A
Yellow	50
Red	60
Black	70
Royal Blue	75
Green	80
Grey	90

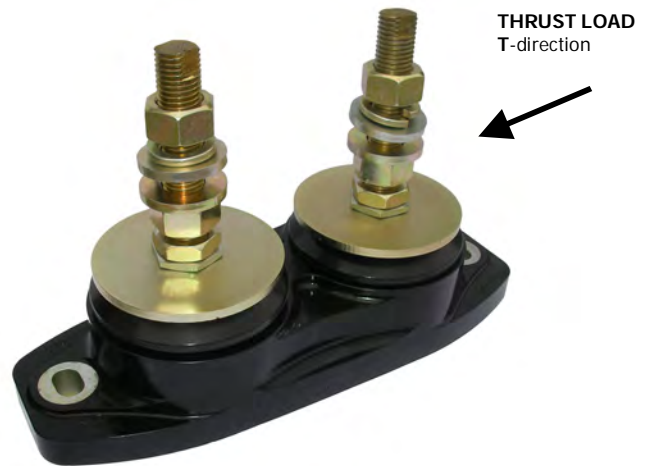
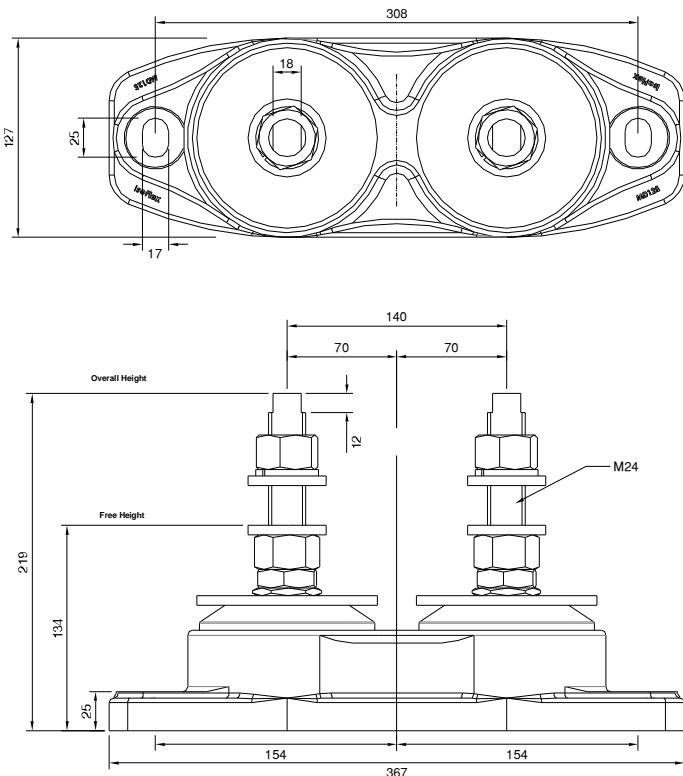
Base: Black - 75 SDH-D

All metal components zinc plated to ASTM B633 SC3



Graph: Static Longitudinal Thrust Load (T-direction) versus Deflection[mm] (ins)

Note: Stated Spring Rate average @ 2mm



Drawing Number: DST-MD125XHD-24 DS
 Drawn: WF Date: 22 June 2012

Copyright © 2012 **IsoFlex Technologies Pty Ltd.**

Specifications are subject to change without notice.

Dimensions in millimetres (mm.) - unless stated otherwise



IsoFlex Technologies Pty Ltd.

Unit 33, 75 Waterway Drive, Gold Coast Marine Precinct, Coomera, Queensland, Australia. 4209
 Ph: 1300 366 393 Ph: 07 555 60 924 F: 07 555 60 984 Int prefix: 617
 Email: info@isoflex.com.au
 Home Page: www.isoflex.com.au

IsoFlex Mount Data Sheet

Loadings:

Lateral Thrust (L-direction)

Mount Model: MD125XHD-24DS

'MD125' = model number

'XHD' = Extra Heavy Duty

'24' = thread size

'DS' = Double adjusting stud type

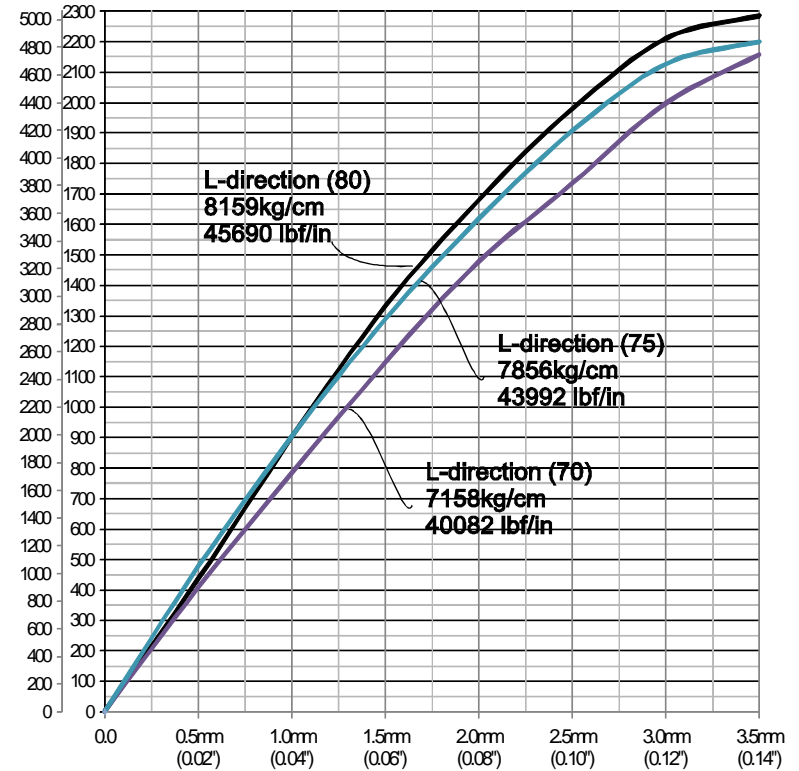
Resilient Element Colour	Shore Durometer Hardness A-scale SDH-A
Yellow	50
Red	60
Black	70
Royal Blue	75
Green	80
Grey	90

Base: Black - 75 SDH-D

All metal components zinc plated to ASTM B633 SC3

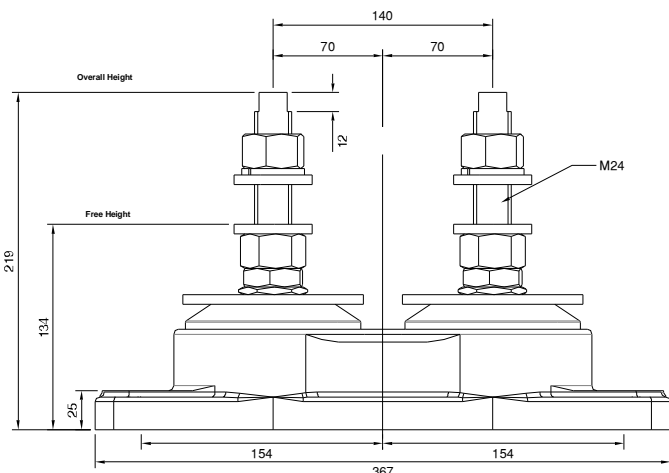
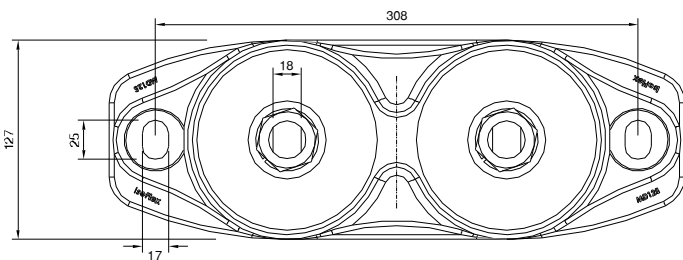
LOAD

Lbs kg



Graph:
 Static Lateral Load[kg] (L-direction) versus Deflection[mm] (ins)

Note: Stated Spring Rate average @ 2mm



**Lateral LOAD
 L-direction**

Drawing Number: DSL-MD125XHD-24 DS
 Drawn: WF Date: 22 June 2012

Copyright © 2012 **IsoFlex Technologies Pty Ltd.**

Specifications are subject to change without notice.