



IsoFlex Technologies Pty Ltd.

Unit 33, 75 Waterway Drive, Gold Coast Marine Precinct, Coomera, Queensland, Australia. 4209
 Ph: 1300 366 393 Ph: 07 555 60 924 F: 07 555 60 984 Int prefix: 617
 Email: info@isoflex.com.au
 Home Page: www.isoflex.com.au

IsoFlex Mount Data Sheet

Loading Type:

Axial - Vertical Down (A-direction)

Mount Model:

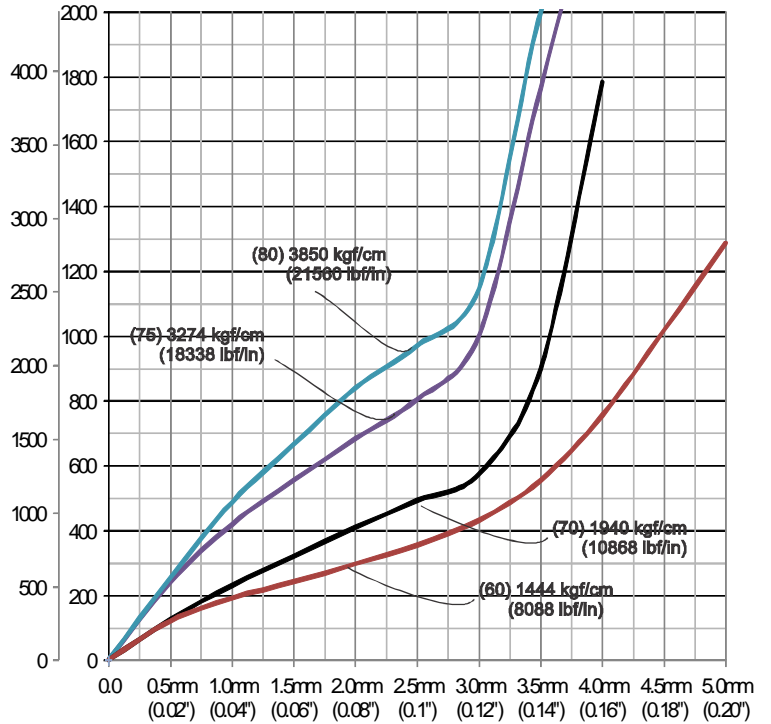
MD128HD-24 DS with AST24

- 'MD128' = model number
- 'HD' = Heavy Duty
- 'MD' = double core mount
- '24' = thread size
- 'DS' = Double Stud type
- 'AST24' = Adjuster Swivel Type 24mm

Resilient Element Colour	Shore Durometer Hardness A-scale SDH-A
Yellow	50
Red	60
Black	70
Royal Blue	75
Green	80
Grey	90

Base: Black - 75 SDH-D

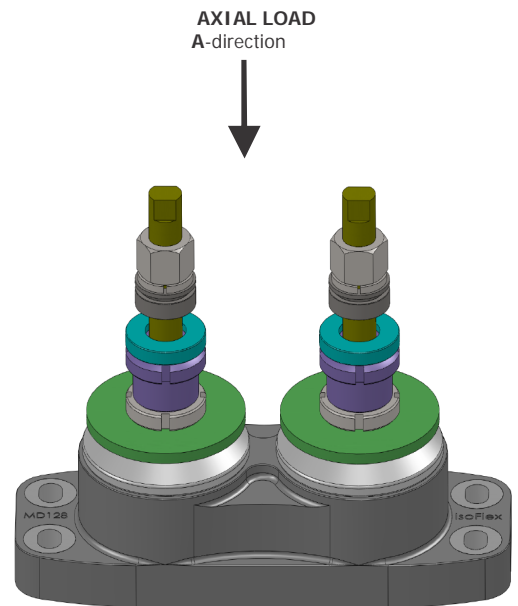
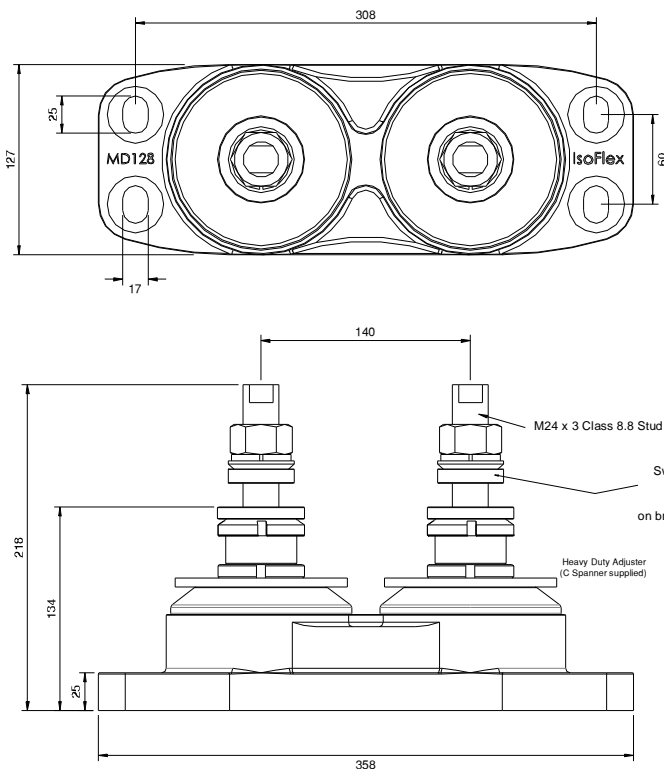
LOAD
lbf kgf



All metal components zinc plated to ASTM B633 SC3

Graph 1: Static Axial Vertical Load [kg] (A-direction) versus Deflection [mm] (ins)
 Data shown: (x) = SDH-A Hardness
 kg/cm = Spring Rate

Note: Stated Spring Rate average @ 3mm



Drawing No.: **DSA MD128HD-24 DS with AST24**
 Drawn: WF Date: **09 December 2015**



IsoFlex Technologies Pty Ltd.

Unit 33, 75 Waterway Drive, Gold Coast Marine Precinct, Coomera, Queensland, Australia. 4209
 Ph: 1300 366 393 Ph: 07 555 60 924 F: 07 555 60 984 Int prefix: 617
 Email: info@isoflex.com.au
 Home Page: www.isoflex.com.au

IsoFlex Mount Data Sheet

Loading Type:

Longitudinal Thrust (T-direction)

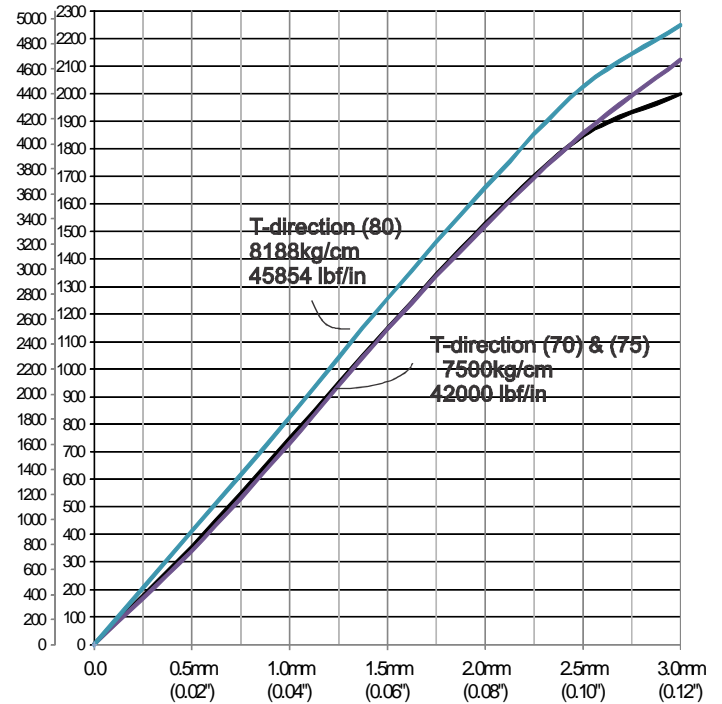
Mount Model:

MD128HD-24 DS with AST24

- 'MD128' = model number
- 'HD' = Heavy Duty
- 'MD' = double core mount
- '24' = thread size
- 'DS' = Double Stud type
- 'AST24' = Adjuster Swivel Type 24mm

Resilient Element Colour	Shore Durometer Hardness A-scale SDH-A
Yellow	50
Red	60
Black	70
Royal Blue	75
Green	80
Grey	90
Base: Black - 75 SDH-D	

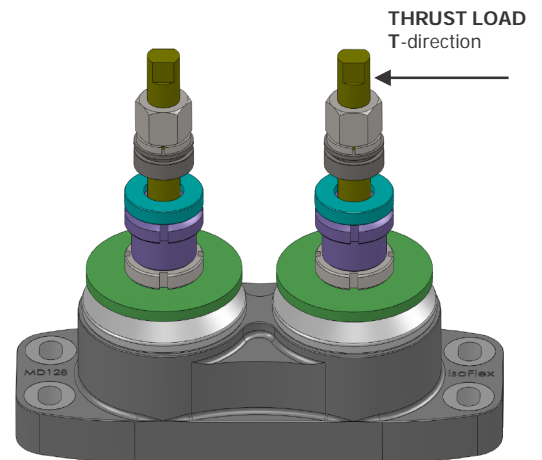
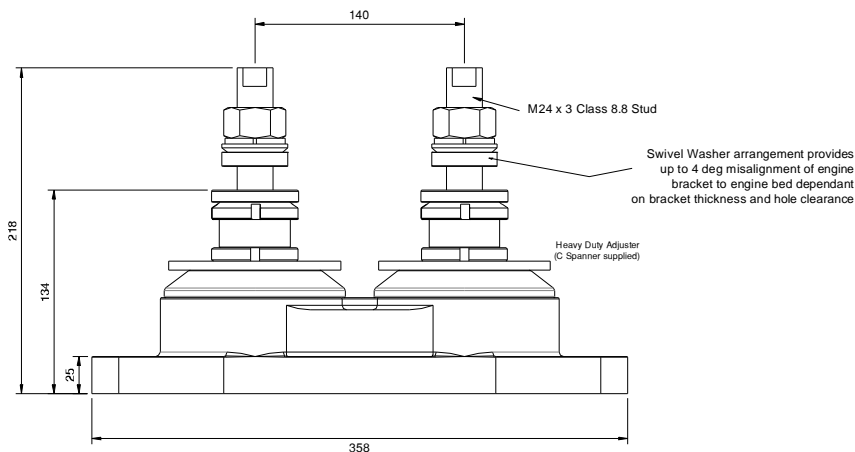
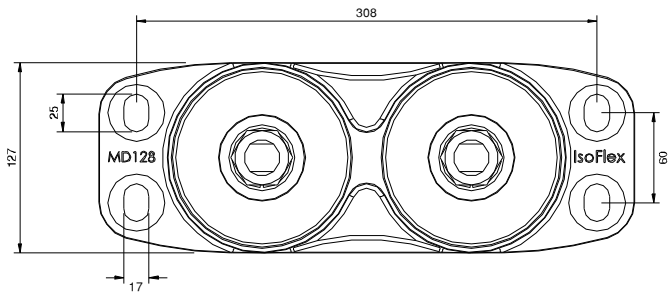
LOAD
Lbs kg



Graph: Static Longitudinal Thrust Load (T-direction) versus Deflection[mm] (ins)

Note: Stated Spring Rate average @ 2mm

All metal components zinc plated to ASTM B633 SC3



Drawing No.: **DST MD128HD-24 DS with AST24**
 Drawn: WF Date: **09 December 2015**

Copyright © 201 **IsoFlex Technologies Pty Ltd.**

Specifications are subject to change without notice.



IsoFlex Technologies Pty Ltd.

Unit 33, 75 Waterway Drive, Gold Coast Marine Precinct, Coomera, Queensland, Australia. 4209
 Ph: 1300 366 393 Ph: 07 555 60 924 F: 07 555 60 984 Int prefix: 617
 Email: info@isoflex.com.au
 Home Page: www.isoflex.com.au

IsoFlex Mount Data Sheet

Loadings:

Lateral Thrust (L-direction)

Mount Model:

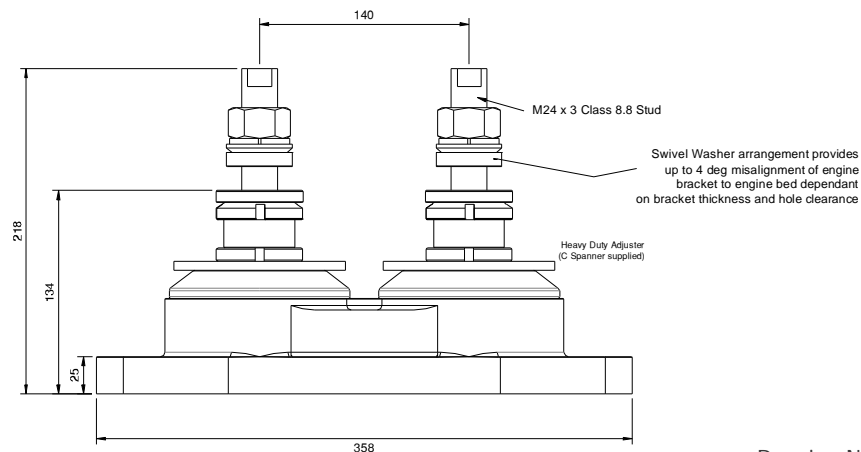
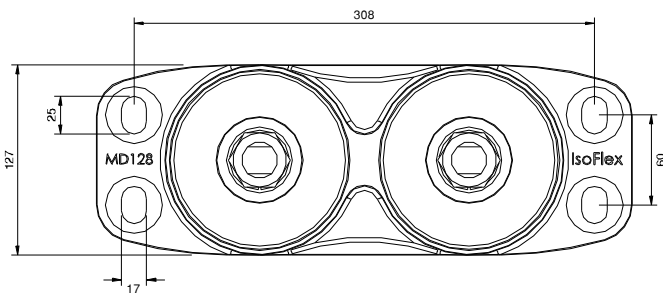
MD128HD-24 DS with AST24

- 'MD128' = model number
- 'HD' = Heavy Duty
- 'MD' = double core mount
- '24' = thread size
- 'DS' = Double Stud type
- 'AST24' = Adjuster Swivel Type 24mm

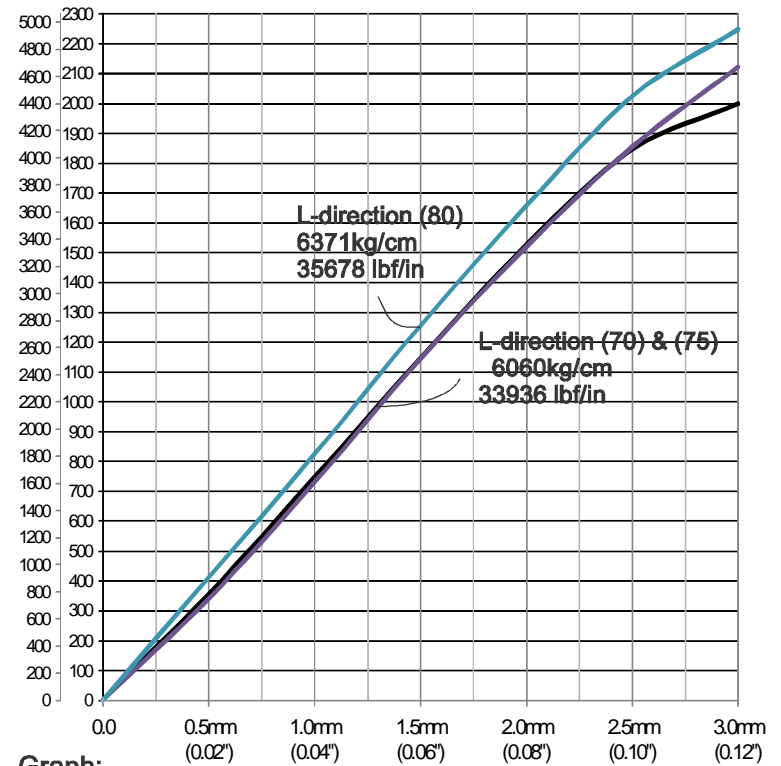
Resilient Element Colour	Shore Durometer Hardness A-scale SDH-A
Yellow	50
Red	60
Black	70
Royal Blue	75
Green	80
Grey	90

Base: Black - 75 SDH-D

All metal components zinc plated to ASTM B633 SC3

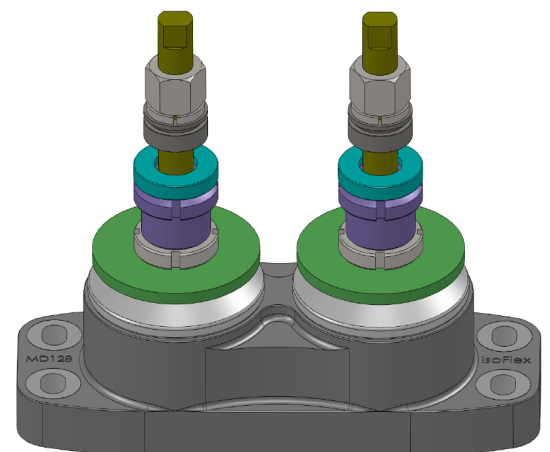


LOAD Lbs kg



Graph:
Static Lateral Load[kg] (L-direction) versus Deflection[mm] (ins)

Note: Stated Spring Rate average @ 2mm



Lateral LOAD
L-direction

Drawing No.: DSL MD128HD-24 DS with AST24
 Drawn: WF Date: 09 December 2015

Copyright © 2015 IsoFlex Technologies Pty Ltd.

Specifications are subject to change without notice.