



# IsoFlex Technologies Pty Ltd.

Unit 33, 75 Waterway Drive, Gold Coast Marine Precinct, Coomera, Queensland, Australia. 4209  
 Ph: 1300 366 393 Ph: 07 555 60 924 F: 07 555 60 984 Int prefix: 617  
 Email: info@isoflex.com.au  
 Home Page: www.isoflex.com.au

## IsoFlex Mount Data Sheet

### Loading Type:

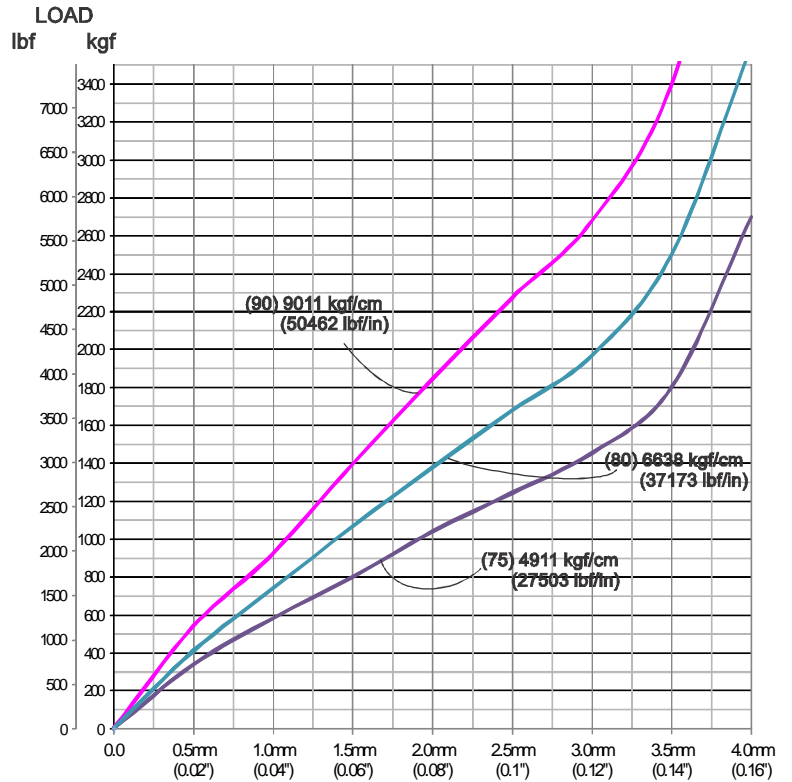
**Axial - Vertical Down (A-direction)**

**Mount Model: DSA-MD128-SS XHD**

'MD128' = model number  
 'XHD' = Extra Heavy Duty  
 'D' = double core mount  
 'SS' = Superstructure Type type

Resilient Element Colour	Shore Durometer Hardness A-scale SDH-A
Yellow	50
Red	60
Black	70
Royal Blue	75
Green	80
Grey	90

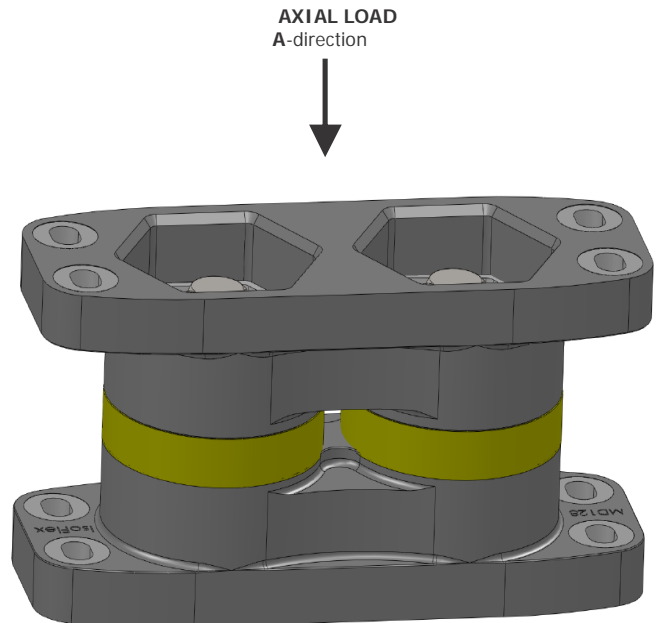
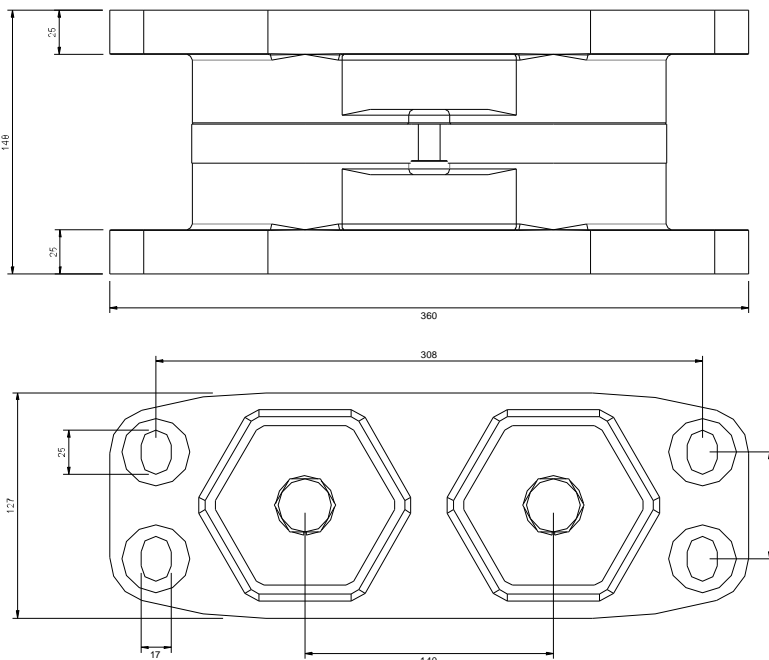
**Base:** Black - 75 SDH-D



**Graph 1: Static Axial Vertical Load[kg] (A-direction) versus Deflection[mm] (ins)**  
 Data shown: (x) = SDH-A Hardness  
 kgf/cm (lbf/in) = Spring Rate for working load range.

Note: Stated Spring Rate average @ 3mm

All metal components zinc plated to ASTM B633 SC3



Drawing No.: DSA-MD128-SS XHD  
 Drawn: WF Date: 05 May 2015

Dimensions in millimetres (mm.) - unless stated otherwise

Copyright © 2015 **IsoFlex Technologies Pty Ltd.**

Specifications are subject to change without notice.