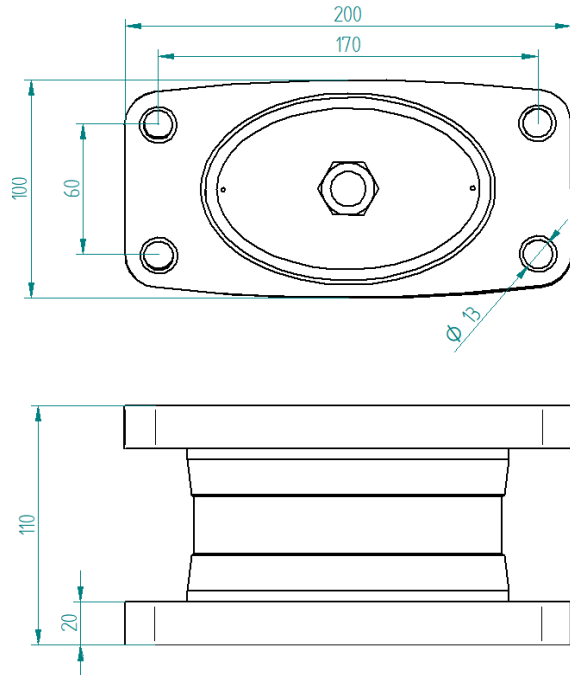


## ISO FLEX MOUNT DATA SHEET

### MSS-10



### IDENTIFICATION:

MSS-10 Model Number

#### Resilient Element Color

YEL	Yellow
RED	Red
BLK	Black
DBL	Dark Blue

Other duro available on request

**Base:** Black - 75 SDH-D

Metal components a combination of marine alloy, stainless steel and components zinc plated to ASTM B633 Type II SC3

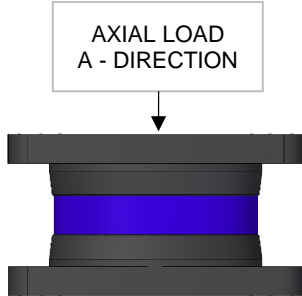
### DIMENSIONS:

	Metric (mm)	Imperial (in)
Overall height	110	4.33
Overall length	200	7.87
Overall width	100	3.94
Base bolt centres length	170	6.69
Base bolt centres width	60	2.36
Base bolt size	M12	1/2
Base thickness	20	0.79

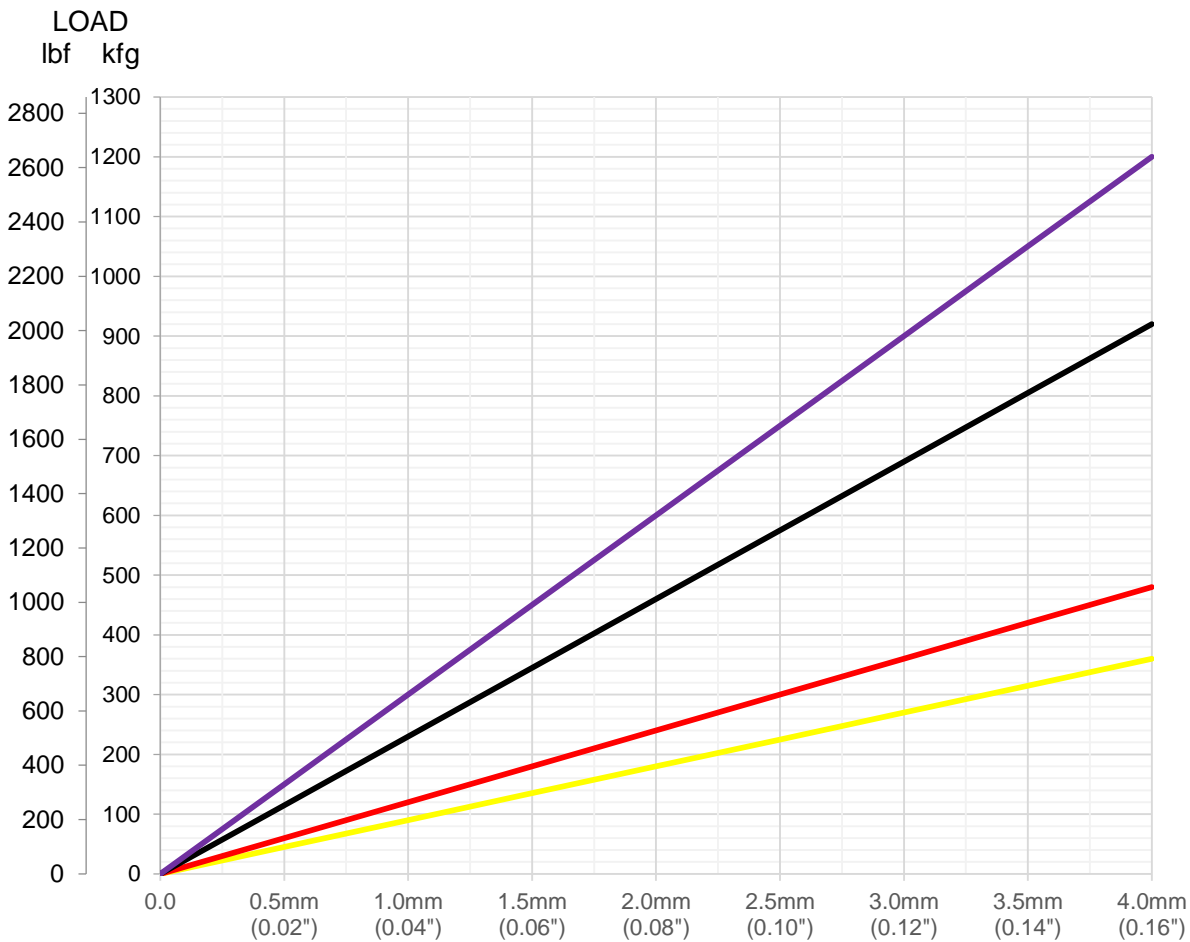
# ISOFLEX MOUNT DATA SHEET

## MSS-10

### Loading Type: Axial - Vertical Down (A-direction)



Resilient Element Colour	Axial Spring Rate @ 2mm	
	kg/cm	lb/in
Yellow	900	5040
Red	1200	6720
Black	2300	12880
Dark Blue	3000	16800



**Graph: Static Axial Vertical Load [kg] (lb) versus Deflection [mm] (in)**

Note: Stated spring rate average taken @ 2mm compression