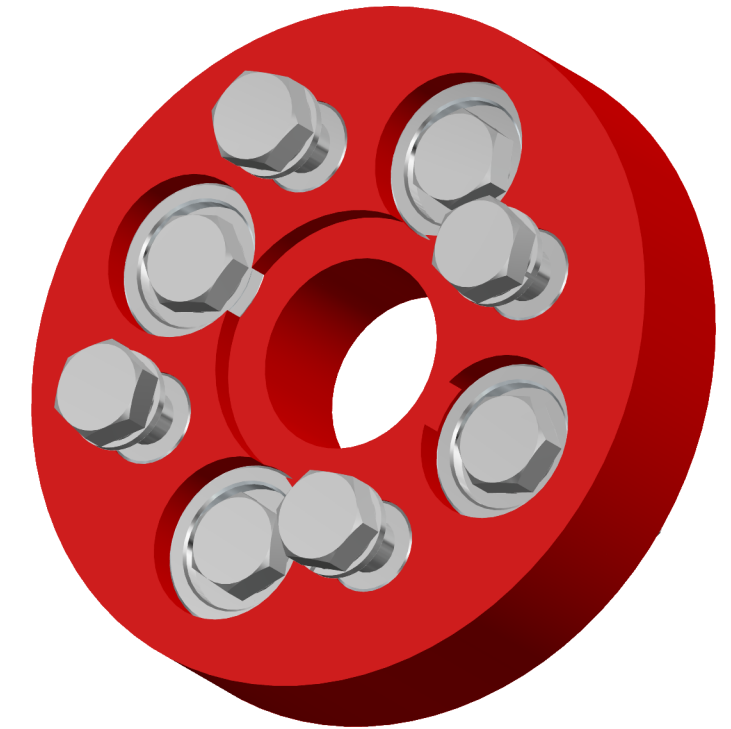
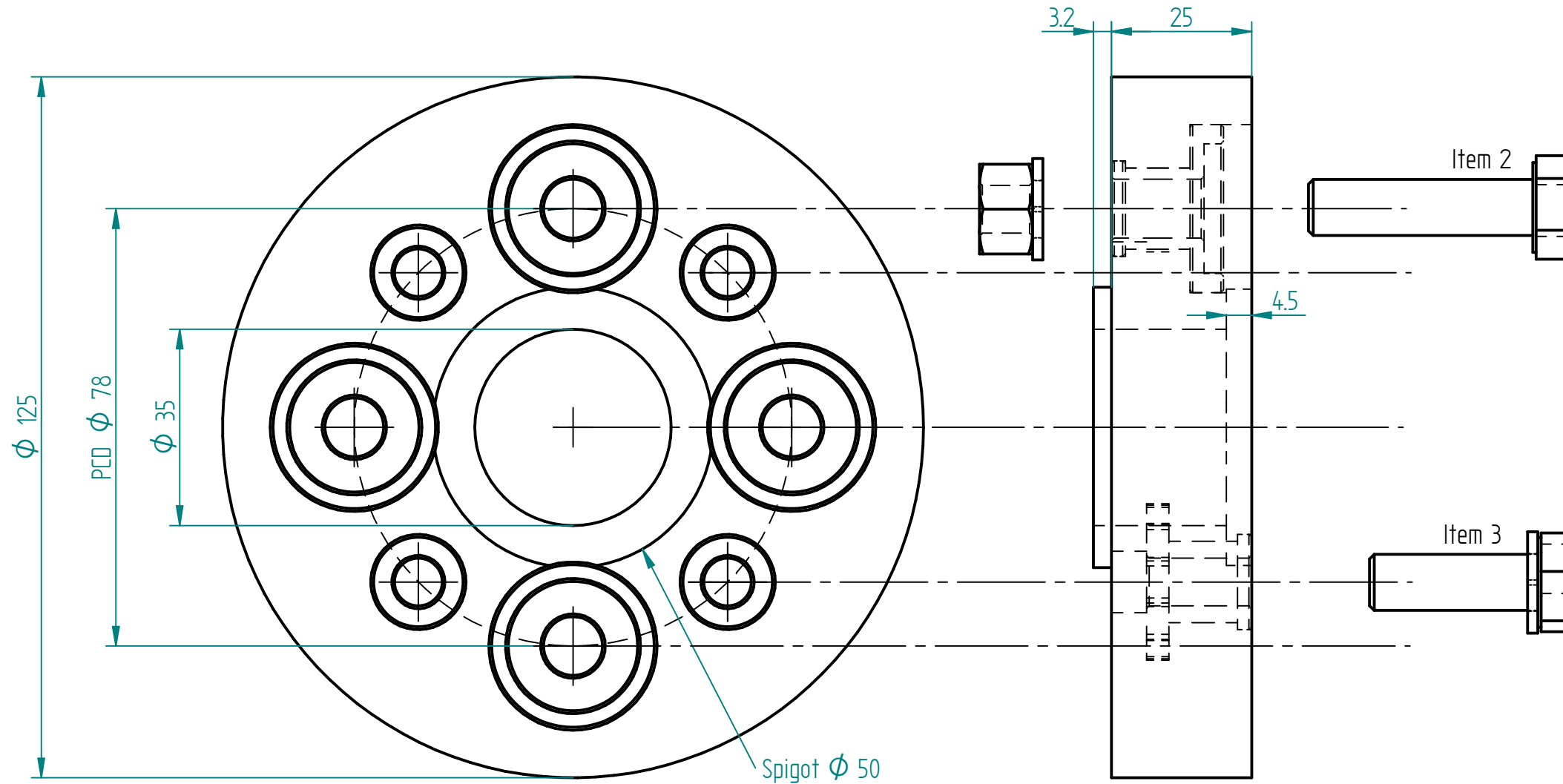


Item 1: High Tensile Engineering Polymer Disc - Red (90 SDH A)



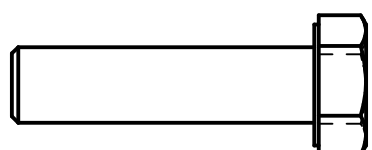
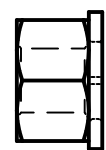
IFC-4200 Coupling Rating:
 -Pleasure Craft 680 Nm
 -Intermediate 600 Nm
 -Continuous 400 Nm

M10 Hex Bolt - AS1110 Prop. Cl. 8.8 Zinc Plated

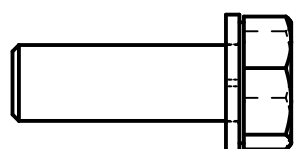
Bolt Shear Capacity 'Thread' = 26 kN
 Bolt Pattern Shear Capacity = 4056 Nm
 Bolt Pattern Design Torque = 1014 Nm

$$BDPT = \frac{1}{4} \times BPSC$$

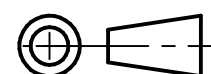
IFC-4200-90 Coupling Weight = 0.8 kg
 Moment of Inertia I = 0.00179 m⁴
 Average Torsional Stiffness = 23,812 Nm/rad



Item 2: M10 x 40 Hex Head Bolt, Nut & Spring Washer
 Qty: 4



Item 3: M10 x 30 Hex Head Setscrew & Spring Washer
 Qty: 4



Copyright © 2021 Isoflex Technologies PTY Ltd				
TITLE		IFC-4200 General Arrangement		
	NAME	DATE		
DRAWN	Matthew McCart	23/Mar/21		
CHECKED				
APPR				
UNLESS OTHERWISE SPECIFIED DIMENSIONS ARE IN MILLIMETERS		SIZE	DWG NO	REV
		A3	IFC-4200-GA	R3
DRAWING NOT TO SCALE SPECIFICATIONS SUBJECT TO CHANGE WITHOUT NOTICE		FILE NAME: IFC-4200-GA-R3.dft		
SCALE:	WEIGHT:	SHEET 1 OF 1		

