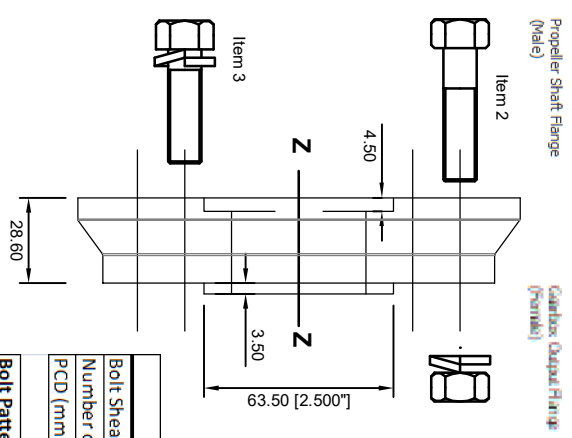
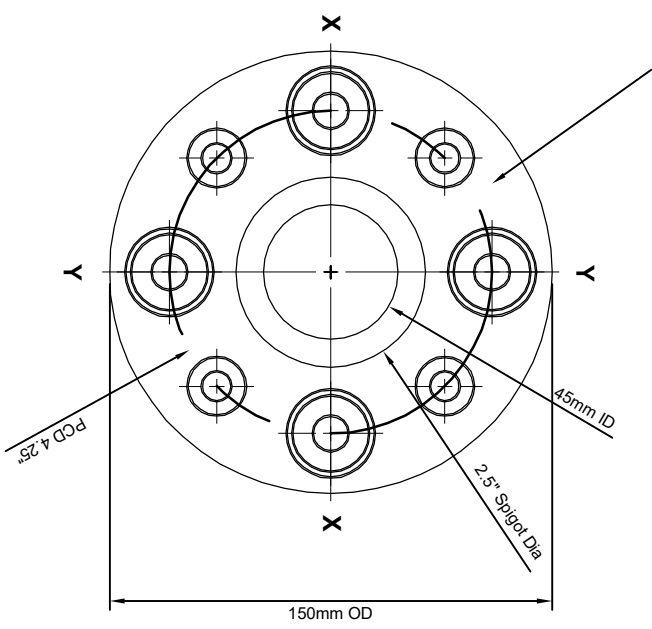


Item 1:
High Tensile, Heat Cured Polymer Disc - Black (95 Shore Durometer
Hardness A scale); 150 OD x 45 ID x 28.6 thick

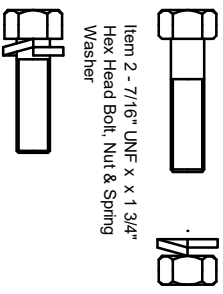


7/16" UNF Hex Bolts - A52465 Grade 5 - Zinc Plated	
Bolt Shear Capacity "Thread" = $n \times KN$	36 KN
Number of Bolts	4
PCD (mm)	108 mm
Bolt Pattern Design Torque [BPDT]	1943 Nm
where: BPDT = $1/4 \times$ Bolt Pattern Shear Capacity (Nm)	
Moment of Inertia: $I (m^4) =$	0.00309
Polar Mass Moment of Inertia: $J (Nm\text{-}sec^2) =$	0.00309
Ave Torsional Stiffness Nm/rad =	48152
IFC 4550 (95) coupling ratings*:	
Pressure craft Nm	740
Intermediate Nm	650
Continuous Nm	435

Note: Specifications subject to change without notice
* See rating schedule



IFC4550 (95) General Arrangement



Item 2 - 7/16" UNF x x 1 3/4"
Hex Head Bolt, Nut & Spring Washer

Item 3 - 7/16" UNF x 1 1/2"
Hex Head Setscrew & Spring Washer

Drawing Notes:

Drawing: NOT TO SCALE
Unless stated otherwise - dimensions are in millimeters (mm)

Copyright © 2019 Isoflex Technologies Pty Ltd

Drawing Number: IFC4550 (95) GA Rev1

Drawn: W Farmer

Date: 21 January 2019

