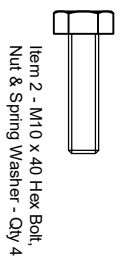
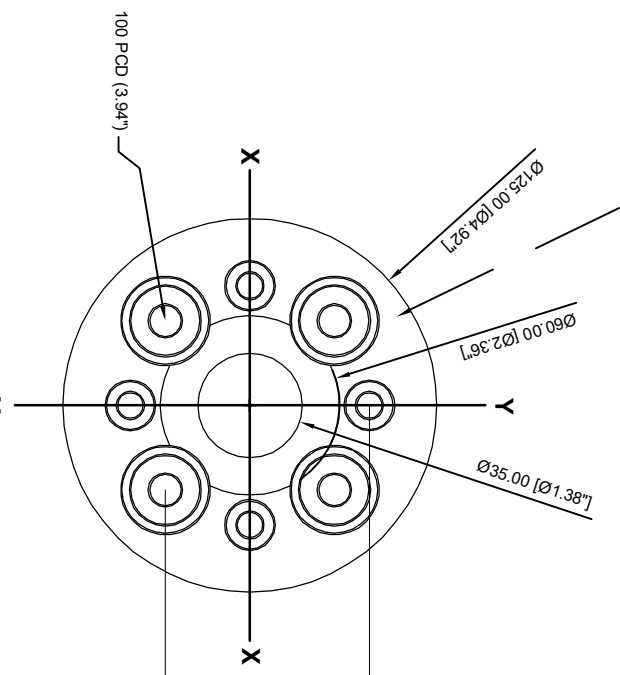
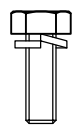


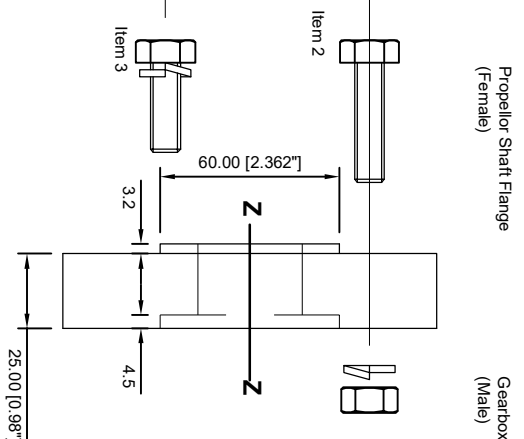
Item 1:
High Tensile, Heat Cured Polymer Disc: 125 OD x 36 ID x 25 thick
IFC4600 (95) - Black (95 Shore Durometer Hardness A scale)



Item 2 - M10 x 40 Hex Bolt,
 Nut & Spring Washer - Qty 4



Item 3 - M10 x 30 Hex Head
 Set Screw & Spring Washer -
 Qty 4



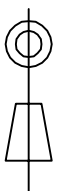
IFC4600 General Arrangement

Ratings*

640 Nm - (P)
560 Nm - (I)
375 Nm - (C)

M10 Hex Bolt - A51110 Prop. Cl. Grade / A52465 Grade 8 Zinc Plated	
Bolt Shear Capacity "Thread" = <i>mn</i> kN	26 kN
Number of Bolts	4
PCD (mm)	80.00 mm
Bolt Pattern Design Torque [BPDT]	1040 Nm
where: BPDT = 1/4 x Bolt Pattern Shear Capacity (Nm)	
Moment of Inertia: $I (m^4) =$	0.00141
Polar Mass Moment of Inertia: $J (Nm-sec^2) =$	0.00141
Ave T orsional Stiffness Nm/rad =	43089
Weight (kg)	0.80
IFC4600 (95) coupling ratings*: Pleasure craft Nm 640	
Intermediate Nm	560
Continuous Nm	375

Note: Specifications subject to change without notice
 * See rating schedule



Drawing Notes:

Drawing: **NOT TO SCALE**
 Unless stated otherwise - dimensions are in millimeters (mm)
 E&OE

Copyright © 2019 Isoflex Technologies Pty Ltd

Drawing Number: IFC4600 GA Rev1

Drawn: W Farmer

Date: 29 January 2019

