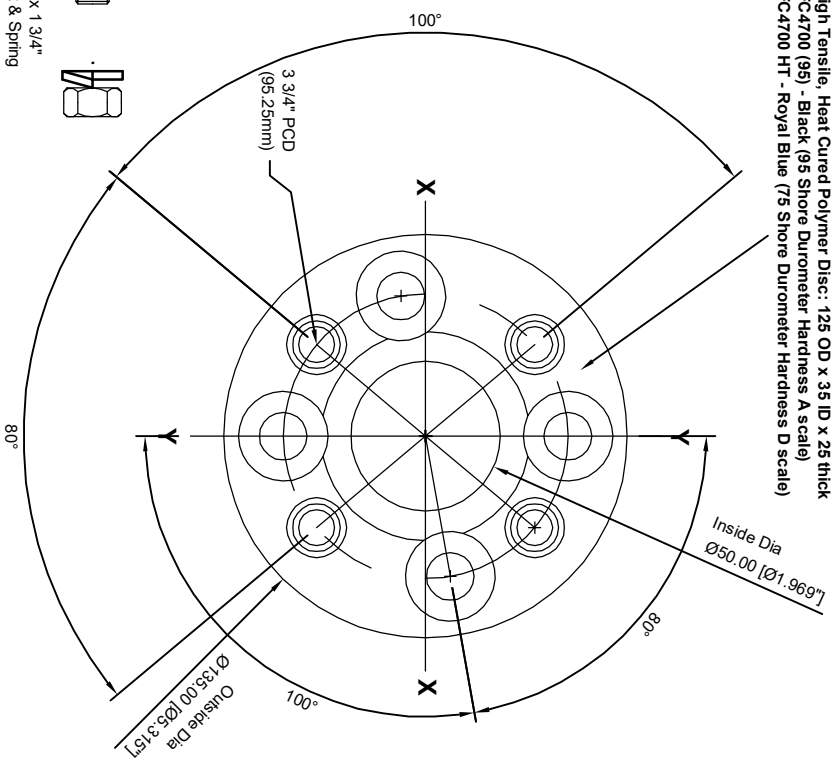


Item 1 -
 High Tensile, Heat Cured Polymer Disc: 125 OD x 35 ID x 25 thick
 IFC4700 (95) - Black (95 Shore Durometer Hardness A scale)
 IFC4700 HT - Royal Blue (75 Shore Durometer Hardness D scale)



- Item 2 - 7/16" UNF x 1 3/4"
Hex Head Bolt, Nut & Spring Washer
- Item 3 - 7/16" UNF x 1 1/2"
Hex Head Setscrew & Spring Washer

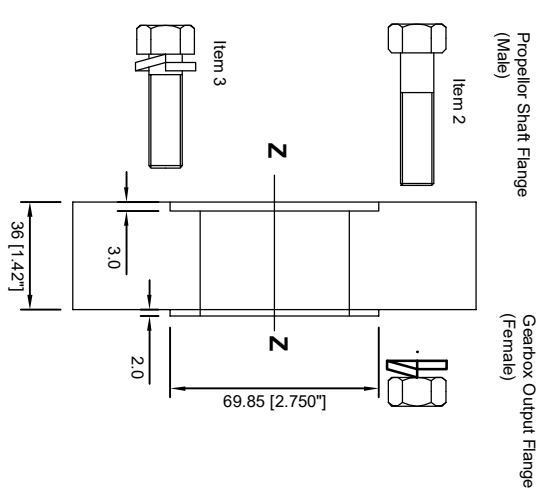
IFC4700 General Arrangement

(Suits Spicer Flange 1410)

All Chamfers are .5 x .5 unless stated.

Drawing Notes:

Drawing: NOT TO SCALE
 Unless stated otherwise - dimensions are in millimeters (mm)



IFC 4700 (95) coupling rating*: Pressure crat Nm 1000
 Intermediate Nm 900
 Continuous Nm 600

Moment of Inertia: I (m ⁴) =	0.00336
Polar Mass Moment of Inertia: J (Nm-sec ²) =	0.00336
Ave Torsional Stiffness Nm/rad =	13443

7/16" UNF hex bolts - AS 2465 Grade 5
 Bolt shear capacity, thread = 36 kN
 Bolt Pattern Shear Capacity = 5,855 Nm
 Bolt Pattern Design Torque = 1,715 Nm
 Where:
 Bolt Pattern Design Torque = 1/4 x Bolt Pattern Shear Capacity [Nm]

IFC 4700 HT coupling rating*: Pressure crat Nm 2100
 Intermediate Nm 1875
 Continuous Nm 1250

Moment of Inertia: I (m ⁴) =	0.00336
Polar Mass Moment of Inertia: J (Nm-sec ²) =	0.00336
Ave Torsional Stiffness Nm/rad =	67430

7/16" UNF hex bolts - AS 2465 Grade 8
 Bolt shear capacity, thread = 45 kN
 Bolt Pattern Shear Capacity = 8,572 Nm
 Bolt Pattern Design Torque = 2,143 Nm
 Where:
 Bolt Pattern Design Torque = 1/4 x Bolt Pattern Shear Capacity [Nm]

Note: Specifications subject to change without notice
 * See rating schedule



Copyright © 2014 Isoflex Technologies Pty Ltd

Drawing Number: IFC4700 GA Rev 3

Drawn: W Farmer

Date: 25 November 2014

