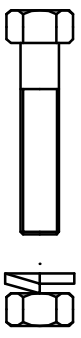
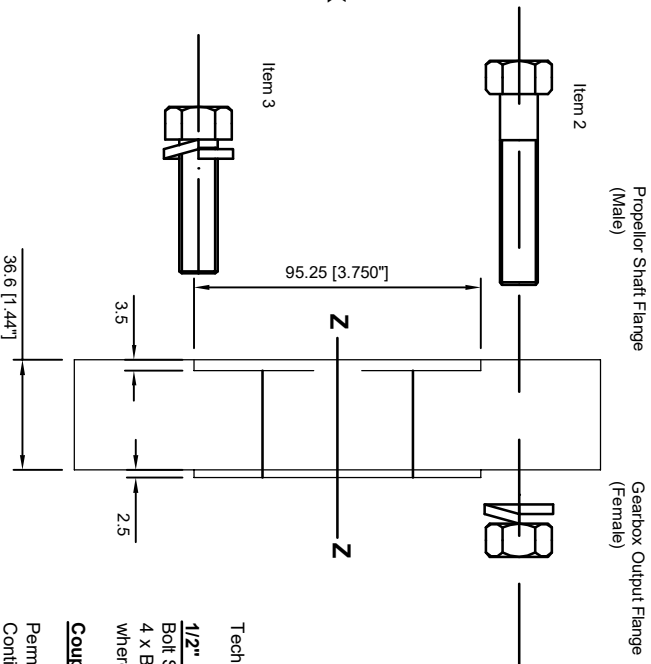
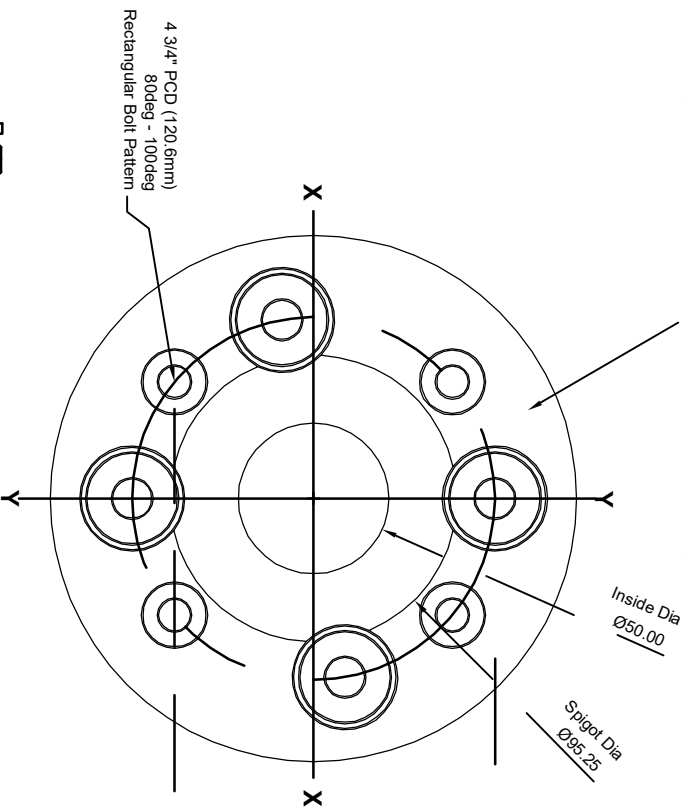
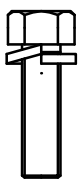


Item 1:
High Tensile, Heat Cured Polymer Disc: 175 OD x 50 ID x 36.5 thick
IFC4900 (95) - Black (95 Shore Durometer Hardness A scale)



Item 2 - 1/2" UNC x 2 1/2"
 Hex Head Bolt, Nut & Spring
 Washer



Item 3 - 1/2" UNC x 1 3/4"
 Hex Head Setscrew &
 Spring Washer

Ratings* 2000 Nm - (P)
 1800 Nm - (I)
 1200 Nm - (C)

IFC4900 General Arrangement

Technical Data:
1/2" UNC Hex Bolts - AS2465 Grade 8 - Zinc Plated
 Bolt Shear Capacity / 'Thread' = 52 KN
 4 x Bolt Pattern Design Torque [BPD_T] = 3137 Nm
 where: BPD_T = 1/4 x Bolt Pattern Shear Capacity (Nm)
Coupling IFC4900 (95): Rated Torque 310 Nm
 Permissible Torque Values (Nm):
 Continuous = 1200, Instantaneous = 2000, Maximum = 1800

CALCULATED DATA	
Moment of Inertia: I (m ⁴)=	0.00781
Polar Mass Moment of Inertia: J (Nm ²)=	0.00781
Ave Torsional Stiffness N/m/rad=	147200
Weight (kg)	2.090

Note: Specifications subject to change without notice
 * See rating schedule



Drawing Notes:

Drawing: NOT TO SCALE
 Unless stated otherwise - dimensions are in millimeters (mm)

Copyright © 2012 Isoflex Technologies Pty Ltd

Drawing Number: IFC4900 GA

Drawn: W Farmer

Date: 26 July 2012

