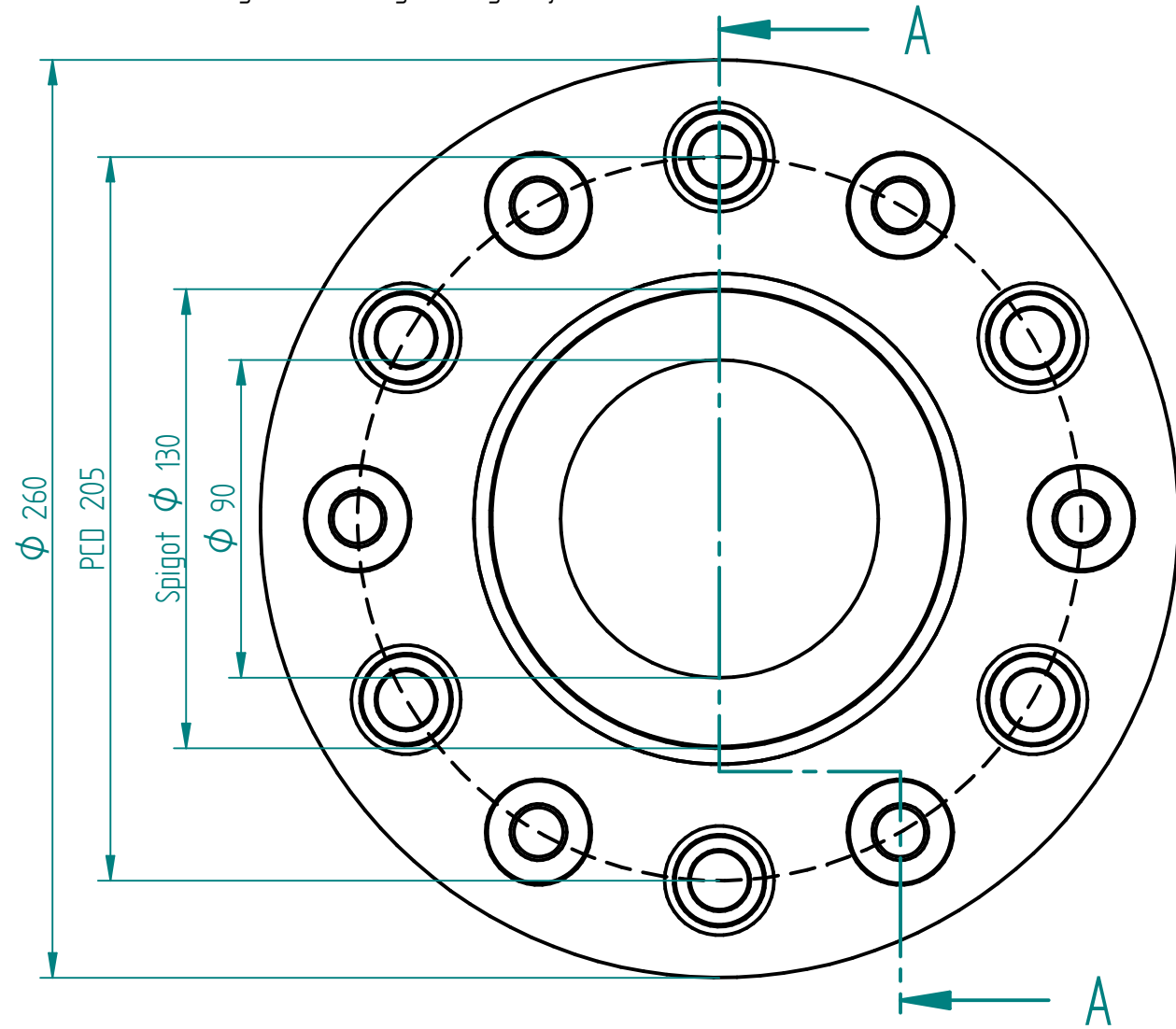
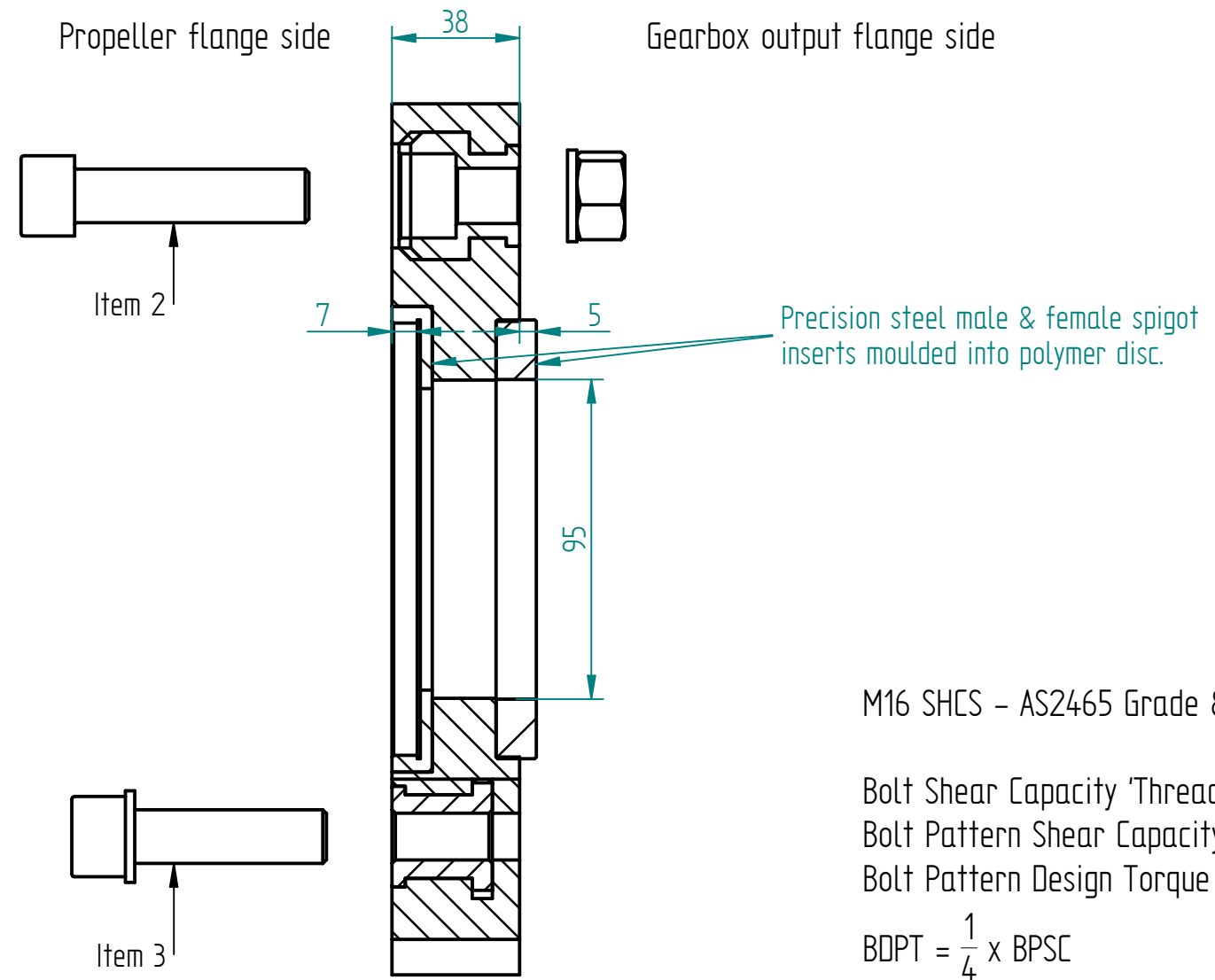


Item 1: High Tensile Engineering Polymer Disc



Propeller flange side

Gearbox output flange side



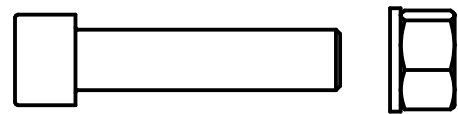
M16 SHCS - AS2465 Grade 8 Zinc Plated

Bolt Shear Capacity 'Thread' [BSC] = 94kN
 Bolt Pattern Shear Capacity [BPSC] = 57,810 Nm
 Bolt Pattern Design Torque [BPDT] = 14,452 Nm

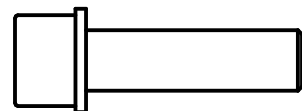
$$BDPT = \frac{1}{4} \times BPSC$$

IFC-6600-95 Coupling Ratings:
 Intermediate = 9,000 Nm
 Continuous = 6,000 Nm

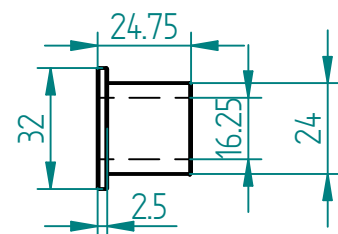
IFC-6600-95 Coupling Weight = 5.7 kg



Item 2: M16 x 70 SHCS, Nut and Spring Washer



Item 3: M16 x 60 SHCS and Spring Washer



Item 4: TBush Kit - 12 TB1624 supplied

IFC-6600-95

Copyright © 2020 Isoflex Technologies Pty Ltd				
TITLE		IFC6600-95 General Arrangement		
	NAME	DATE		
DRAWN	Matthew McCart	19/Oct/20		
CHECKED	-	-		
APPR	-	-		
UNLESS OTHERWISE SPECIFIED DIMENSIONS ARE IN MILLIMETERS		SIZE	DWG NO	REV
		A3	IFC6600-95	B1
SPECIFICATIONS SUBJECT TO CHANGE WITHOUT NOTICE		FILE NAME: IFC6600-95 General Arrangement_B1.dft		
SCALE: 1:2	WEIGHT:	SHEET 1 OF 1		

