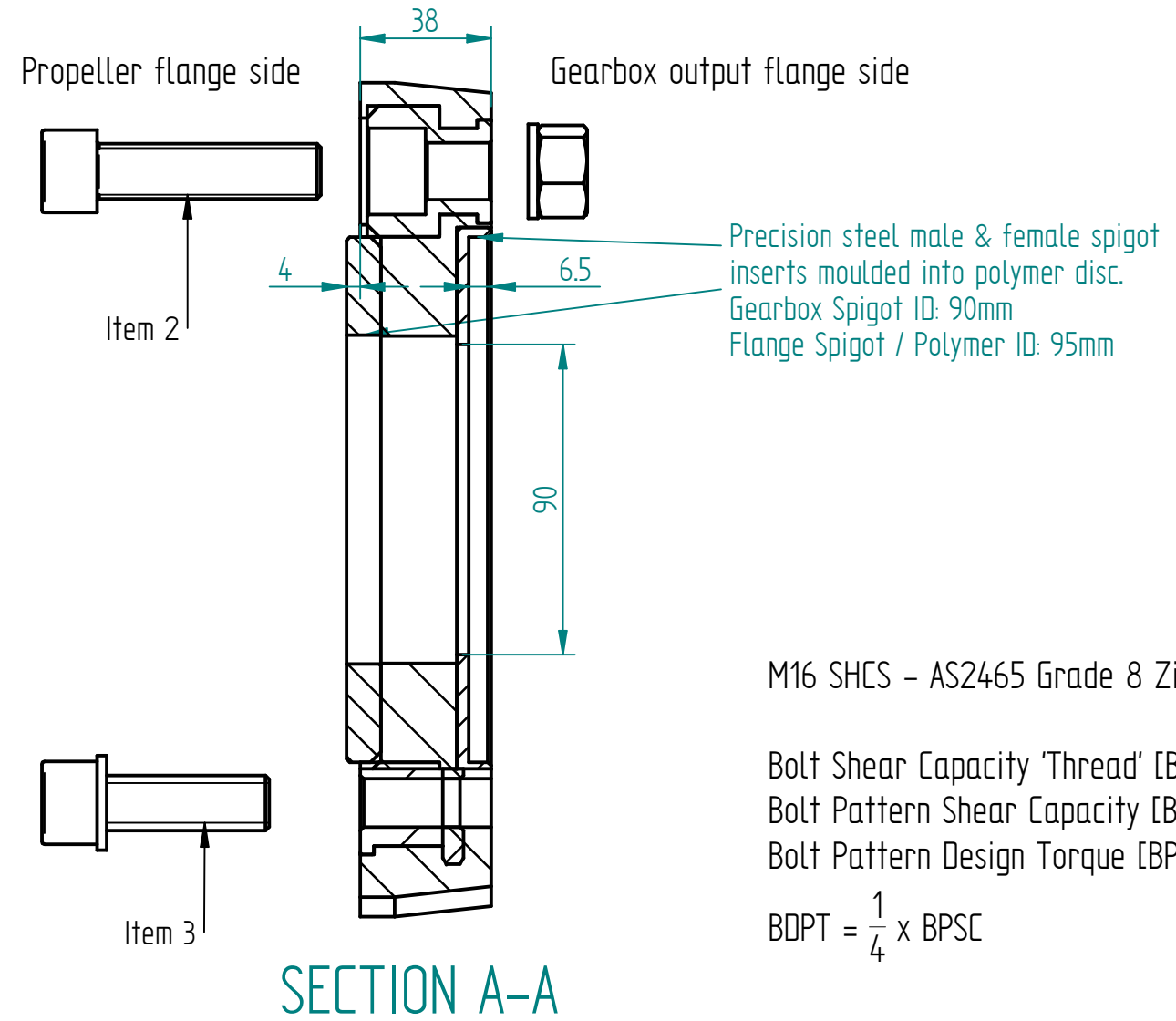
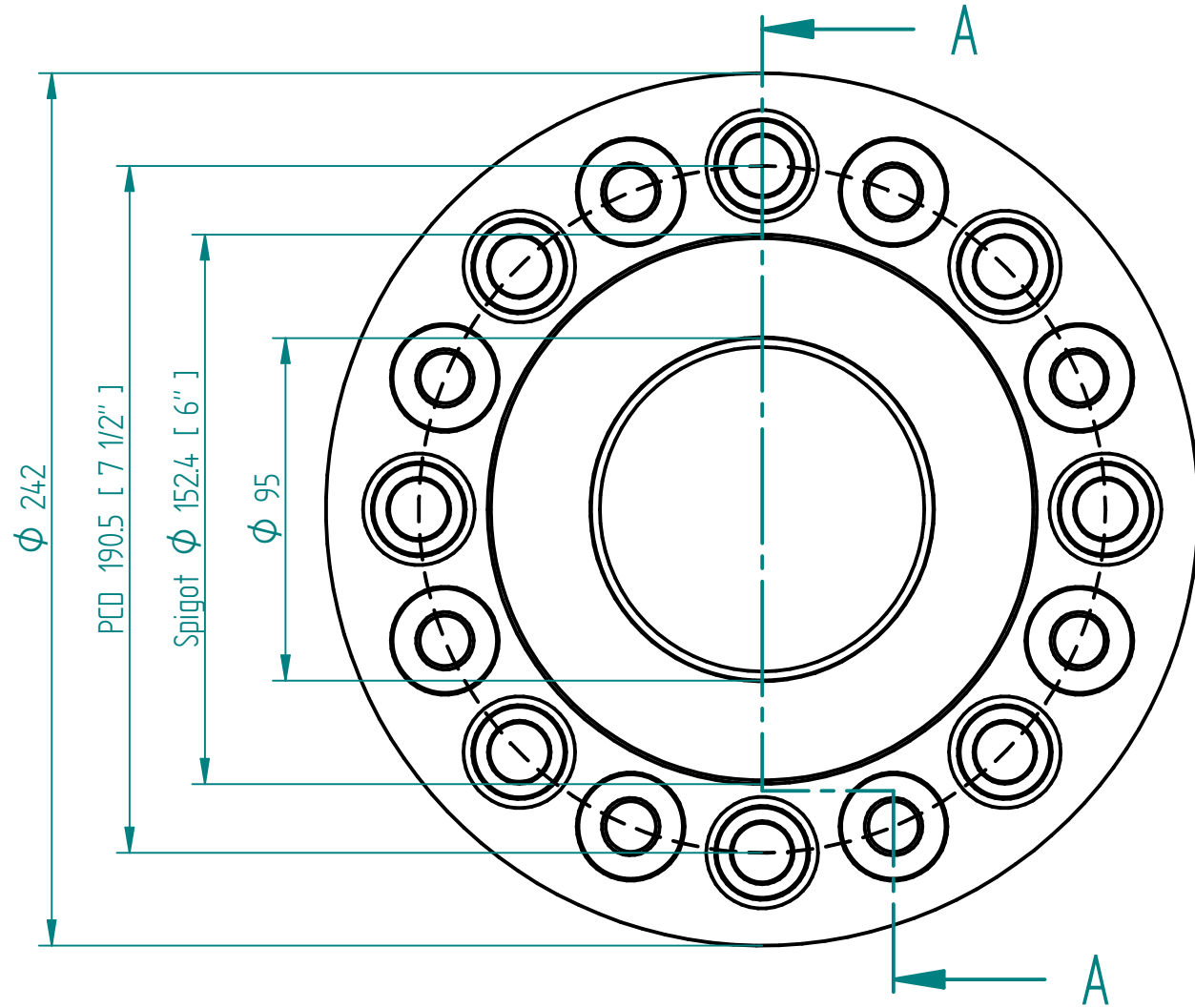


Item 1: High Tensile Engineering Polymer Disc



M16 SHCS - AS2465 Grade 8 Zinc Plated

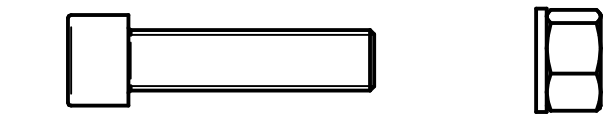
Bolt Shear Capacity 'Thread' [BSC] = 94kN
 Bolt Pattern Shear Capacity [BPSC] = 71,628 Nm
 Bolt Pattern Design Torque [BPDT] = 17,907 Nm

$$BDPT = \frac{1}{4} \times BPSC$$

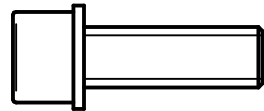
IFC-8200-HT Coupling Ratings:
 Intermediate = 11,850 Nm
 Continuous = 7,900 Nm

IFC-8200-HT Coupling Weight = 6.8 kg

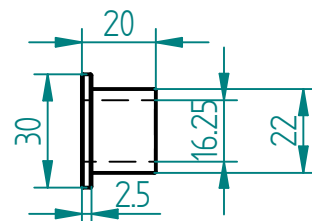
IFC-8200-HT



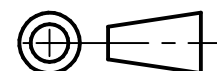
Item 2: M16 x 65 SHCS, Nut and Spring Washer



Item 3: M16 x 50 SHCS and Spring Washer



Optional T-bush Kit
 Part Number: TBush Kit 7/8 (ZP) 8 bolt



Copyright © 2020 Isoflex Technologies Pty Ltd				
TITLE		IFC8200-HT General Arrangement		
	NAME	DATE		
DRAWN	Matthew McCart	03/Sep/20		
CHECKED	-	-		
APPR	-	-		
UNLESS OTHERWISE SPECIFIED DIMENSIONS ARE IN MILLIMETERS		SIZE	DWG NO	REV
		A3	IFC8200-HT	B1
SPECIFICATIONS SUBJECT TO CHANGE WITHOUT NOTICE				
SCALE: 1:2		WEIGHT:		SHEET 1 OF 1

