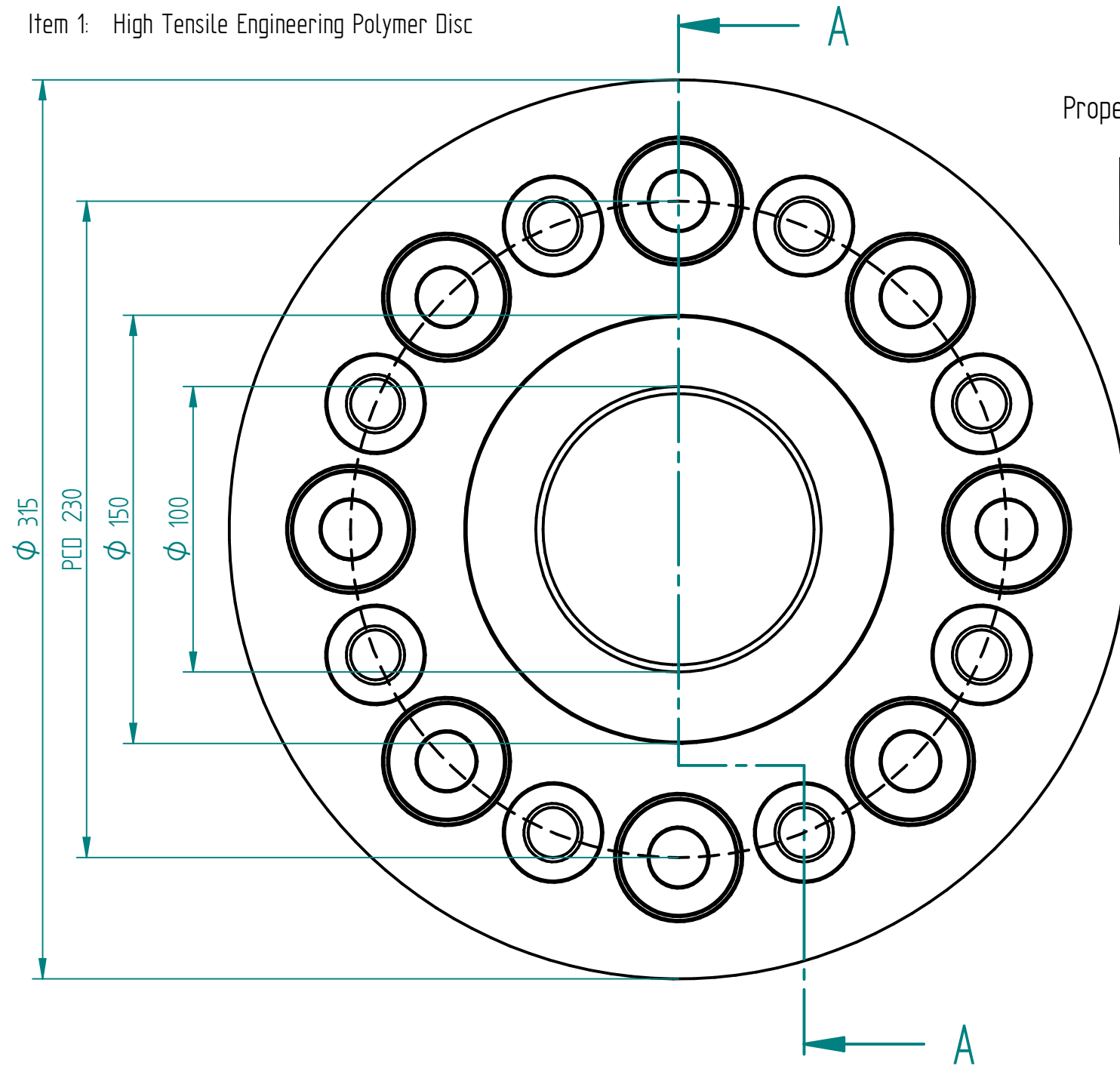
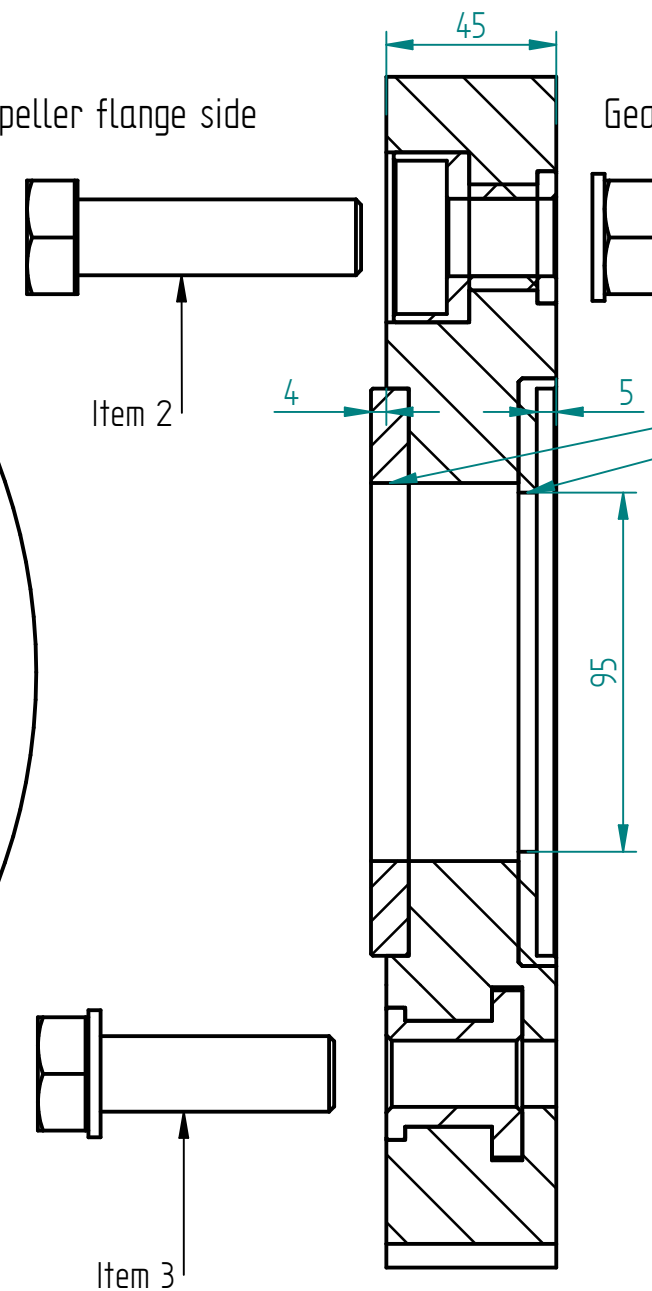


Item 1: High Tensile Engineering Polymer Disc



Propeller flange side

Gearbox output flange side



Precision steel male & female spigot inserts moulded into polymer disc.
Gearbox Spigot ID: 95mm
Flange Spigot / Polymer ID: 100mm

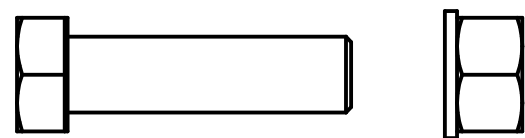
M20 Bolt - AS2465 Grade 8 Zinc Plated

Bolt Shear Capacity 'Thread' [BSC] = 146kN
Bolt Pattern Shear Capacity [BPSC] = 134,320 Nm
Bolt Pattern Design Torque [BPDT] = 33,580 Nm

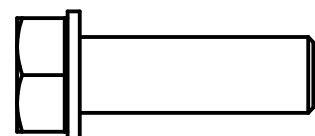
$$BDPT = \frac{1}{4} \times BPSC$$

IFC-8600-95 Coupling Ratings:
Intermediate = 12,975 Nm
Continuous = 8,650 Nm

IFC-8600-95 Coupling Weight = 11.4 kg

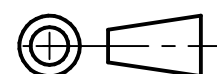


Item 2: M20 x 75 Hex Head Bolt, Nut and Spring Washer



Item 3: M20 x 65 Hex Head Bolt and Spring Washer

IFC-8600-95



Copyright © 2020 Isoflex Technologies Pty Ltd				
TITLE		IFC8600-95 General Arrangement		
	NAME	DATE		
DRAWN	Matthew McCart	07/Oct/20		
CHECKED	-	-		
APPR	-	-		
UNLESS OTHERWISE SPECIFIED DIMENSIONS ARE IN MILLIMETERS		SIZE	DWG NO	REV
		A3	IFC8600-95	B2
SPECIFICATIONS SUBJECT TO CHANGE WITHOUT NOTICE				
SCALE: 1:2		WEIGHT:		SHEET 1 OF 1

